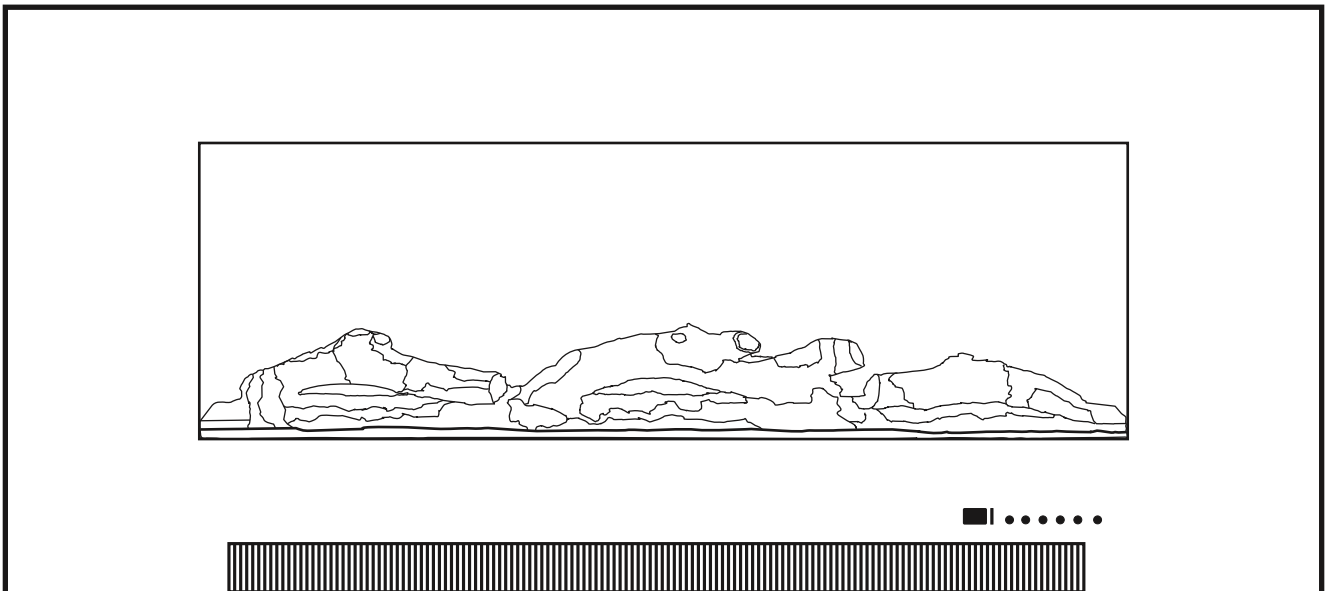




ITEM/ARTICLE/ARTICULO# - EF-WM362 MO, EF-WM363 MO, EF-WM364 MO, EF-WM365 MO
MODEL/MODÉLE/MODELO# - BLT-999W-13/42", BLT-999W-13/50", BLT-999W-13/60", BLT-999W-13/72"

Installation and Operation Instructions Instructions d'installation et d'utilisation Instrucciones de Instalación y Operación



Wall Mounted Electric LED Multicolor Fireplace with Remote
Foyer Électrique Mural À LED Multicolore avec Télécommande
Chimenea Multicolor Eléctrica LED para Pared con Control Remoto



Questions, problems, missing parts?

Before returning to your retailer, contact our exceptional customer service.

Contact us by email at customercare@jrhome.com or call us toll free at (800) 561-5550, 7:30 a.m. - 4:00 p.m., PT, Monday - Friday

Des questions, des problèmes, des pièces manquantes?

Avant de retourner chez votre détaillant, contactez notre excellent service à la clientèle.

Contactez-nous par email à customercare@jrhome.com ou appelez-nous sans frais à (800) 561-5550, 7:30 a.m. - 4:00 p.m., HAP, Lundi - Vendredi

Preguntas, problemas, partes faltantes?

Antes de regresar a su distribuidor, comuníquese con nuestro excelente servicio al cliente.

Comuníquese con nosotros por correo electrónico a customercare@jrhome.com o llámenos sin cargo al (800) 561-5550, de 7:30 a.m. a 4:00 p.m., PDT, de lunes a viernes



EN Tools Needed (not included)

FR Outils Nécessaires (non inclus)

ES Herramientas Necesarias (no incluido)

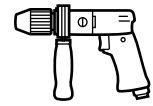


Stud finder
Localisateur de montants
Detector de vigas

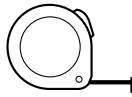


Ø 13/32" (10 mm)

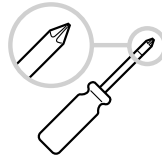
Drill bit
Foret
Broca de taladro



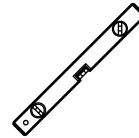
Power drill
Perceuse mécanique
Taladro



Measuring tape
Ruban de mesure
Cinta métrica



Cross-head screwdriver
Tournevis cruciforme
Destornillador Phillips



Spirit level
Niveau à alcool
Nivel de burbuja



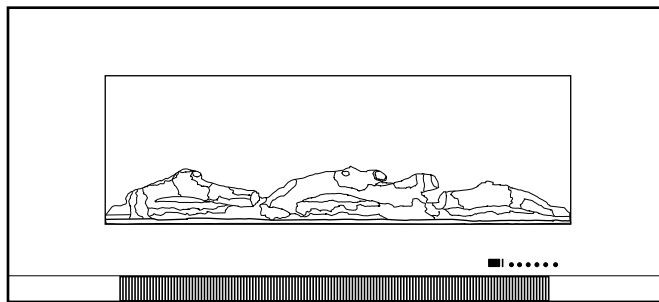
Pencil
Crayon
Lápiz



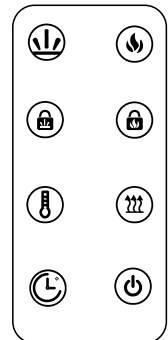
EN Delivery Content

FR Contenu du Colis

ES Contenido del paquete



A (x 1)



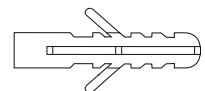
B (x 1)



C (x 1)



D (x 20)
Ø 4 mm x 40 mm



E (x 20)

Table of Contents

1. Important Safeguards	4
2. Battery Warnings	4
3. Grounding Instructions	5
4. Intended Use	6
5. Before First Use	6
6. Product Description	6
7. Installation Tips	6
8. Operation	7
8.1 Switching on/off	7
8.2 Setting temperature	7
8.3 Changing power level	7
8.4 Changing flame color	7
8.5 Changing ember color	7
8.6 Setting timer	7
8.7 Changing between Fahrenheit and Celsius	7
8.8 Changing between logs and crystals	7
9. Changing the Battery	8
10. Cleaning and Maintenance	8
10.1 Cleaning	8
10.2 Maintenance	8
11. Troubleshooting	8
12. Battery Disposal	8
13. Specifications	9
13.1 Remote control	9
14. Feedback and Help	9
15. Product Dimensions	10
16. Installation	11
16.1 Installation type	11



1. IMPORTANT SAFEGUARDS

When using electrical appliances, basic safety precautions should always be followed to reduce the risk of fire, electric shock, and/or injury to persons including the following:

⚠ WARNING Risk of fire!

In order to avoid overheating, do not cover the heater. Do not place objects in contact with the heater.

⚠ WARNING Risk of injury!

The appliance must not be used if the glass panel is damaged.

⚠ CAUTION Risk of burns!

Some parts of this product can become very hot and cause burns. Particular attention has to be given where children and vulnerable people are present.

- ▶ Read all instructions before using this heater.
- ▶ The power cord length is 6 feet (182.8 cm). Never use the product with an extension cord or relocatable power tap (outlet/power strip).
- ▶ This heater is hot when in use. To avoid burns, do not let bare skin touch hot surfaces. If provided, use handles when moving this heater. Keep combustible materials such as furniture, pillows, bedding, papers, clothes, curtains at least 3 feet (2 meter) from the front of the heater and keep away from the sides and rear.
- ▶ Extreme caution is necessary when any heater is used by or near children or invalids and whenever the heater is left operating and unattended.
- ▶ Do not operate any heater with a damaged cord or plug after the heater malfunctions, has been dropped or damaged by any manner. Discard heater or bring the heater to a professional repair center for examination and/or repair.
- ▶ Do not use outdoors.
- ▶ This heater is not intended for use in bathrooms, laundry areas and similar indoor locations. Never locate heater where it may fall into a bathtub or other water container.
- ▶ Connect to properly grounded outlets only.
- ▶ Do not insert or allow foreign objects to enter any ventilation or exhaust opening as this may cause an electric shock or fire, or damage the heater.

- ▶ To prevent a possible fire, do not block air intakes or exhaust in any manner. Do not use on soft surfaces, like a bed, where openings may become blocked.
- ▶ A heater has hot and arcing or sparking parts inside. Do not use it in areas where gasoline, paint or flammable liquids are used or stored.
- ▶ Use this heater only as described in this manual. Any other use not recommended by the manufacturer may cause fire, electric shock or injury to persons.

For wall installation A:

- ▶ Always unplug the appliance when not in use.
- ▶ To disconnect heater, turn controls to off, then remove plug from outlet.
- ▶ Do not run cord under carpeting. Do not cover cord with throw rugs, runners or similar coverings. Do not route cord under furniture or appliances. Arrange cord away from traffic area and where it will not be tripped over.
- ▶ Always plug heaters directly into a wall outlet/receptacle. Never use with an extension cord or relocatable power tap (outlet/power strip).
- ▶ This heater is fitted with a temperature limiting control. If the heater reaches an unsafe internal temperature of 239 °F (115 °C), the product automatically switches off. To reset, unplug the product from the socket outlet and wait 5 minutes before plugging it back in and switching on.

For recessed installation B and C:

- ▶ The socket outlet must be wired to a dedicated and accessible 16 A double pole switch in order to safely switch the product on/off.
- ▶ Always set the wall switch to off when not in use.
- ▶ This heater is fitted with a temperature limiting control. If the heater reaches an unsafe internal temperature of 239 °F (115 °C), the product automatically switches off. To reset, set the wall switch to off and wait 5 minutes before switching back on.

SAVE THESE INSTRUCTIONS

2. Battery Warnings

⚠ WARNING

- ▶ **INGESTION HAZARD:** This product contains a button cell or coin battery.
- ▶ **DEATH** or serious injury can occur if ingested.
- ▶ A swallowed button cell or coin battery can cause **Internal Chemical Burns** in as little as **2 hours**.
- ▶ **KEEP** new and used batteries **OUT OF THE REACH OF CHILDREN**.
- ▶ **Seek immediate medical attention** if a battery is suspected to be swallowed or inserted inside any part of the body.
- ▶ Immediately dispose of used batteries and keep away from children. Do **NOT** dispose of batteries in household trash.
- ▶ Even used batteries may cause severe injury or death.
- ▶ Call a local poison control centre for treatment information.



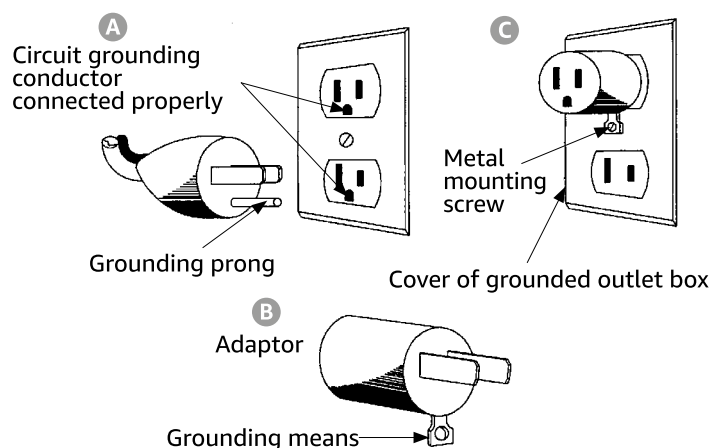
INGESTION HAZARD: This product contains a button cell or coin battery.

- ▶ Do not mix old and new batteries, different brands or types of batteries, such as alkaline, carbon-zinc, or rechargeable batteries.

- ▶ Remove and immediately discard batteries from equipment not used for an extended period of time.
- ▶ Non-rechargeable batteries are not to be recharged.
- ▶ Do not force discharge, recharge, disassemble, heat above (manufacturer's specified temperature rating) or incinerate. Doing so may result in injury due to venting, leakage or explosion resulting in chemical burns.
- ▶ **Keep batteries out of the reach of children.** *In particular, keep batteries which are considered swallowable out of the reach of children. In case of ingestion of a coin cell seek medical assistance promptly.*
- ▶ **Do not allow children to replace batteries without adult supervision.**
- ▶ **Always insert batteries correctly with regard to polarity (+ and -) marked on the battery and the equipment.** *When batteries are inserted in reverse they might be short-circuited or charged. This can cause overheating, leakage, venting, rupture, explosion, fire and personal injury.*
- ▶ **Do not short-circuit batteries.** *When the positive (+) and negative (-) terminals of a battery are in electrical contact with each other, the battery becomes short-circuited. For example loose batteries in a pocket with keys or coins, can be short-circuited. This can result in venting, leakage, explosion, fire and personal injury.*
- ▶ **Do not charge batteries.** *Attempting to charge a non-rechargeable (primary) battery can cause internal gas and/or heat generation resulting in leakage, venting, explosion, fire and personal injury.*
- ▶ **Do not force discharge batteries.** *When batteries are force discharged by means of an external power source the voltage of the battery will be forced below its design capability and gases will be generated inside the battery. This can result in leakage, venting, explosion, fire and personal injury.*
- ▶ **Exhausted batteries should be immediately removed from equipment and properly disposed of.** *When discharged batteries are kept in the equipment for a long time electrolyte leakage can occur causing damage to the equipment and/or personal injury.*
- ▶ **Do not heat batteries.** *When a battery is exposed to heat, leakage, venting, explosion or fire can occur and cause personal injury.*
- ▶ **Do not weld or solder directly to batteries.** *The heat from welding or soldering directly to a battery can cause leakage, venting, explosion or fire, and can cause personal injury.*
- ▶ **Do not dismantle batteries.** *When a battery is dismantled or taken apart, contact with the components can be harmful and can cause personal injury or fire.*
- ▶ **Do not deform batteries.** *Batteries should not be crushed, punctured, or otherwise mutilated. Such abuse can cause leakage, venting, explosion or fire and can cause personal injury.*
- ▶ **Do not dispose of batteries in fire.** *When batteries are disposed of in fire, the heat build-up can cause explosion and/or fire and personal injury. Do not incinerate batteries except for approved disposal in a controlled incinerator.*
- ▶ **A lithium battery with a damaged container should not be exposed to water.** *Lithium metal in contact with water can produce hydrogen gas, fire, explosion and/or cause personal injury.*
- ▶ **Do not encapsulate and/or modify batteries.** *Encapsulation of any other modification to a battery can result in blockage of the pressure relief mechanism(s) and subsequent explosion and personal injury. Advice from the battery manufacturer should be sought if it is considered necessary to make any modification.*

3. Grounding Instructions

This appliance must be grounded while in use to protect the operator from electrical shock. The appliance is equipped with a 3-conductor cord and a 3-prong grounding-type plug to fit the proper grounding-type receptacle. The appliance has a plug that looks like sketch A in the figure below. An adaptor, sketch B, should be used for connecting sketch-A plugs to two-prong receptacles. The grounding tab which extends from the adaptor must be connected to a permanent ground such as a properly grounded outlet box as shown in sketch C using a metal screw.



4. Intended Use

- ▶ This product is suitable for providing instant heat to warm up a room and also for visual ambiance. It is not intended for use as a primary heat source.
- ▶ This product is intended for household use only. It is not intended for commercial use.
- ▶ This product must be wall or recessed mounted. **IT IS NOT SUITABLE FOR USE AS A FREE STANDING APPLIANCE.** Operating the product in any other position could cause a hazard.
- ▶ No liability will be accepted for damages resulting from improper use or non-compliance with these instructions.

5. Before First Use

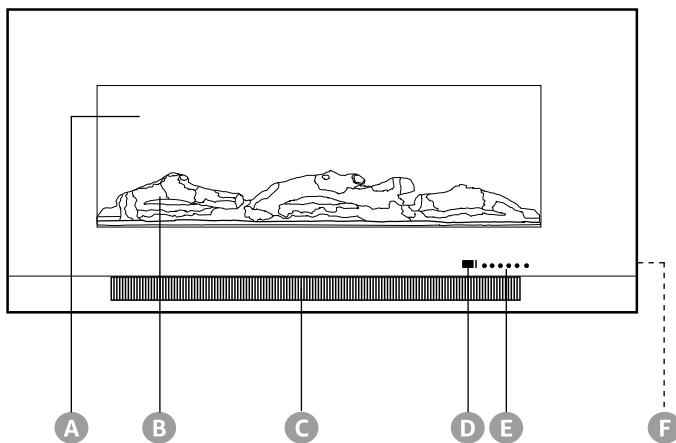
⚠ DANGER Risk of suffocation!

Keep any packaging materials away from children – these materials are a potential source of danger, e.g. suffocation.

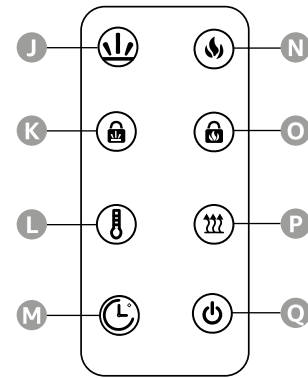
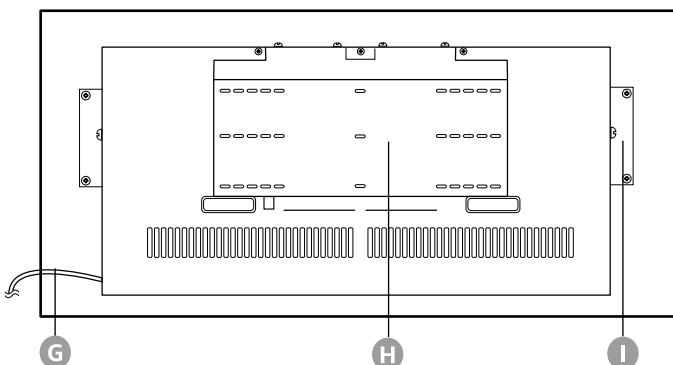
- ▶ Check the product for transport damages.
- ▶ It is recommended to have a dedicated 15 A circuit for the product.
- ▶ Remove all packing materials including packaging inside the firebox behind the glass display panel (A) as described in installation B step 1.
- ▶ Before connecting the product to the power supply, check that the power supply voltage and current rating corresponds with the power supply details shown on the product rating label.
- ▶ Remove the protective strip on the remote controls battery compartment.

6. Product Description

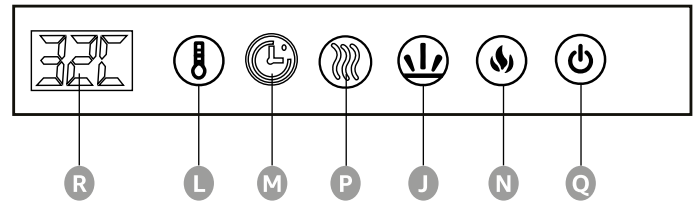
Front side



Back side



Touch controls



- A Display panel
- B Logs
- C Heating vents
- D Display
- E Touch controls
- F On/off switch
- G Power cord with plug
- H Wall mounting bracket
- I Inset mounting bracket
- J Ember color button
- K Ember lock button
- L Temperature button
- M Timer button
- N Flame color button
- O Flame lock button
- P Power level button
- Q Standby button

7. Installation Tips

⚠ WARNING

Failure to install the product as instructed may result in damage to the product and or may expose the user to the risk of fire, electric shock, or serious injury.

- ▶ This product should be installed and maintained only by an experienced adult. If in doubt, consult a professional.
- ▶ Before mounting, determine the suitable mounting location. The product must be fixed to a wooden or masonry/concrete wall using fasteners that are appropriate for the mounting surface.
- ▶ Do not install on drywalls, wall boards or thin plywood. The mounting surface must be capable of supporting the weight of the product.
- ▶ For best results, install the product out of direct sunlight.
- ▶ To avoid reconstruction install the product in a proximity of properly grounded socket outlet.

- Do not drill into any pipes or power lines beneath the surface during mounting holes preparation. Use voltage/metal detector.
- The wall mounting bracket (H) is attached to the product when delivered. Remove it before installation.

For recessed installation B: The socket outlet must be wired to an accessible 16 A double pole switch in order to safely switch the product on/off.

8. Operation

8.1 Switching on/off

- Connect the power cord with plug (G) to a suitable socket outlet.
- Set the power switch (F) to 'I' (product on). The product beeps and U1.2 shows on display (D). The product is now in standby mode.
- Press the standby button (Q) to switch on the product.

NOTICE The display goes off approximately 7 seconds after no other button is pressed.

- To switch off the product, press the standby button (Q) again.

NOTICE

- Pressing any button on the remote or touch controls (E) once, displays the current room temperature. To select any function, press the same button twice.
- There may be a trace of odor during the first few minutes of use, or after a period of storage. This is normal and quickly disappears.
- If the product is not in use for a long period:

For wall installation A: Set the power switch (F) to '0' and remove the plug (G) from the socket outlet.

For recessed installation B: Set the wall switch to off.

8.2 Setting temperature

- Press the temperature button (L) repeatedly until the desired temperature has been selected.
- The temperature range is between 62 - 86 °F (17 - 30 °C).
- When the room reaches the set temperature, the heating function stops automatically.
- If the product detects a drop in temperature, the heating function resumes automatically.

8.3 Changing power level

Press the power level button (P) to cycle through the different power settings. The display (D) show the below symbols to indicate the power level selected.

LO	650 W	Low power
HI	1300 W	High power

8.4 Changing flame color

- Press the flame color button (N) repeatedly until the desired color is selected.
- The display (D) shows the code to indicate the color selected.
- When using **F0** mode, press the flame lock button (O) at anytime to stop the loop. Press the flame lock button (O) again to resume.

F1	Orange
F2	Orange and green
F3	Green
F4	Green and blue
F5	Blue
F6	Blue and orange
F7	Blue, orange and green
F8	Blue and red
F9	Red
F0	Loop through all colors

8.5 Changing ember color

- Press the ember button (J) repeatedly until the desired color is selected.
- The display (D) shows the code to indicate the color selected.
- When using **C0** mode, press the charcoal lock button (K) at anytime to stop the loop. Press the ember lock button (K) again to resume.

C1	Red
C2	Blue
C3	Green
C4	Rose red
C5	Orange
C6	White
C7	Purple
C8	Yellow
C9	Light blue
C0	Loop through all colors

8.6 Setting timer

- Press the timer button (M) repeatedly until the desired time is selected.
- Display (D) shows the selected hour for 7 seconds, then displays room temperature. The timer automatically starts counting down.
- Timer function can be set between 1 - 9 hours.
- To turn off the timer, press the timer button (M) repeatedly until display (D) shows ---.

8.7 Changing between Fahrenheit and Celsius

- Press and hold the temperature button (L) on the control panel for 5 seconds.
- Display (D) changes to show the desired setting.
- Repeat the above steps to change back to original setting.

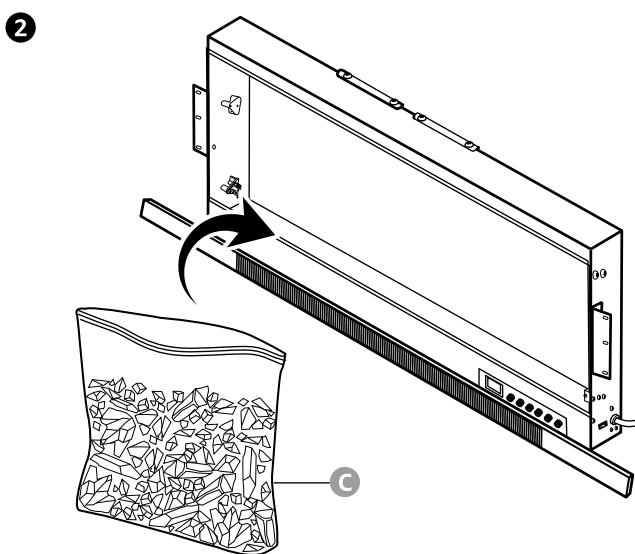
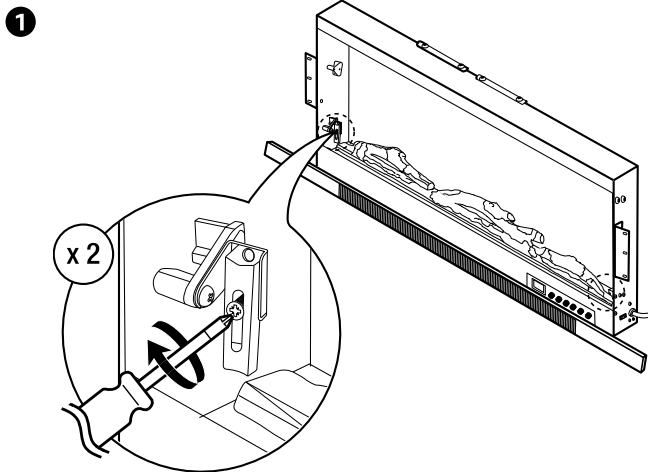
8.8 Changing between logs and crystals

WARNING Risk of burns!

Some parts of this product can become very hot and cause burns. Make sure the product has cooled down and/or off before changing the logs and crystals.

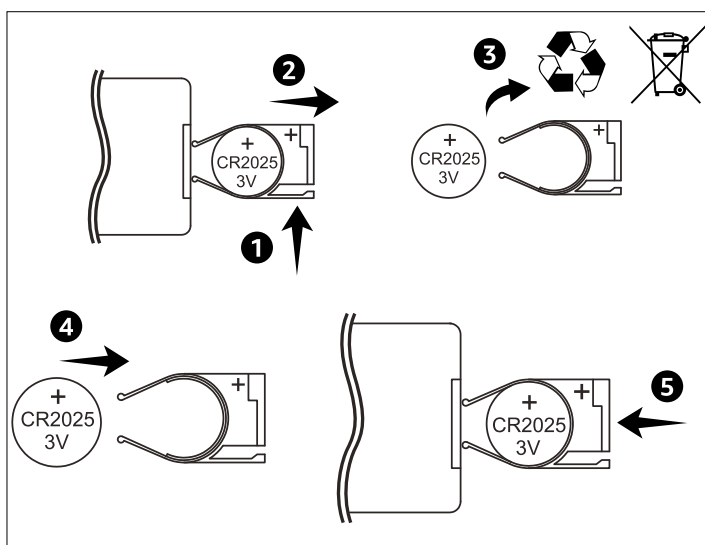
Change the look of the product by removing the installed logs (B) behind the display panel (A).

- Remove the display panel (A) as described in installation **B** step 1.
- Continue with the below 2 steps to remove the screws and logs, then place the crystals (C) along the display edge evenly.



9. Changing the Battery

1. Remove the battery holder from the remote control.
2. Replace the used battery with a new CR2025 3 V battery. The positive pole (+) must be pointing upwards.



10. Cleaning and Maintenance

⚠ WARNING Risk of electric shock! To prevent electric shock:

For wall installation A: Set the power switch (F) to '0' and remove the plug (G) from the socket outlet.

For recessed installation B and C: Set the wall switch to off.

10.1 Cleaning

NOTICE Clean the product regularly to prevent the build-up of hairs dust or lint around the heating vents (C), as this may cause the outlet to become blocked.

- ▶ To clean the product, wipe with a soft, slightly moist cloth.
- ▶ Never use corrosive detergents, wire brushes, abrasive scourers, metal or sharp utensils to clean the product.
- ▶ Do not spray liquids directly onto any surfaces of the product.


10.2 Maintenance

Any other servicing than mentioned in this manual should be performed by a qualified service personnel.

11. Troubleshooting

Problem	Solution
The product does not switch on.	<ul style="list-style-type: none"> ▶ Check if the power plug is connected to the socket outlet. Check if the socket outlet works. ▶ The product has overheated and the thermal safety device has activated. Switch off the product and switch back on after 10 minutes.
Flame on display panel does not move.	<ul style="list-style-type: none"> ▶ Flame motor faulty. Contact a qualified service personnel.
The product switches off automatically.	<ul style="list-style-type: none"> ▶ The product has overheated and the thermal safety device has activated. Switch off the product and switch back on after 10 minutes.
Remote control does not work.	<ul style="list-style-type: none"> ▶ Low battery. Change the battery. ▶ Standing too far from the product or an object is blocking the path. Move closer or to a clearer path. ▶ The product has not been switched on. Switch on the product from the on/off switch (F) or connect to the socket outlet.
Dim or poor visible flame or crystals are not glowing.	<ul style="list-style-type: none"> ▶ The products LED lights are burnt out or wiring is loose. Contact a qualified service personnel.


12. Battery Disposal

 Do not dispose of used batteries with your household waste. Take them to an appropriate disposal/collection site.

13. Specifications

Model number:	BLT-999W-13/42"/EF-WM362 MO BLT-999W-13/50"/EF-WM363 MO BLT-999W-13/60"/EF-WM364 MO BLT-999W-13/72" / EF-WM365 MO
Rated voltage:	120 V AC 60 Hz
Power consumption per setting:	Lo: 650 W (0.65 kW/hour) Hi: 1300 W (1.3 kW/hour)

13.1 Remote control

Voltage/battery type:	3 V  , 1 x CR2025 (Lithium)
Range:	16 feet (5 meters) without obstruction

14. Feedback and Help

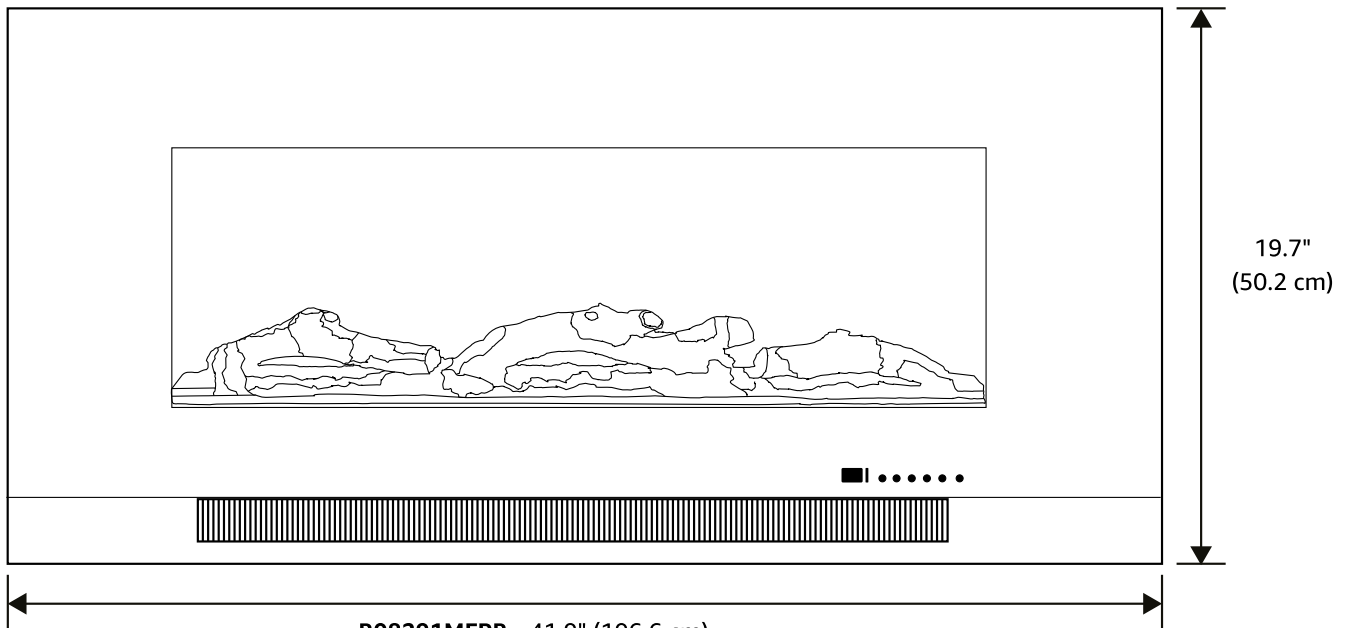
Extend Your Warranty By Leaving A Review

We want your opinion about your purchase...and we want you to tell everyone about it!

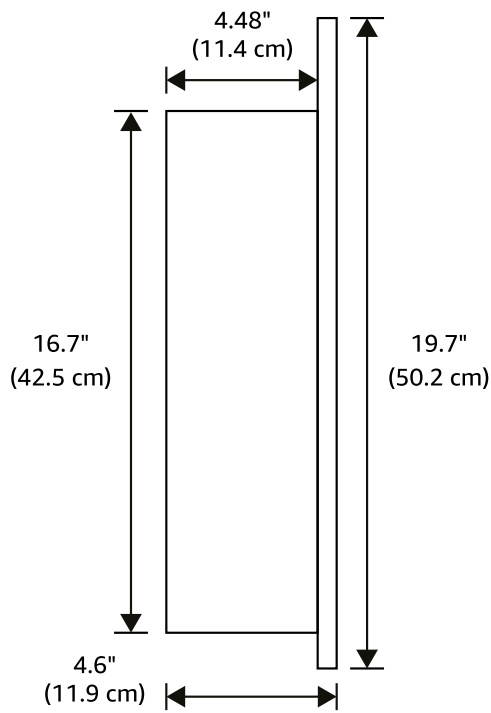
Just leave a review for the product on the retailers website where you made your purchase, or at www.jrhome.com, and fill in the online warranty at <https://www.jrhome.com/warranty-registration> to receive a complimentary extra year of warranty protection.

Contact us by email at customercare@jrhome.com or call us toll free at **(800) 561-5550, 7:30 a.m. - 4:00 p.m., PT, Monday - Friday**

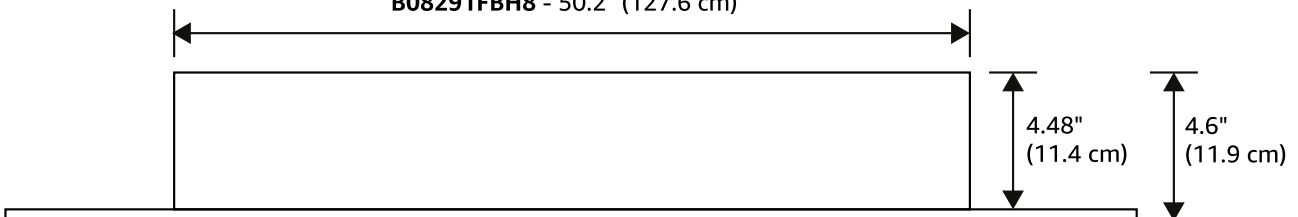
15. Product Dimensions



B08291MFPB - 41.9" (106.6 cm)
B08291VM5W - 50" (127 cm)
B08291FBH8 - 60" (152.4 cm)

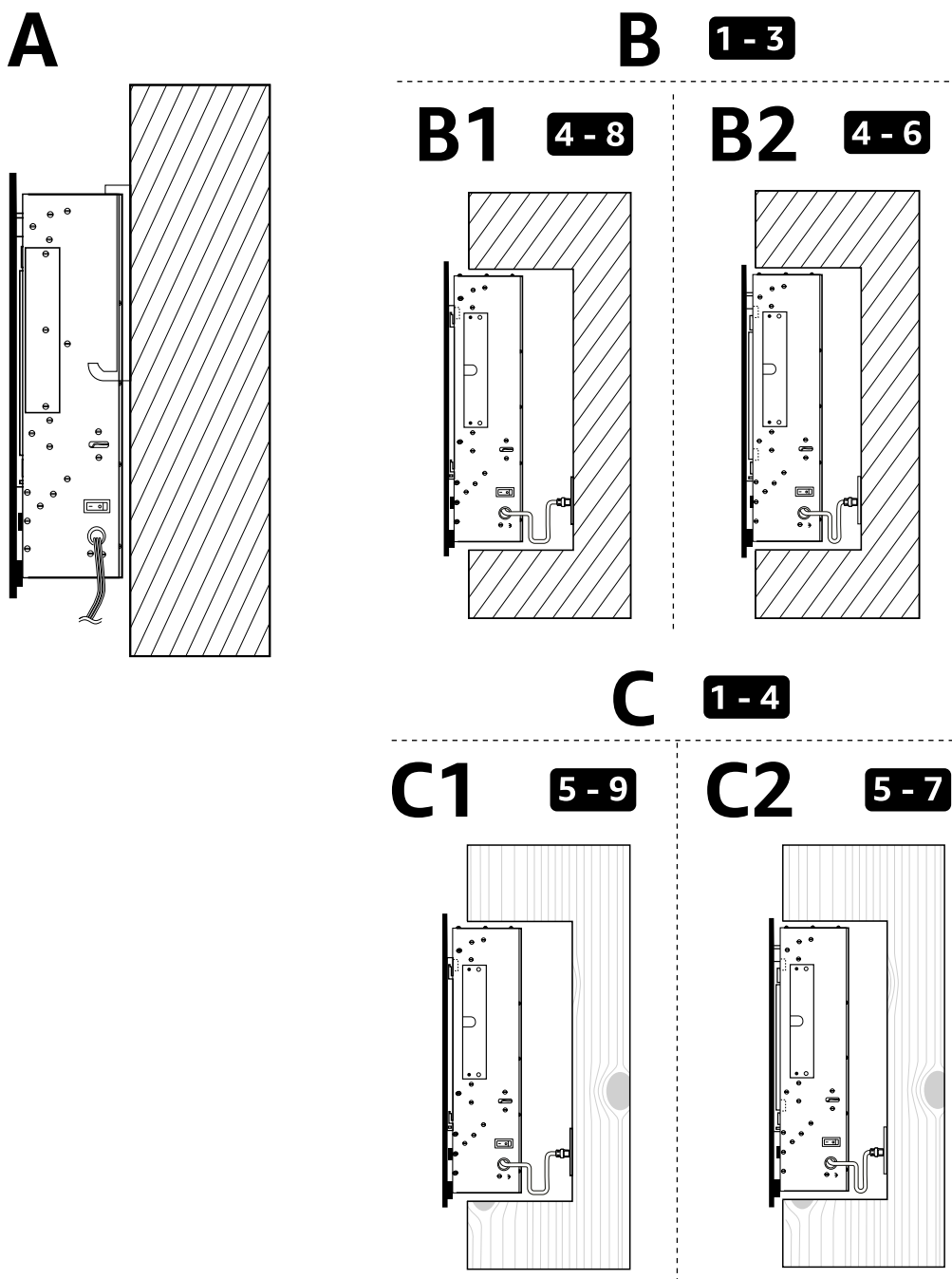


B08291MFPB - 32" (81.5cm)
B08291VM5W - 40.2" (102.2 cm)
B08291FBH8 - 50.2" (127.6 cm)



16. Installation

16.1 Installation type



A Surface Mount

B1 Partial Recess - Drywall

B2 Fully Recessed - Drywall

C1 Partial Recess - Wood stud

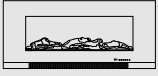
C2 Fully Recessed - Wood stud



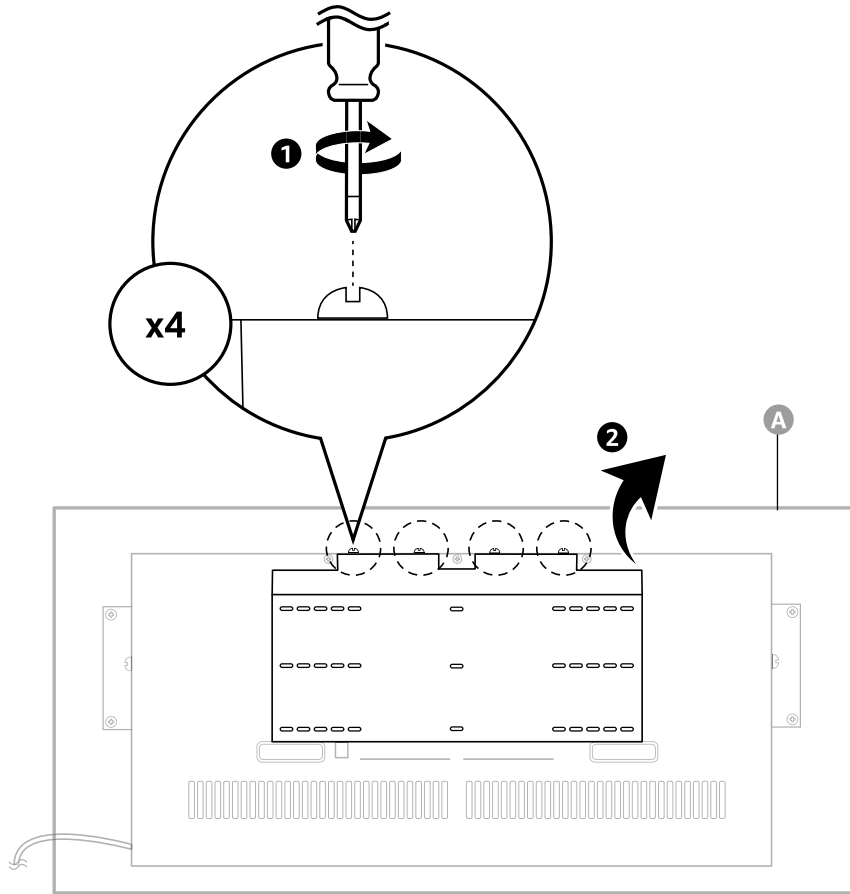
EN Assembly

A

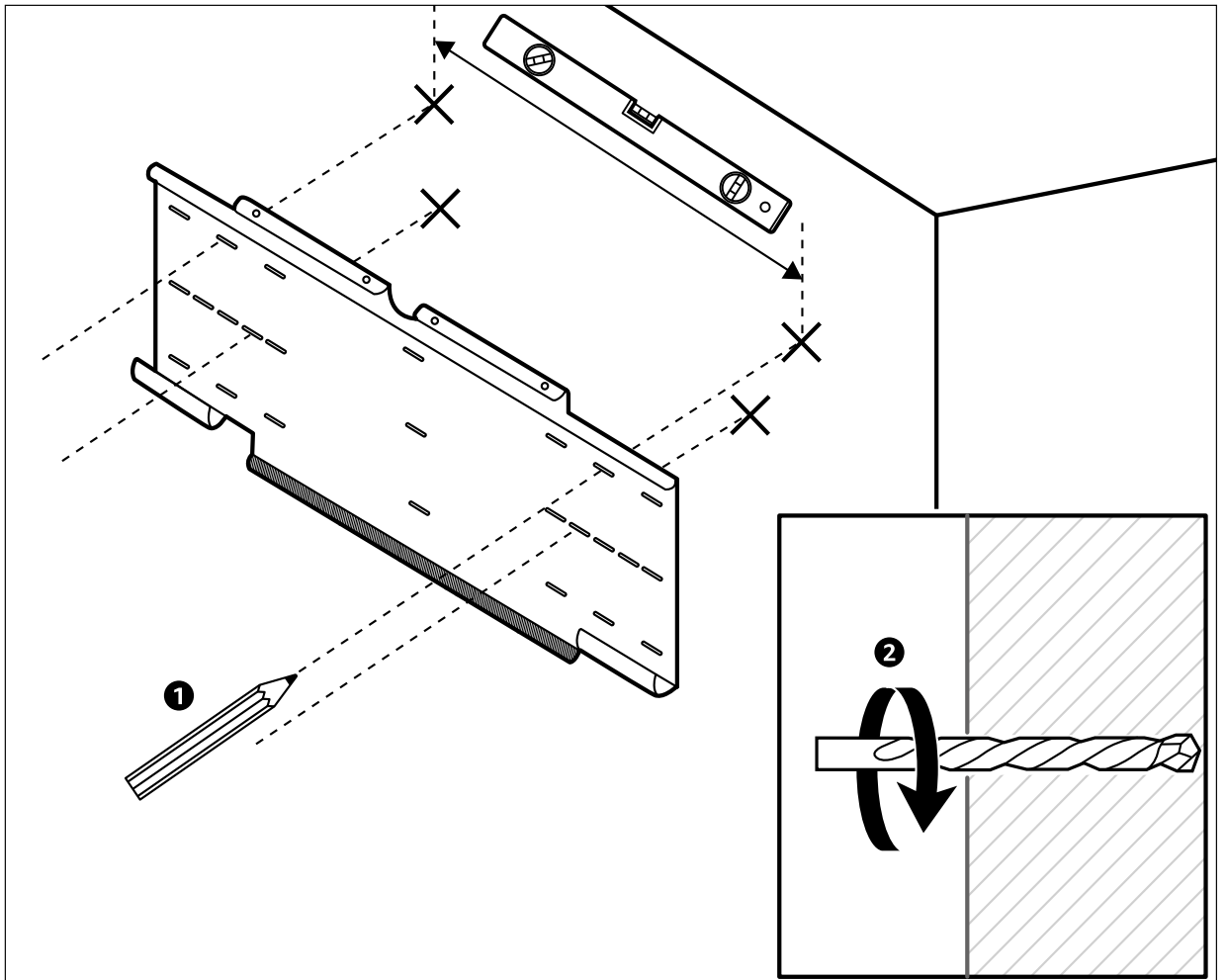
1



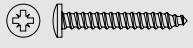
A (x 1)



2



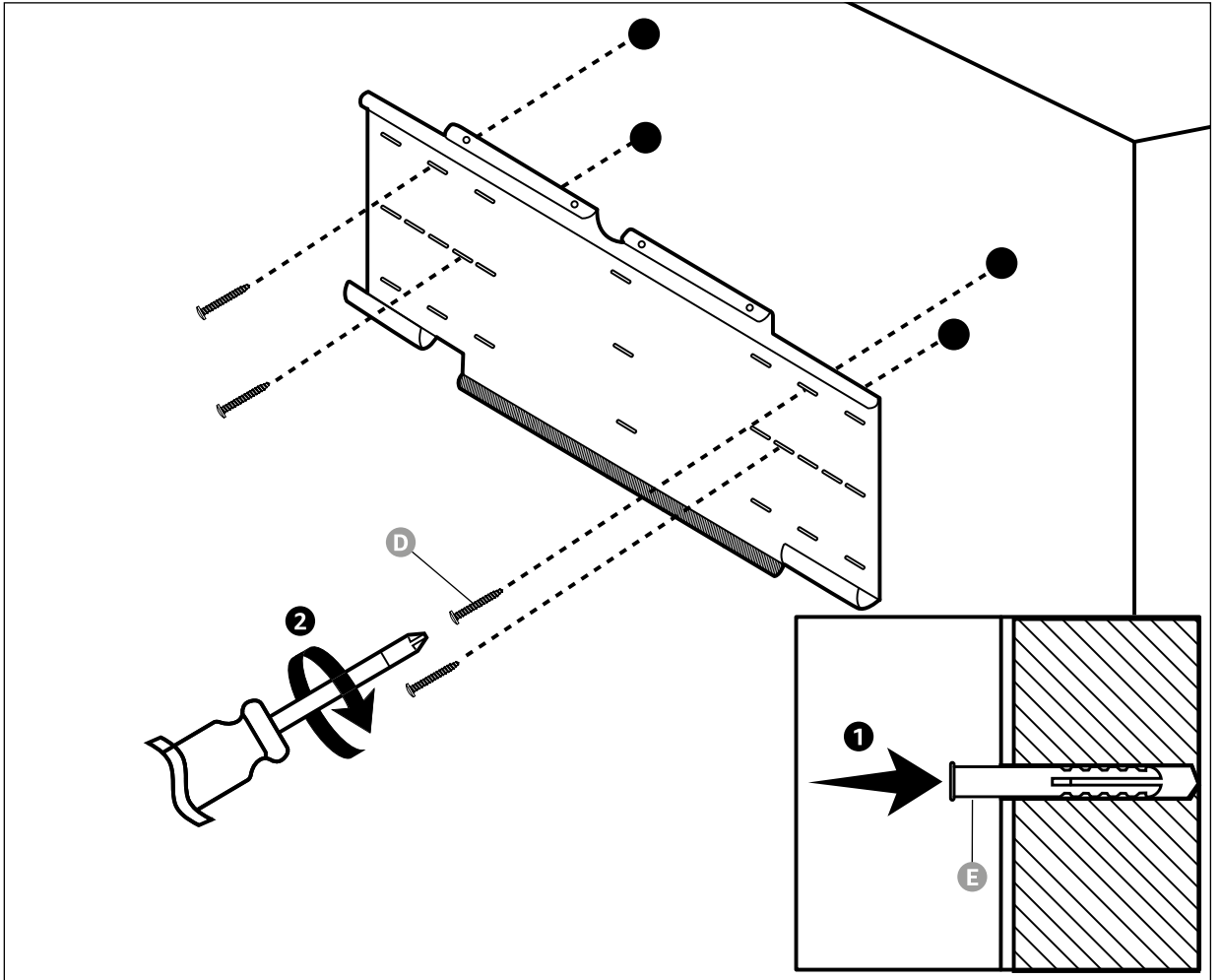
3



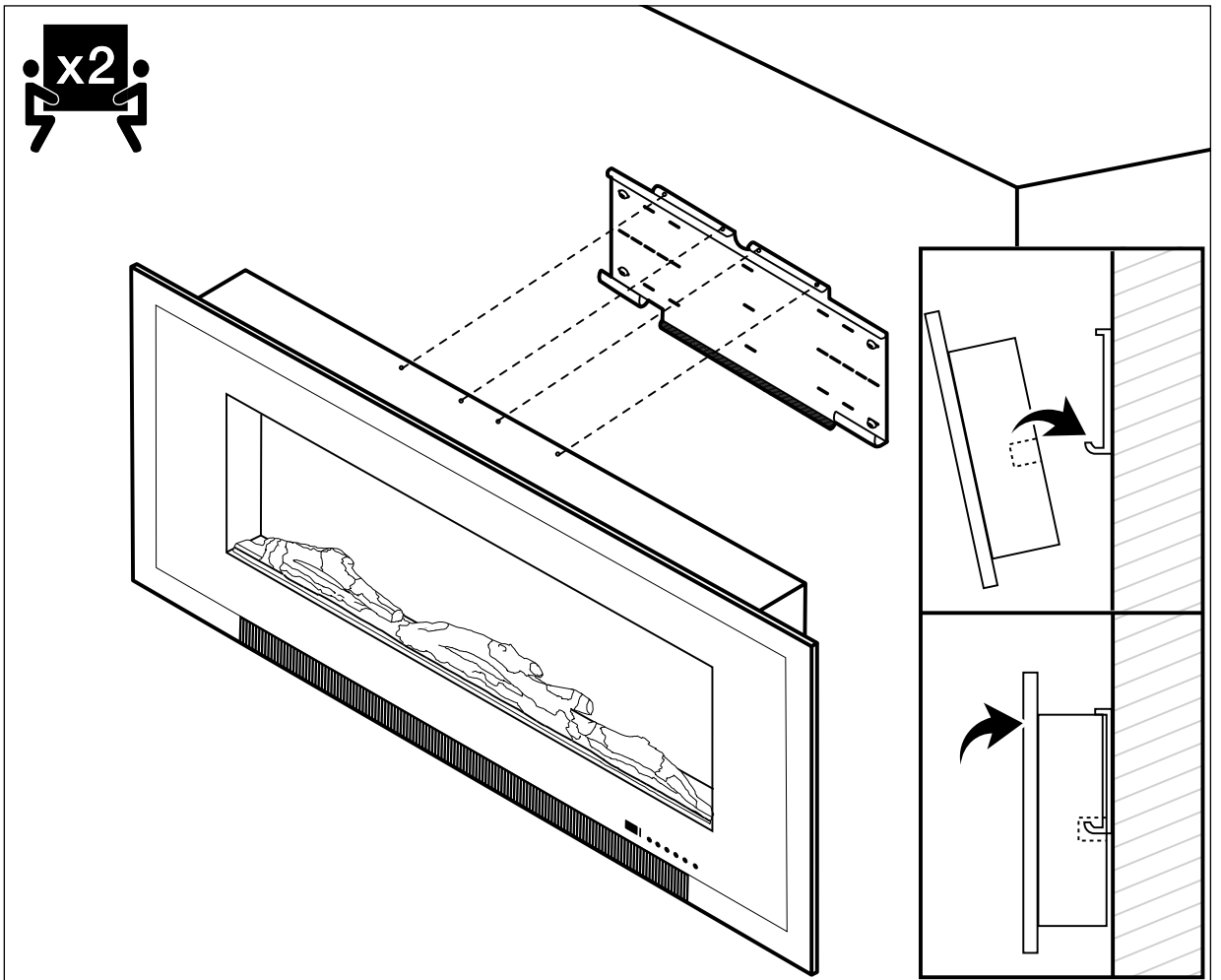
D (x 4)



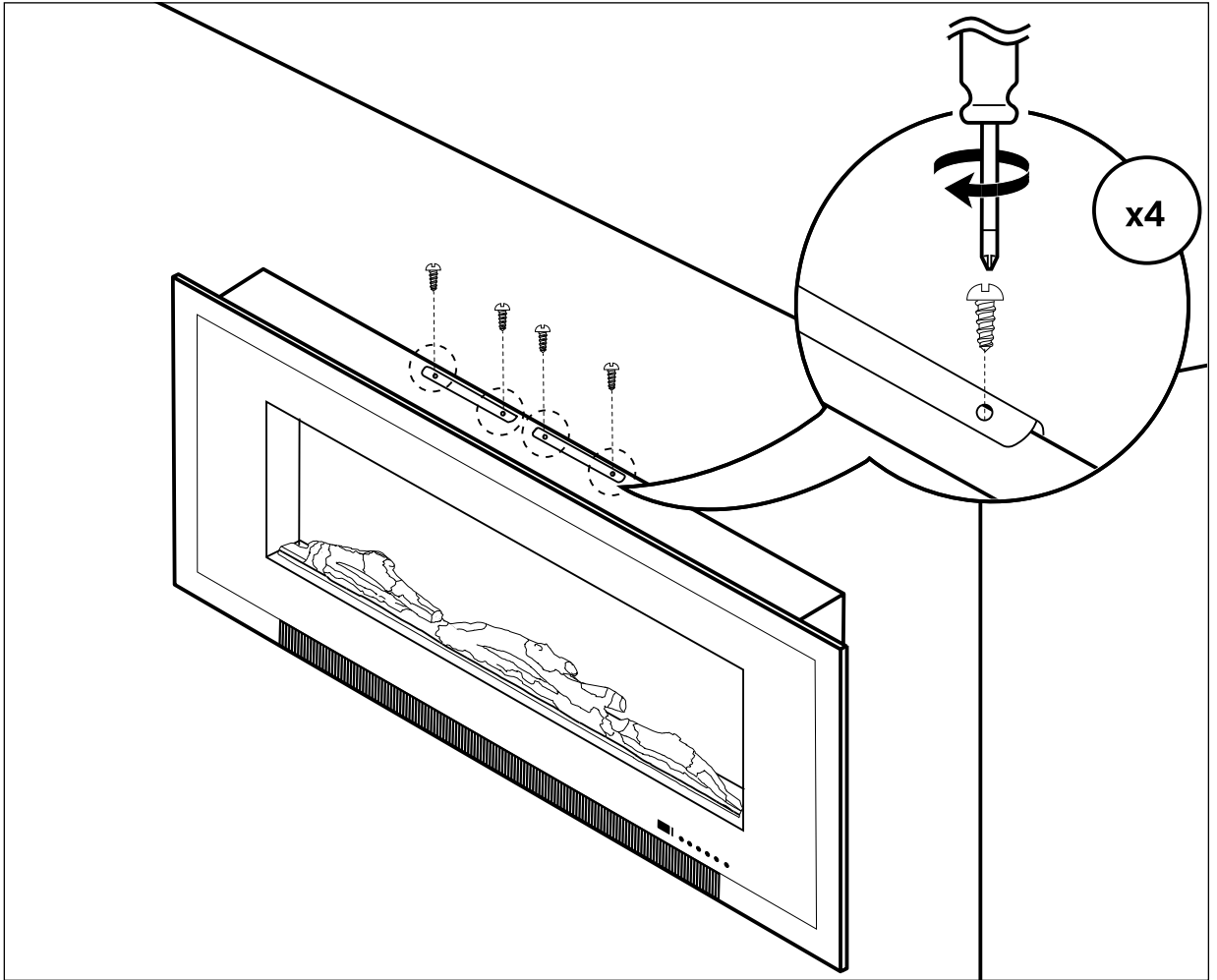
E (x 4)



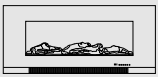
4



5

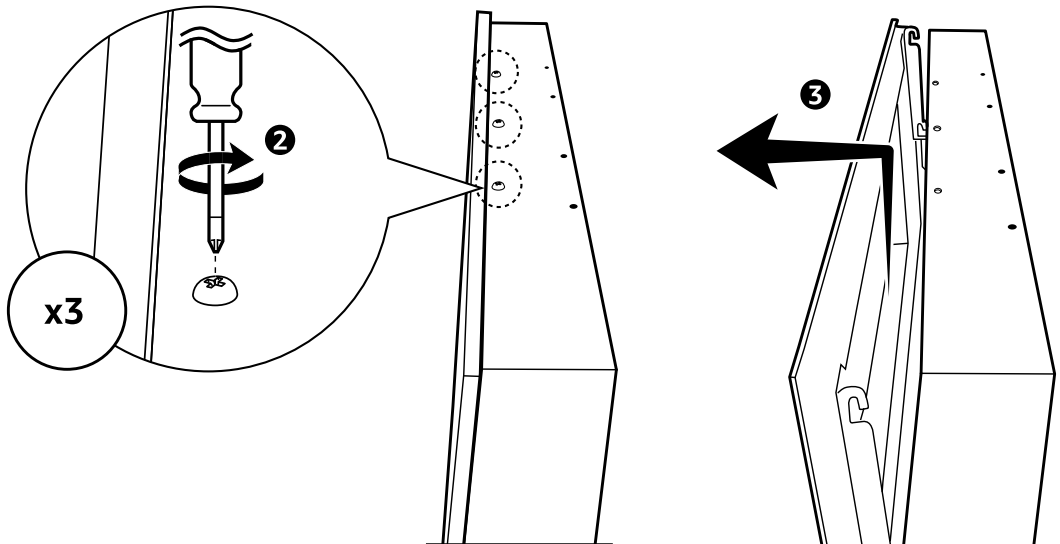
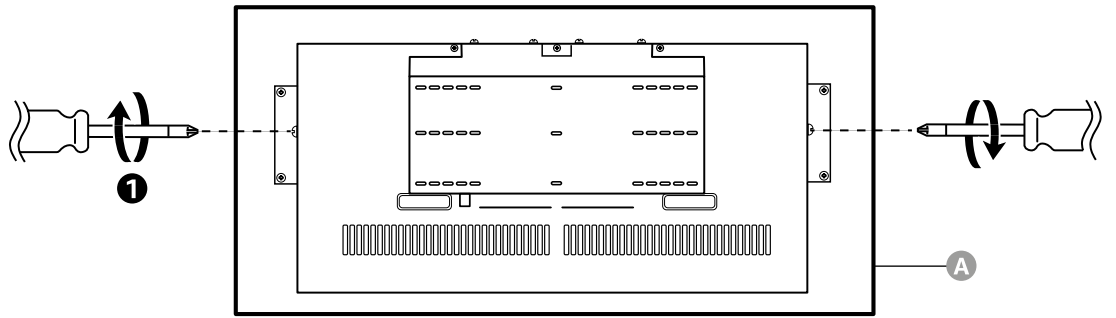


1



A (x 1)

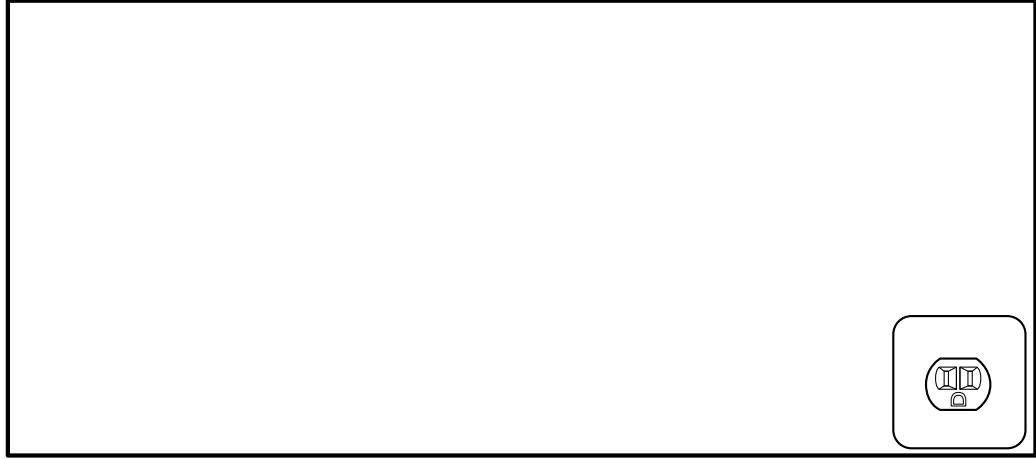
B



2

NOTICE A dedicated socket outlet must be installed inside the recessed wall opening. Keep at least 3.9" (10 cm) spacing between the back of the product and a socket outlet. The socket outlet must be wired to an accessible 16 A double pole switch. Contact a professional electrician if in doubt.

NOTICE Set the power switch to 'I' (product on) before fixing the product into the recessed wall opening.

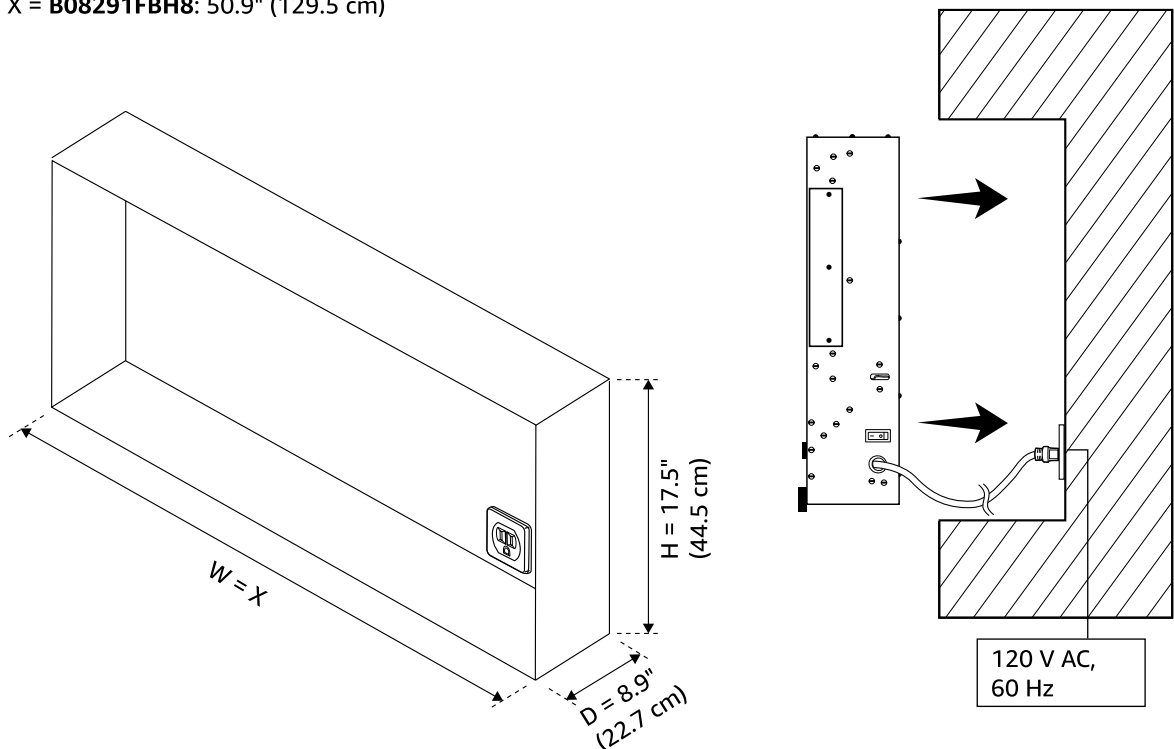


3

X = B08291MFPB: 32.8" (83.4 cm)

X = B08291VM5W: 40.9" (104.1 cm)

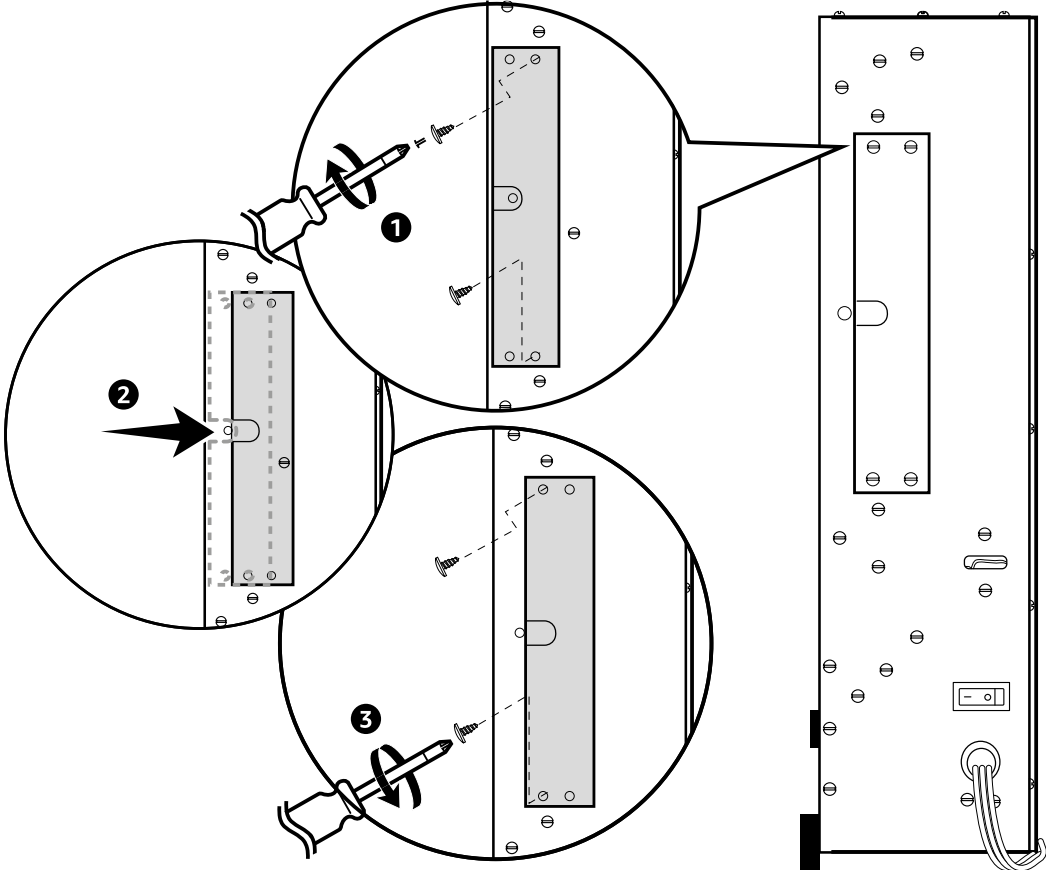
X = B08291FBH8: 50.9" (129.5 cm)



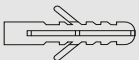
NOTICE Avoid tension on extremely bent parts of the supply cord after plugging in. Lay out the supply cord properly before placing the product into the wall.

4

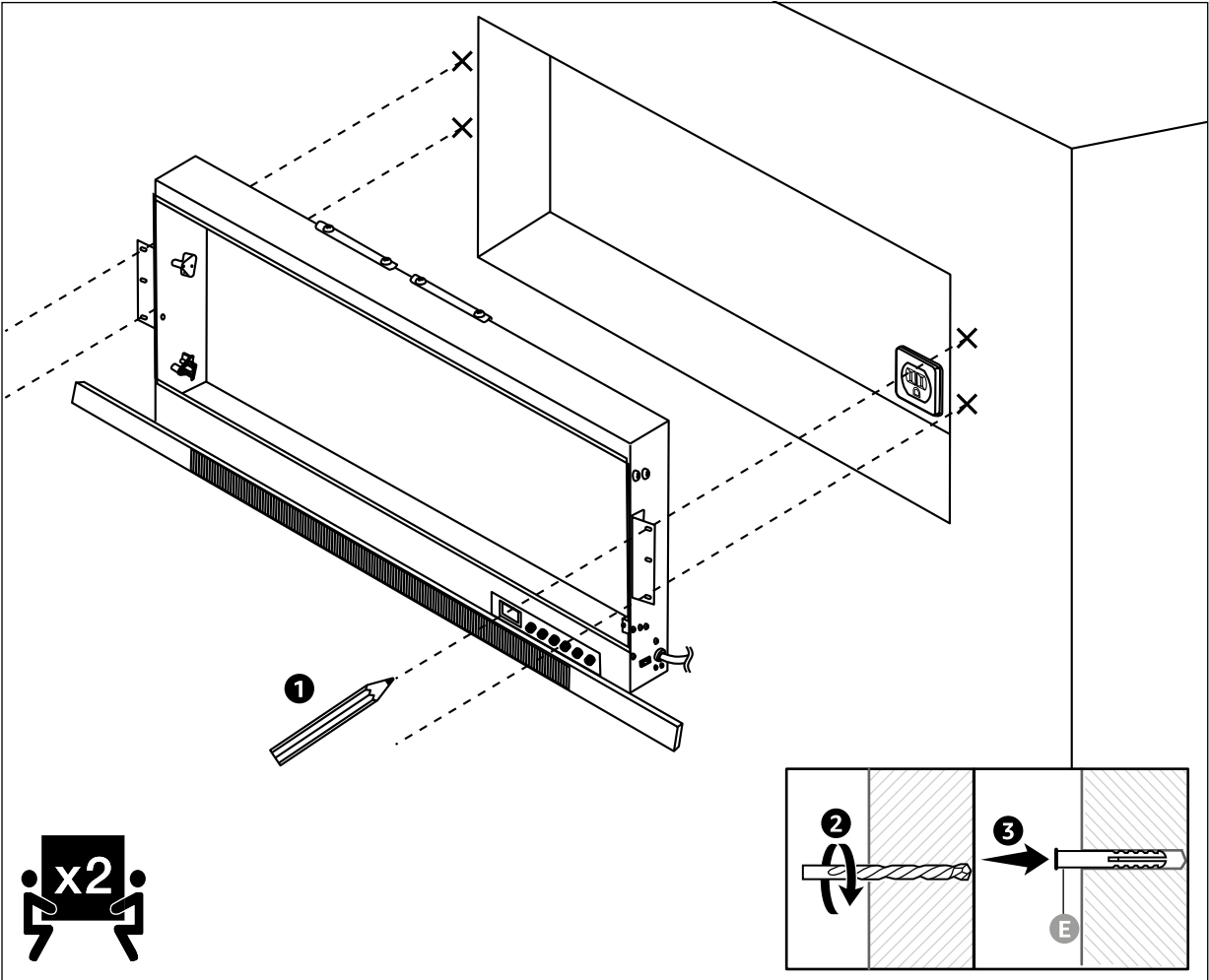
B1



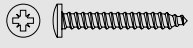
5



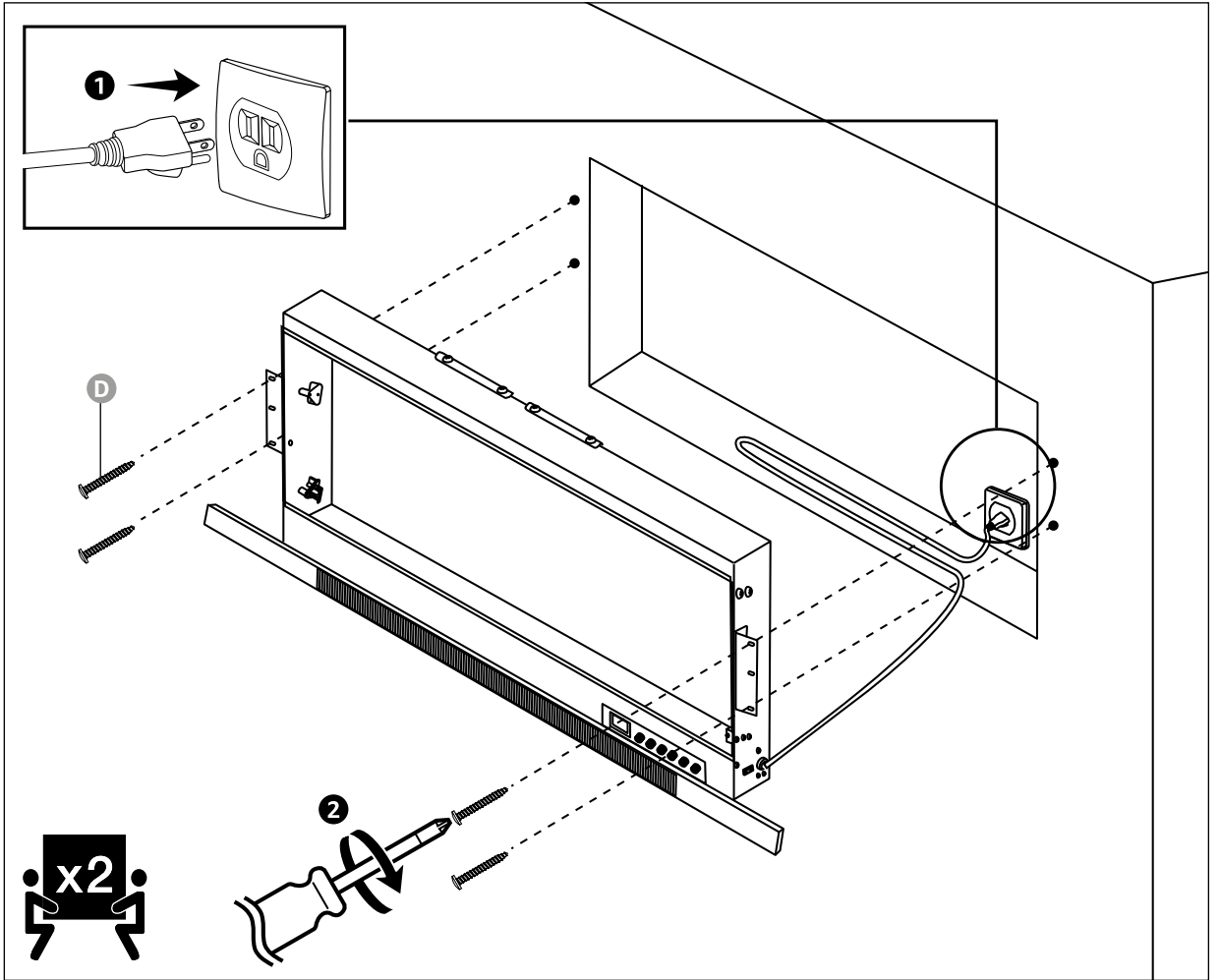
E (x 4)



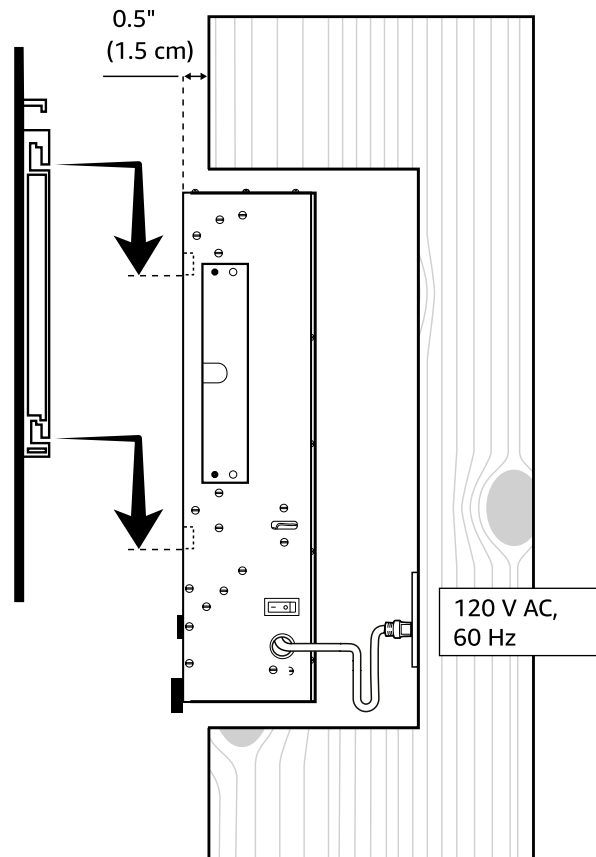
6

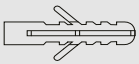
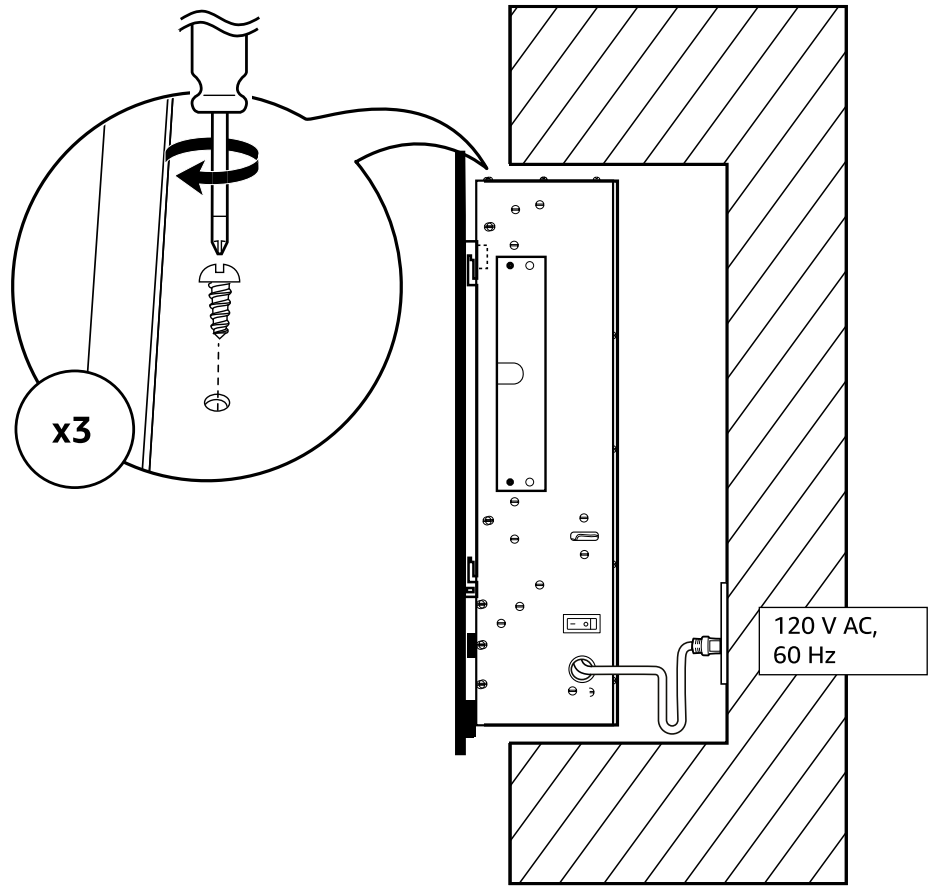


D (x 4)



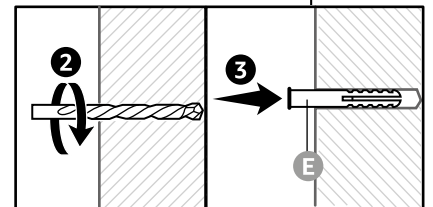
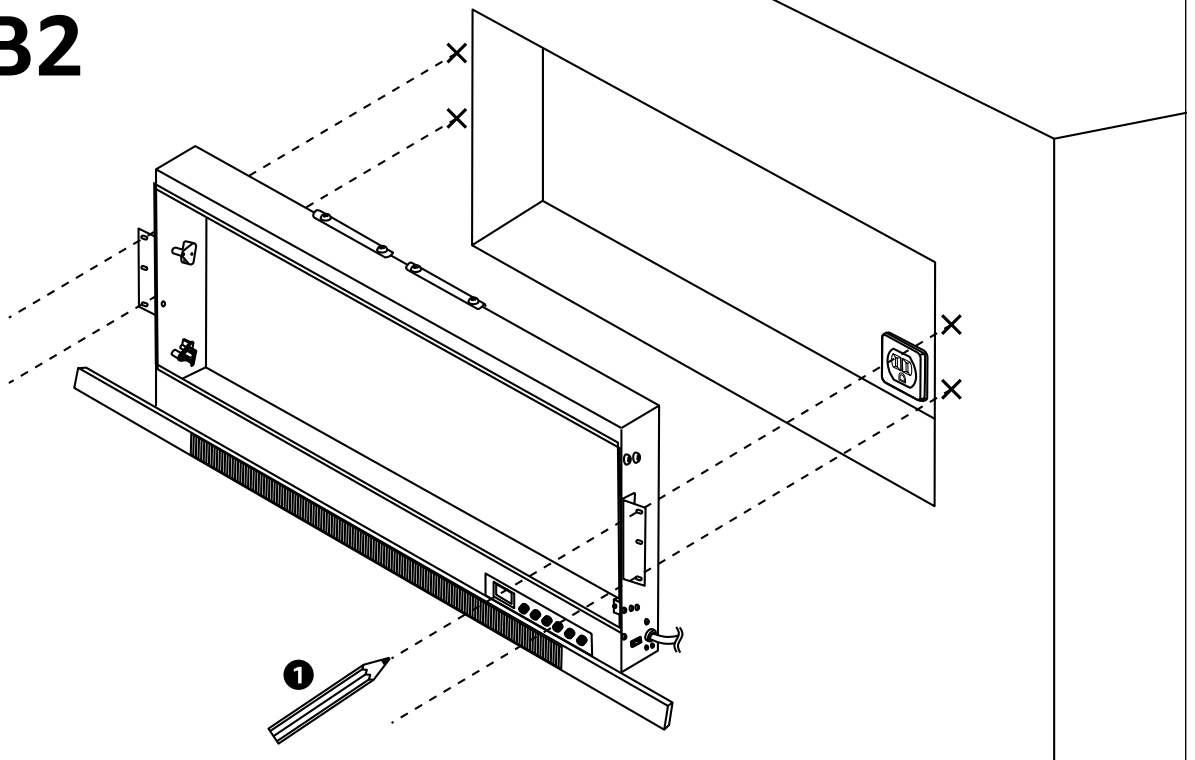
7



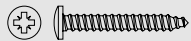


E (x 4)

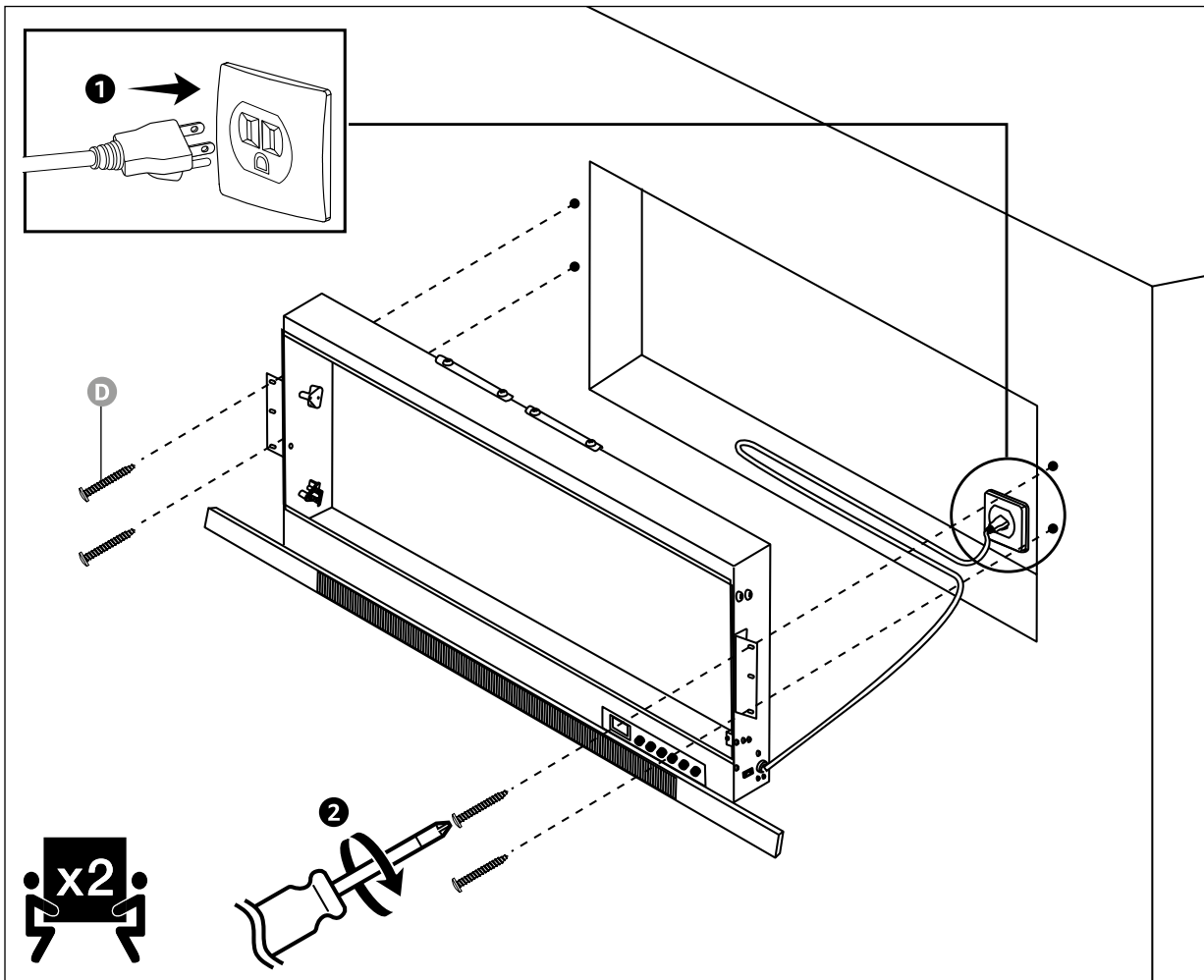
B2



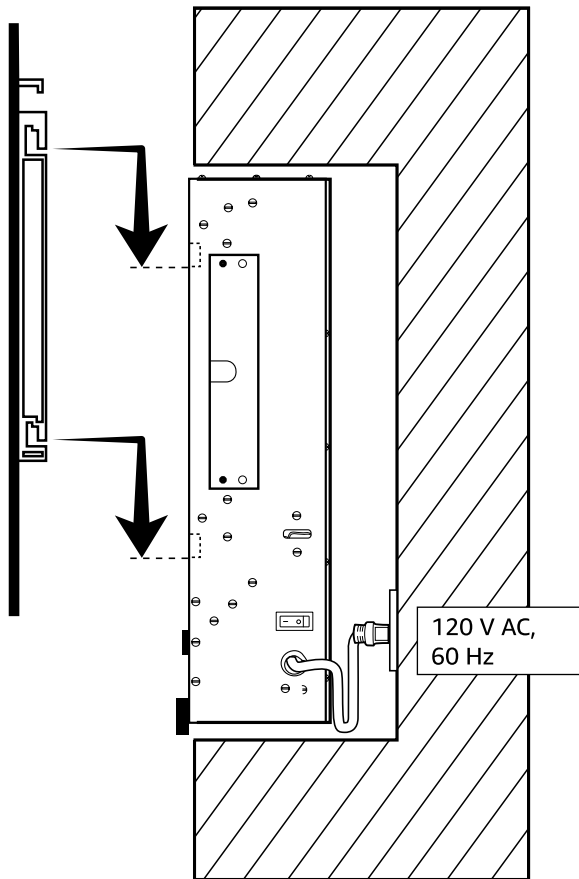
5



D (x 4)



6

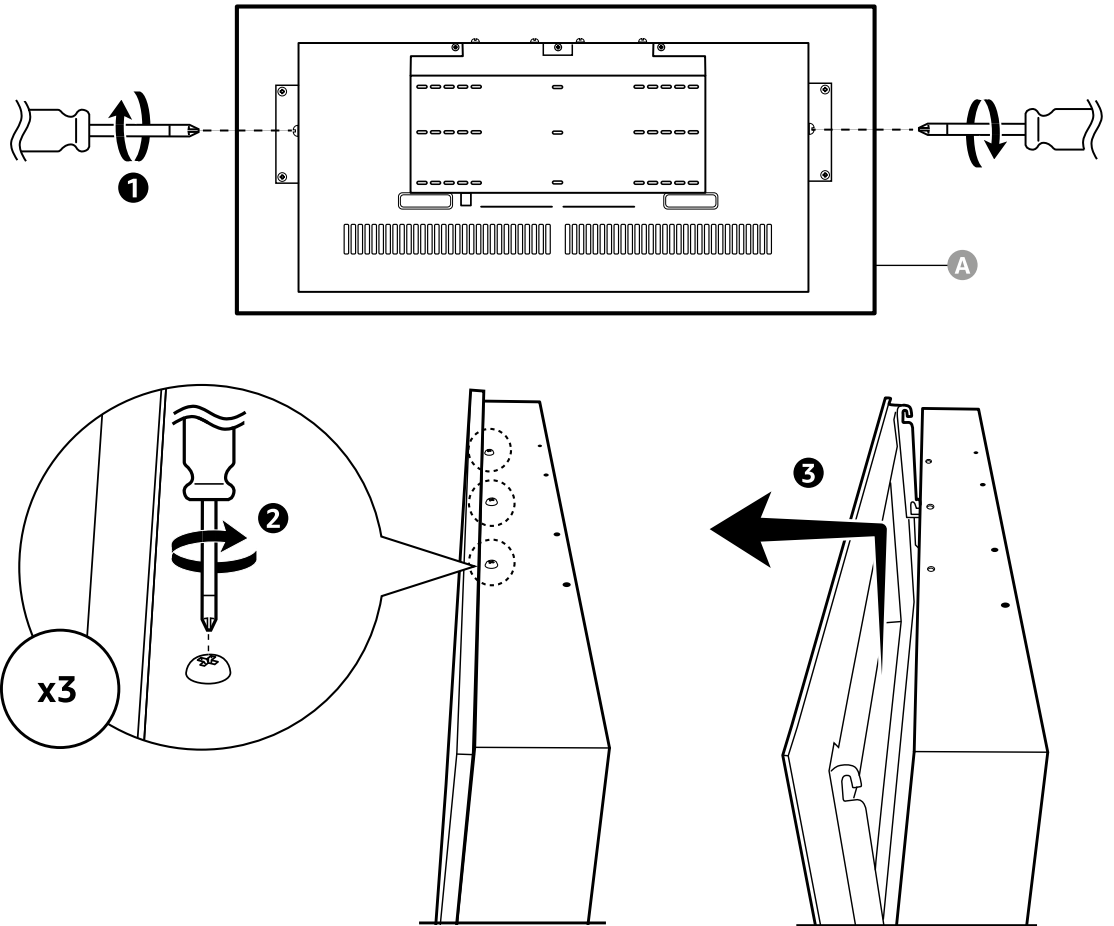


1



A (x 1)

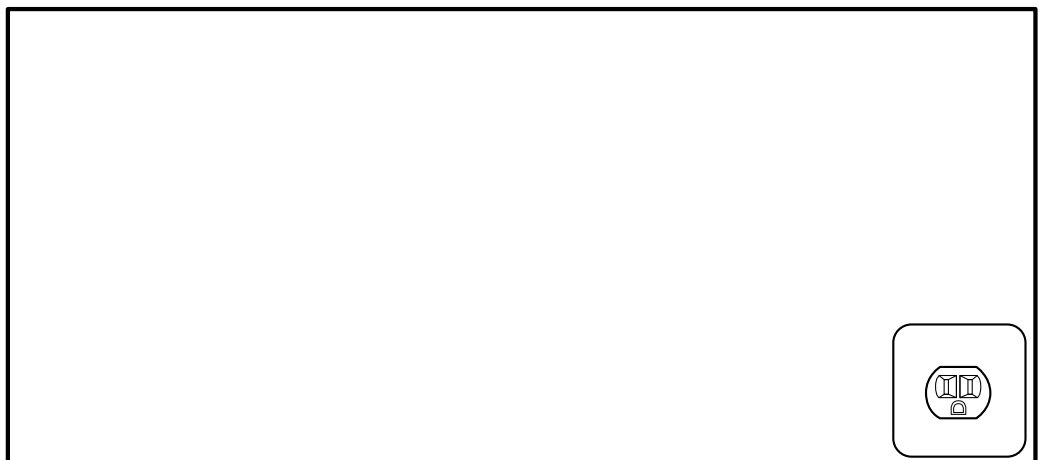
C



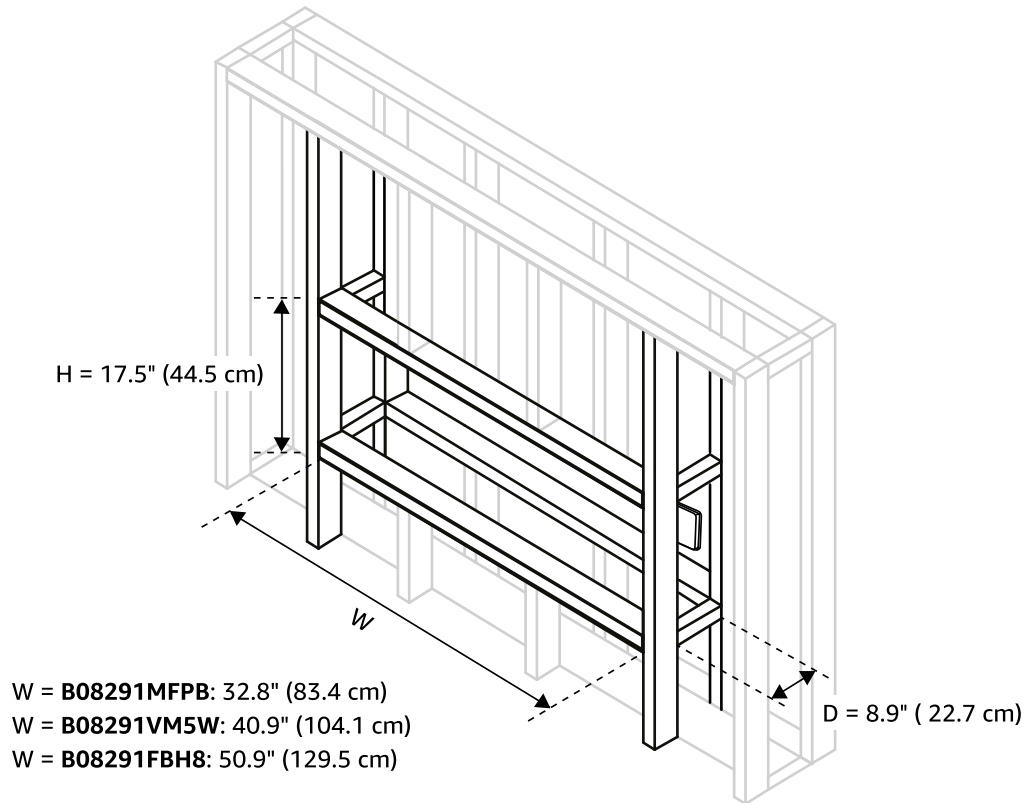
2

NOTICE A dedicated socket outlet must be installed inside the recessed wall opening. Keep at least 3.9" (10 cm) spacing between the back of the product and a socket outlet. The socket outlet must be wired to an accessible 16 A double pole switch. Contact a professional electrician if in doubt.

NOTICE Set the power switch to 'I' (product on) before fixing the product into the recessed wall opening.



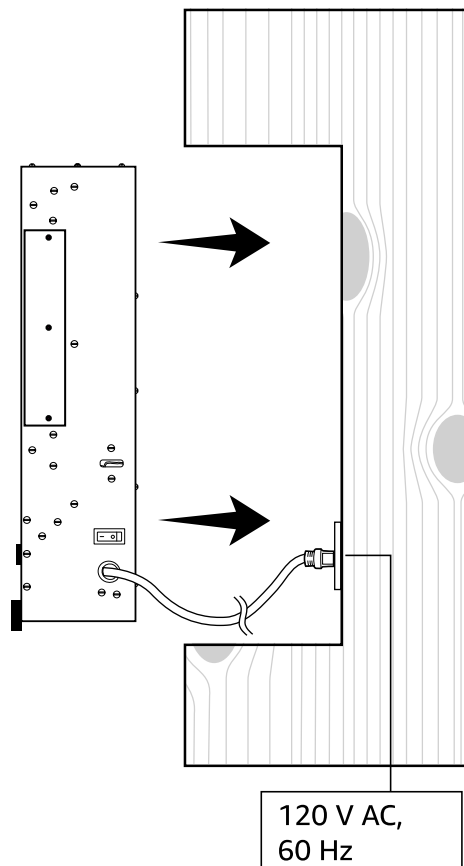
3



⚠ CAUTION Risk of injury or product damage!

Choose a location with a minimum of two wall studs capable to withstand the product weight.

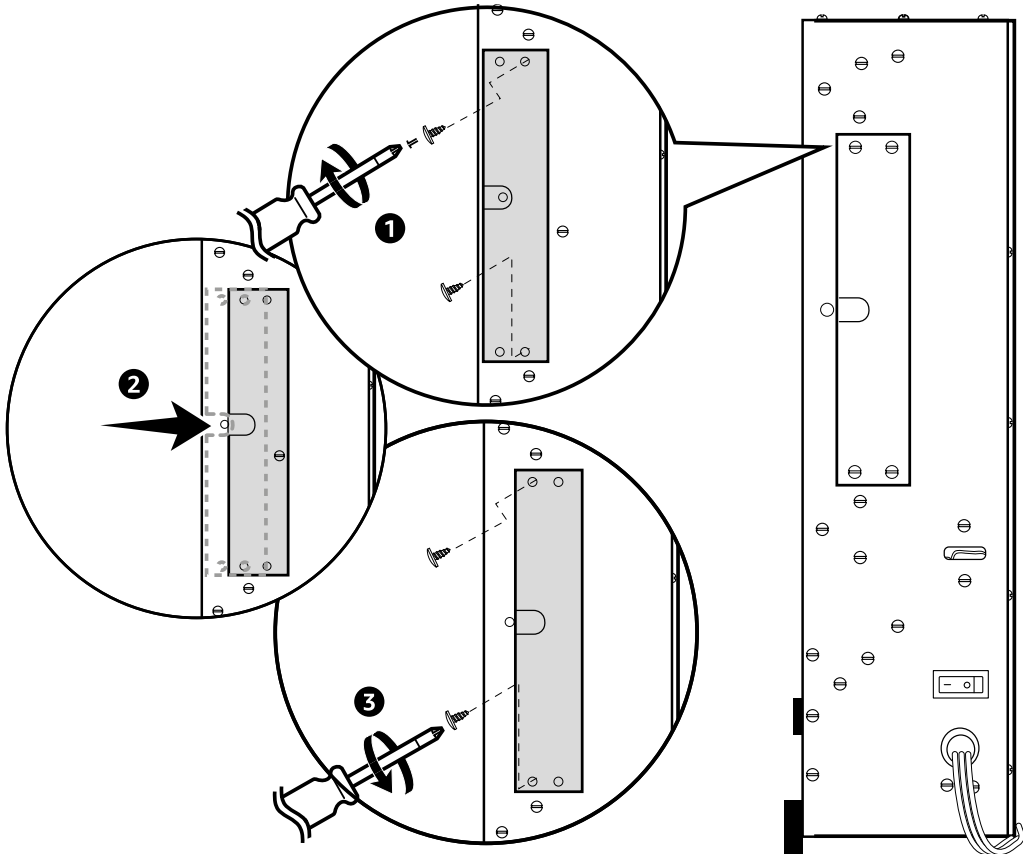
4



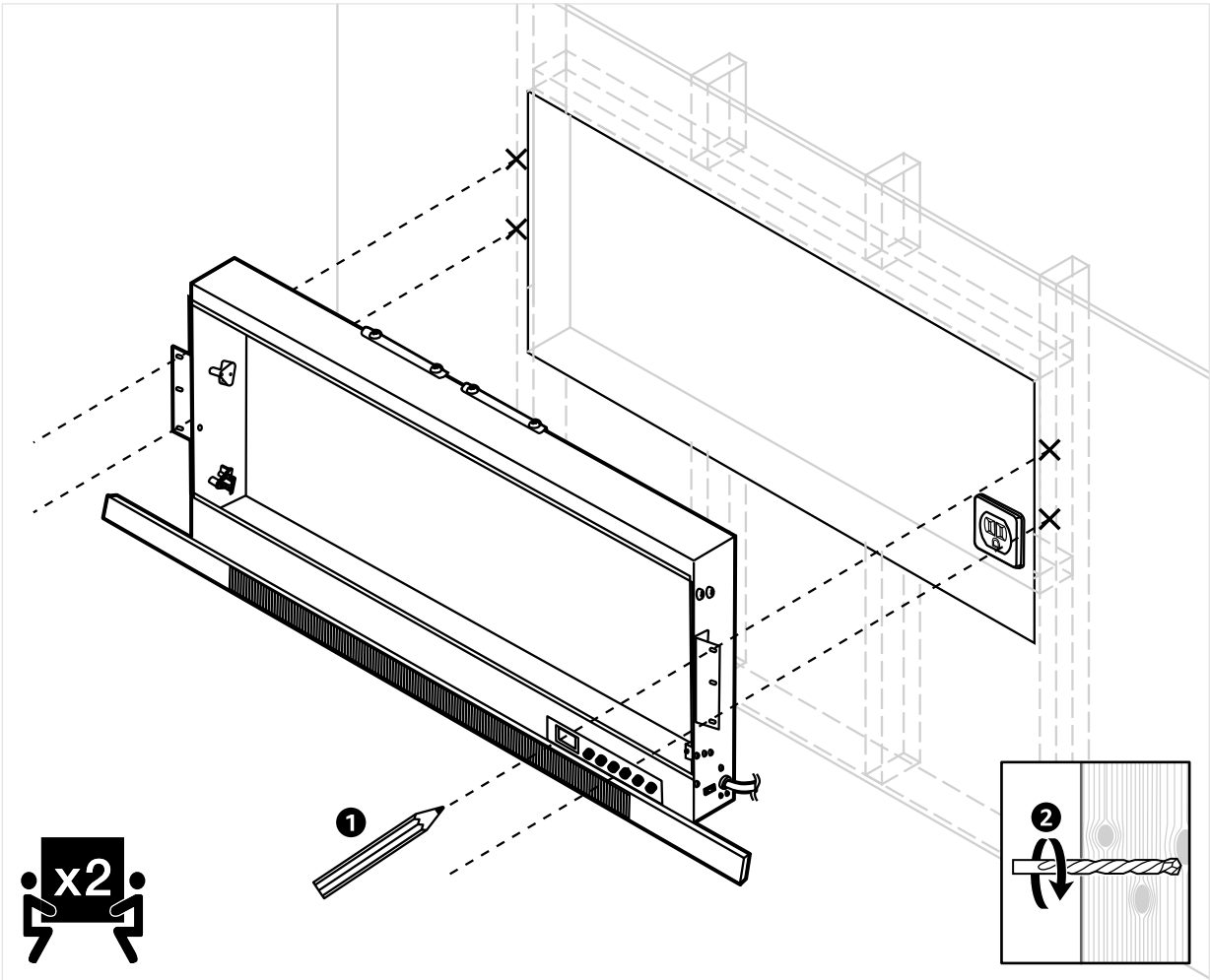
NOTICE Avoid tension on extremely bent parts of the supply cord after plugging in. Lay out the supply cord properly before placing the product into the wall.

5

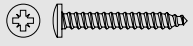
C1



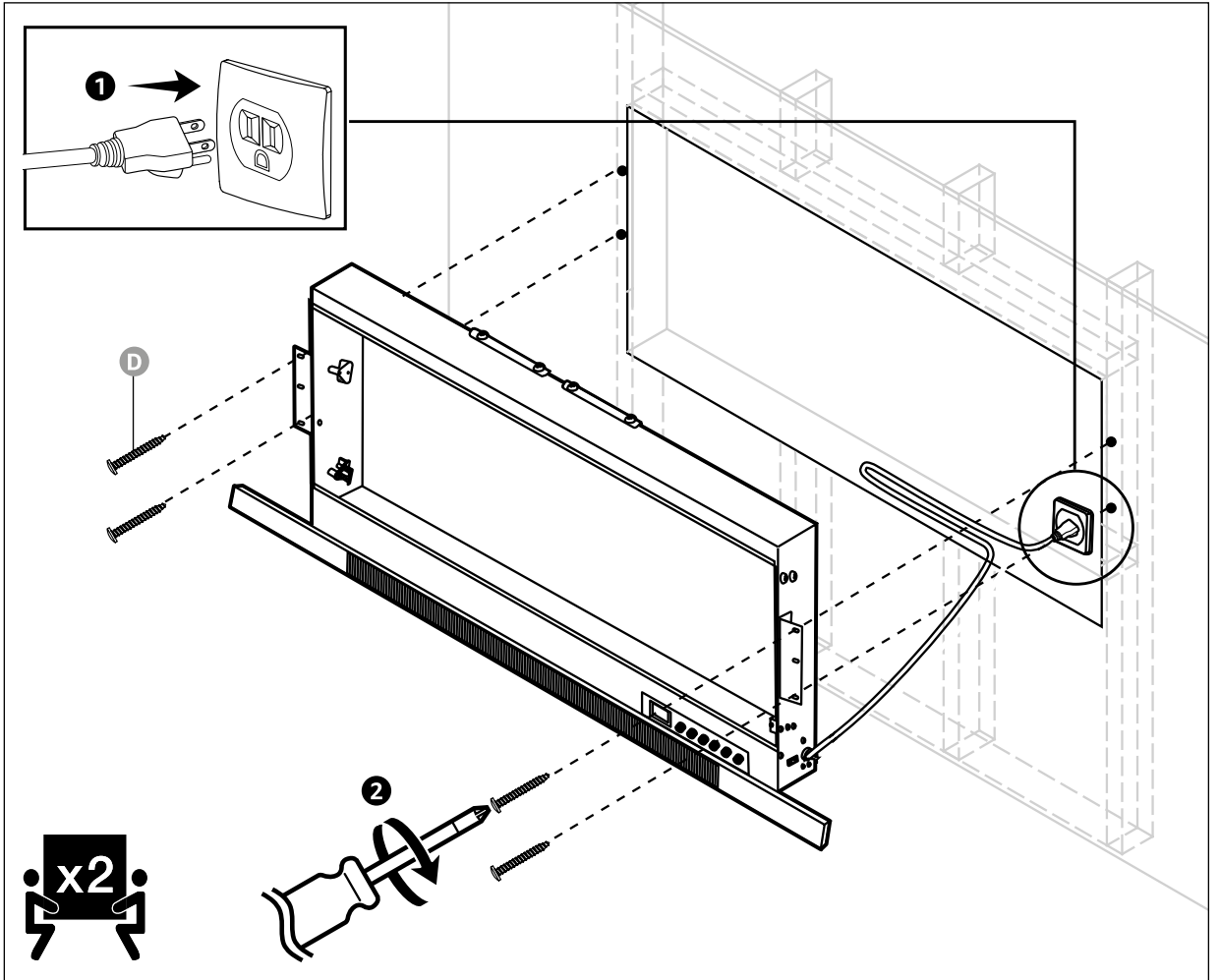
6



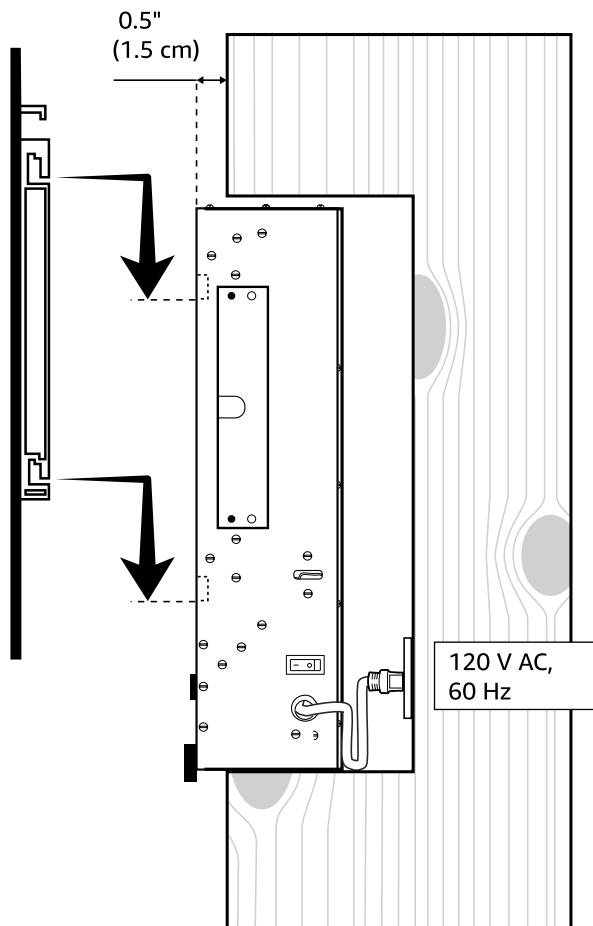
7

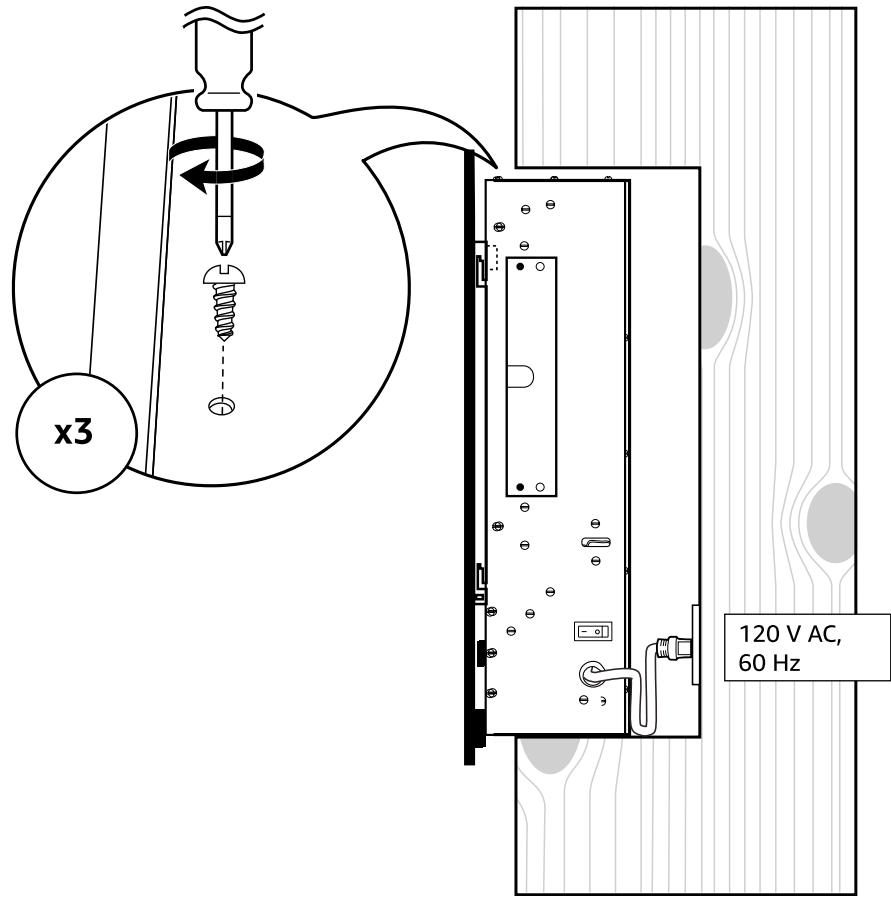


D (x 4)

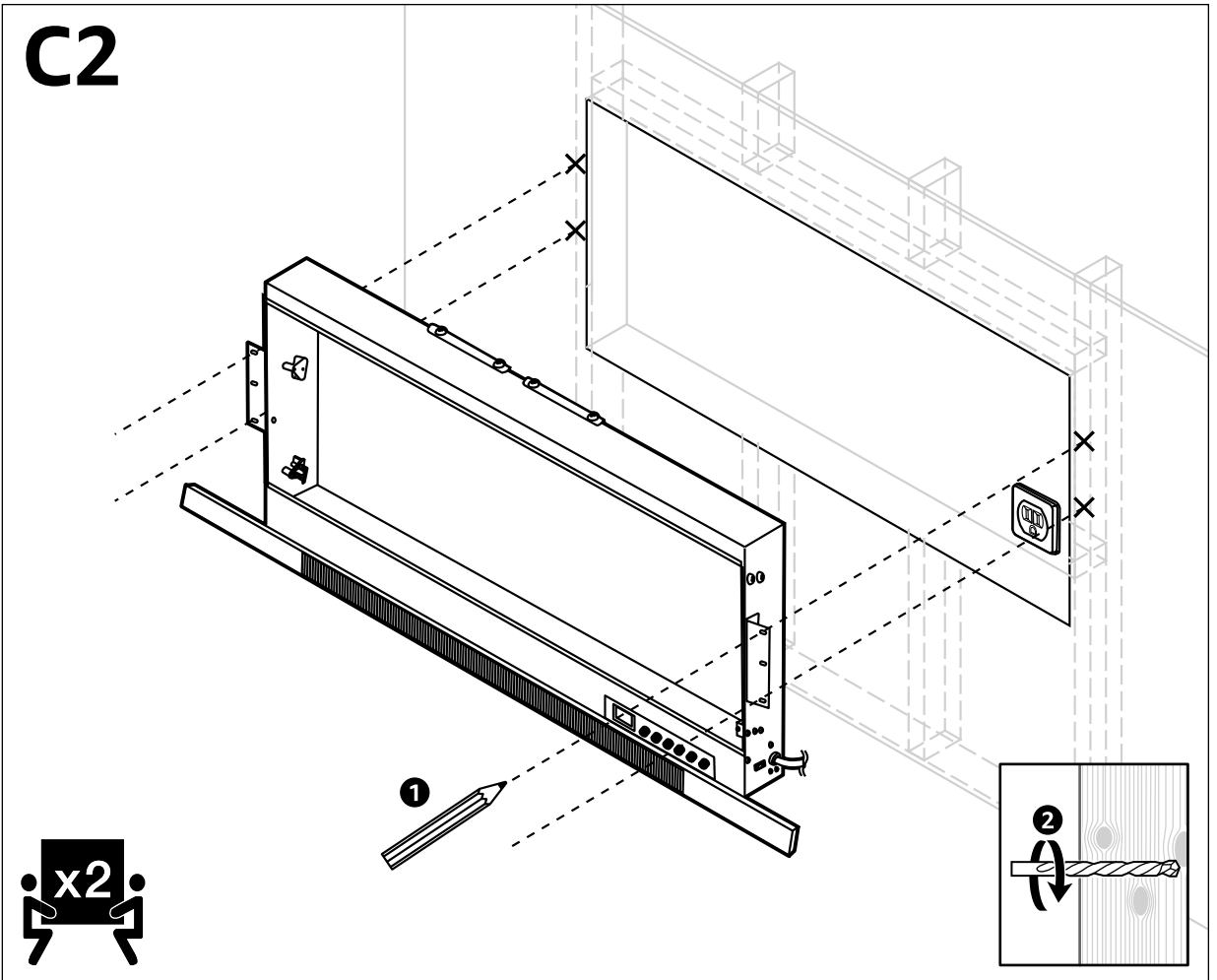


8

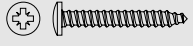




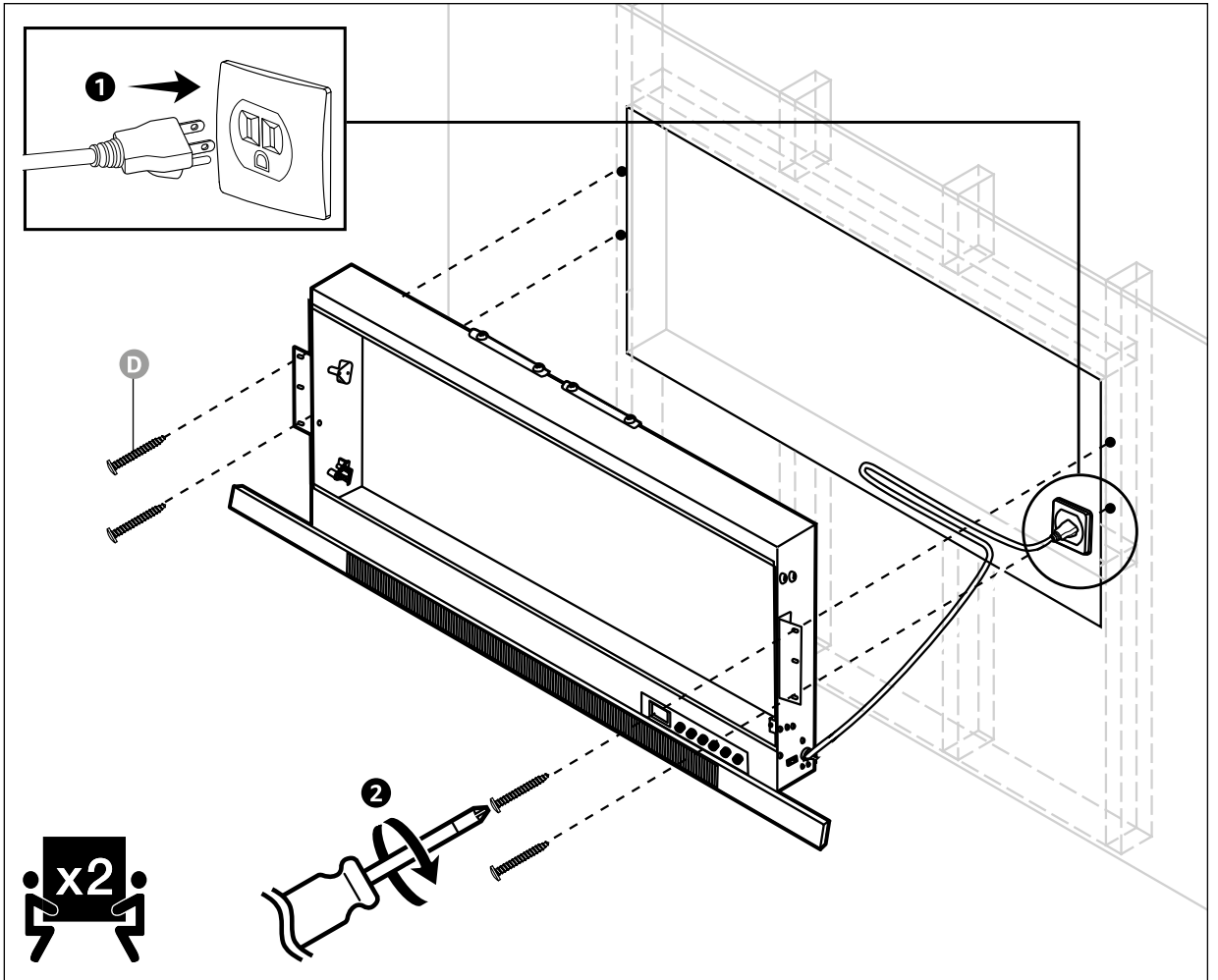
C2



6



D (x 4)



7

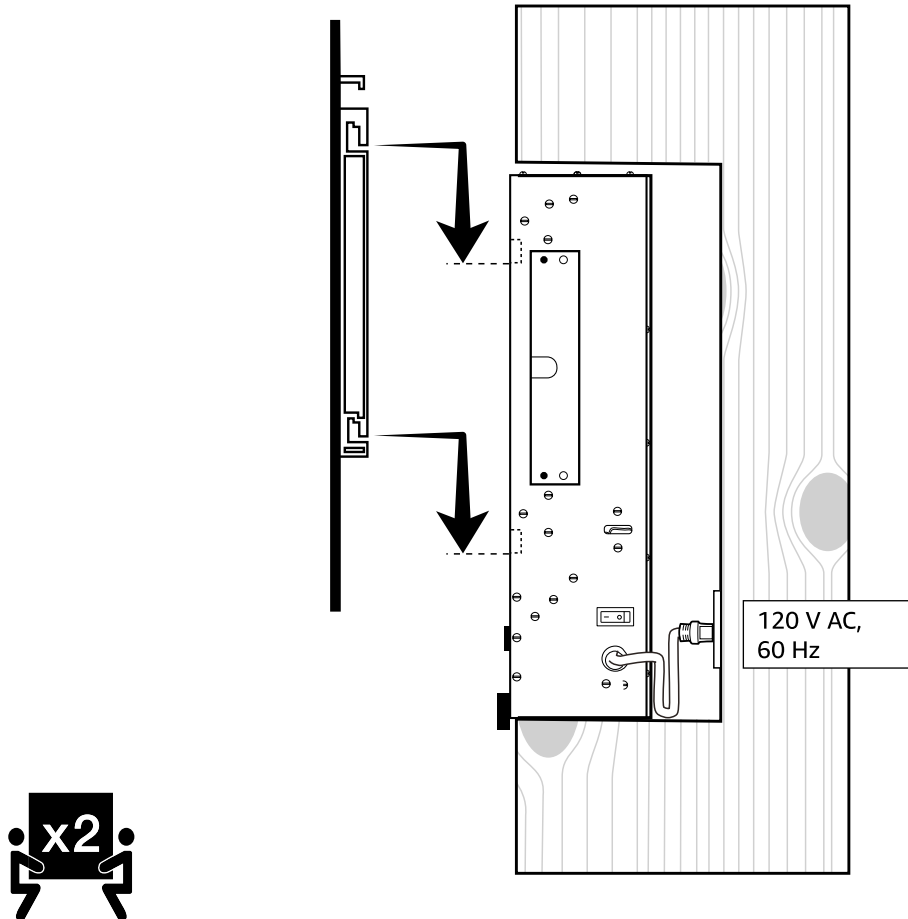


Table of Contents

1. Mesures de Sécurité Importantes	27
2. Avertissements Relatifs aux Piles	28
3. Instructions relatives à la mise à la terre	29
4. Utilisation Prévue	29
5. Avant la Première Utilisation	29
6. Description du Produit	30
7. Conseils d'installation	30
8. Utilisation	30
8.1 Mise sous/hors tension	30
8.2 Réglage de la température	31
8.3 Changement de niveau de puissance	31
8.4 Changement de couleur des flammes	31
8.5 Changement de la couleur des braises	31
8.6 Réglage du minuteur	31
8.7 Changement entre Fahrenheit et Celsius	31
8.8 Changement entre bûches et cristaux	31
9. Remplacement de la Pile	32
10. Nettoyage et Entretien	32
10.1 Nettoyage	32
10.2 Entretien	32
11. Dépannage	32
12. Mise au Rebut des Batteries	32
13. Caractéristiques	33
13.1 Télécommande	33
14. Vos avis et aide	33
15. Dimensions du Produit	34
16. Installation	35
16.1 Type d'Installation	35



1. MESURES DE SÉCURITÉ IMPORTANTES

Lorsque vous utilisez des appareils électriques, respectez toujours des mesures de sécurité élémentaires afin de réduire tout risque d'incendie, d'électrocution et/ou de blessures corporelles. Ces mesures sont les suivantes :

⚠ AVERTISSEMENT Risque d'incendie!

Afin d'éviter toute surchauffe, veillez à ne pas couvrir l'appareil de chauffage. Ne mettre aucun objet en contact avec l'appareil de chauffage.

⚠ AVERTISSEMENT Risque de blessures!

L'appareil ne doit pas être utilisé si le panneau de verre endommagé.

⚠ ATTENTION Risque de brûlures!

Certaines pièces de ce produit peuvent devenir très chaudes et provoquer des brûlures. Une attention particulière est de rigueur en présence d'enfants et de personnes vulnérables.

- Lisez toutes les consignes avant d'utiliser cet appareil de chauffage.
- Longueur du cordon d'alimentation : 6 pieds (182,8 cm). Ne jamais utiliser le produit avec un cordon prolongateur ou une source d'alimentation pouvant être déplacée (bloc/barre d'alimentation).
- Cet appareil de chauffage devient chaud pendant son utilisation. Afin d'éviter toute brûlure, ne pas laisser la peau nue entrer en contact avec les surfaces chaudes. Si l'appareil de chauffage est doté de poignées, utilisez-les pour le déplacer. Maintenez tout matériau combustible, tel que meubles, oreillers, literie, papiers, vêtements et rideaux à une distance d'au moins 3 pieds (2 mètres) de l'avant de cet appareil de chauffage et à l'écart des faces latérales et du dos.
- Faites preuve d'une extrême prudence lors de l'utilisation de tout appareil de chauffage par des enfants ou des personnes invalides ou en présence de ceux-ci, et à chaque fois que l'appareil de chauffage est laissé en marche et sans surveillance.
- Ne pas utiliser un appareil de chauffage dont le cordon ou la fiche d'alimentation est endommagé(e), ou un appareil de chauffage qui présente un dysfonctionnement, est tombé ou a été endommagé de quelque manière que ce soit. Mettez l'appareil de chauffage au rebut ou confiez-le à un centre de réparation professionnel pour examen et/ou réparation.
- Ne pas utiliser à l'extérieur.
- Cet appareil de chauffage n'est pas conçu pour être utilisé dans des salles de bains, des buanderies ou dans tout autre endroit similaire à l'intérieur. Ne jamais placer l'appareil de chauffage dans un endroit où il risque de tomber dans une baignoire ou dans tout autre récipient contenant de l'eau.
- Branchez le produit exclusivement à des prises de courant correctement mises à la terre.

- Ne pas y insérer des objets étrangers et ne pas laisser des objets étrangers pénétrer dans les ouvertures d'aération ou d'extraction d'air. Cela est susceptible d'entraîner un risque d'électrocution ou d'incendie, voire d'endommager l'appareil de chauffage.
- Afin de prévenir tout risque d'incendie, ne pas bloquer les entrées ou les bouches d'extraction d'air de quelque manière que ce soit. Ne pas utiliser l'appareil sur des surfaces molles, telles qu'un lit, où les bouches pourraient être obturées.
- Un appareil de chauffage comporte des pièces chaudes et des pièces susceptibles de produire des arcs électriques ou des étincelles à l'intérieur. Ne pas l'utiliser dans des endroits où sont utilisés ou stockés de l'essence, de la peinture ou tout autre liquide inflammable.
- Utilisez cet appareil de chauffage exclusivement ainsi que décrit dans le présent manuel d'utilisation. Toute autre utilisation non recommandée par le fabricant est susceptible d'entraîner un risque d'incendie, d'électrocution ou de blessures.

Pour l'installation murale A :

- Débranchez toujours l'appareil lorsque vous ne l'utilisez pas.
- Pour mettre l'appareil de chauffage hors tension, positionnez toutes les commandes sur « Off », puis débranchez la fiche de la prise de courant.
- Ne faites pas passer le cordon sous une moquette. Ne pas couvrir le cordon avec un tapis, des rails ou tout autre revêtement similaire. Ne pas acheminer le cordon sous des meubles ou des appareils. Maintenez le cordon à l'écart des zones de passage, et positionnez-le à un endroit où personne ne risquera pas de trébucher dessus.
- Branchez toujours les appareils de chauffage directement à une prise de courant. Ne jamais utiliser de rallonge ou de barrette de distribution secteur amovible (prise/unité de distribution d'alimentation).
- Cet appareil de chauffage est équipé d'un dispositif de limitation de la température. Si l'appareil de chauffage atteint une température interne dangereuse de 239 °F (115 °C), le produit se met hors tension automatiquement. Pour le réinitialiser, débranchez l'appareil de la prise de courant, puis patientez 5 minutes avant de le rebrancher et de le mettre en marche.

Pour les installations encastrées B et C :

- La prise de courant doit être reliée à un interrupteur bipolaire de 16 A spécifique accessible afin de permettre la mise sous/hors tension du produit en toute sécurité.
- Positionnez toujours l'interrupteur mural sur « Off » lorsque vous n'utilisez pas le produit.
- Cet appareil de chauffage est équipé d'un dispositif de limitation de la température. Si l'appareil de chauffage atteint une température interne dangereuse de 239 °F (115 °C), le produit se met hors tension automatiquement. Pour le réinitialiser, positionnez l'interrupteur mural sur « Off », puis patientez 5 minutes avant de le remettre sous tension.

CONSERVEZ LES PRÉSENTES INSTRUCTIONS

2. Avertissements Relatifs aux Piles

⚠ AVERTISSEMENT

- ▶ **RISQUE D'INGESTION** : Ce produit contient une pile bouton.
- ▶ Des blessures graves, voire la **MORT**, risquent de survenir en cas d'ingestion.
- ▶ Une pile bouton avalée peut provoquer des **Brûlures Chimiques Internes** en moins de **2 heures**.
- ▶ Il convient de **CONSERVER** piles neuves et usagées **HORS DE LA PORTÉE DES ENFANTS**.
- ▶ Consultez immédiatement un médecin en cas de soupçon d'ingestion d'une pile ou d'introduction de celle-ci dans une quelconque partie du corps.
- ▶ Mettez immédiatement au rebut toutes piles usagées, puis conservez-les hors de la portée des enfants. Ne PAS mettre au rebut des piles avec les ordures ménagères.
- ▶ Les piles, même usagées, peuvent provoquer des blessures graves, voire la mort.
- ▶ Entrez en contact avec un centre antipoison de votre localité afin d'obtenir des renseignements sur le traitement.



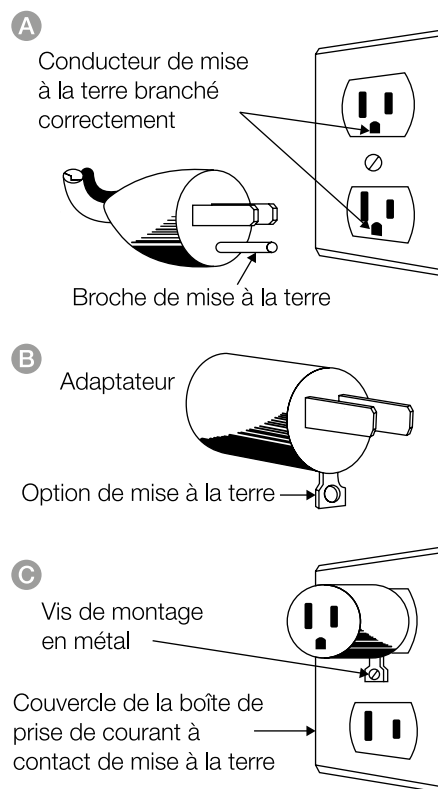
RISQUE D'INGESTION : Ce produit contient une pile bouton.

- ▶ Ne pas mélanger piles usagées et piles neuves, des marques ou des types de piles différents, notamment piles alcalines, piles au carbone-zinc ou piles rechargeables.
- ▶ Retirez les piles de l'appareil, puis mettez-les immédiatement au rebut si vous ne comptez pas utiliser celui-ci pendant une longue période.
- ▶ Les piles non rechargeables ne doivent pas être rechargées.
- ▶ Ne pas les décharger de façon forcée, recharger, démonter, chauffer au-delà de la température nominale indiquée par le fabricant, ni les incinérer. Le non-respect de cette consigne risque d'entraîner des blessures dues au dégagement, à des fuites de gaz ou à une explosion susceptibles d'entraîner des brûlures chimiques.
- ▶ **Il convient de garder les piles hors de portée des enfants.** *En particulier, gardez les piles susceptibles d'être avalées hors de portée des enfants. En cas d'ingestion d'une pile bouton, consultez un médecin dans les plus brefs délais.*
- ▶ Ne laissez aucun enfant remplacer les piles sans la surveillance d'un adulte.
- ▶ **Insérez toujours les piles conformément à la polarité (+ et -) indiquée sur l'emballage et sur l'équipement.** *Lorsque les piles sont insérées dans le mauvais sens, elles peuvent subir un court-circuit ou se charger. Cela peut provoquer une surchauffe, une fuite, un dégazage, une rupture, une explosion, un incendie et des blessures.*
- ▶ **Ne pas court-circuiter les piles.** *Lorsque les bornes positive (+) et négative (-) d'une pile sont en contact électrique l'une avec l'autre, la pile est alors en court-circuit. Ainsi, des piles gardées en poche avec des clés ou des pièces de monnaie peuvent être mises en court-circuit. Cela peut causer un dégazage, une fuite, une explosion, un incendie ou des blessures.*
- ▶ **Ne pas recharger les piles.** *Toute tentative de chargement d'une pile non rechargeable (primaire) peut générer du gaz et/ou une élévation de la température à l'intérieur, entraînant des risques de fuite, de dégazage, d'explosion, d'incendie et de blessures.*
- ▶ **Ne pas forcer le déchargement des piles.** *Lorsqu'une pile est déchargée de force au moyen d'une source d'énergie externe, la tension de la pile est ramenée en dessous de sa capacité nominale et des gaz sont générés à l'intérieur de la pile. Cela peut causer une fuite, un dégazage, une explosion, un incendie ou des blessures.*
- ▶ **Les piles usées doivent être immédiatement retirées de l'appareil, puis mises au rebut de façon adéquate.** *Lorsque des piles déchargées sont conservées longtemps dans l'équipement, une fuite d'électrolyte peut se produire et causer des dommages à l'équipement et/ou causer des blessures.*

- Ne soumettez pas les piles à la chaleur.** *Lorsqu'une pile est exposée à la chaleur, une fuite, un dégazage, une explosion ou un incendie peuvent se produire et entraîner des blessures.*
- Ne soudez ni ne raccordez rien directement aux piles.** *La chaleur dégagée par la soudure ou la brasure directement sur une pile peut provoquer une fuite, un dégazage, une explosion ou un incendie, et peut causer des blessures.*
- Ne démontez pas les piles.** *Lorsqu'une pile est démontée ou désassemblée, tout contact avec les composants peut être dangereux et occasionner des blessures ou un incendie.*
- Ne déformez pas les piles.** *Les piles ne doivent pas être écrasées, perforées ou détériorées de toute autre façon. Un tel manquement peut provoquer une fuite, un dégazage, une explosion ou un incendie et peut entraîner des blessures.*
- Ne pas jeter de piles au feu.** *En cas d'incinération de piles, l'accumulation de chaleur peut entraîner des risques d'explosion, d'incendie et/ou de blessures. N'incinerez pas les piles, excepté pour les éliminer dans un incinérateur adapté.*
- Une pile au lithium dont le conteneur est endommagé ne doit pas être exposée à l'eau.** *Le métal lithium mis en contact avec l'eau peut produire de l'hydrogène gazeux, un incendie, une explosion et/ou occasionner des blessures corporelles.*
- N'encapsulez pas ni ne modifiez les piles.** *L'encapsulation ou toute autre modification d'une pile peut entraîner le blocage du ou des mécanismes de décompression et, par conséquent, causer une explosion et des blessures corporels. Il convient de demander l'avis du fabricant de la pile si l'on estime qu'il est nécessaire de procéder à une modification.*

3. Instructions relatives à la mise à la terre

Cet appareil de chauffage est conçu pour être utilisé sur 120 volts. Le cordon est muni d'une fiche ainsi qu'indiqué sur le croquis A. Un adaptateur ainsi qu'indiqué sur le croquis B est disponible pour brancher des fiches à trois lames avec mise à la terre à des prises à deux fentes. La cosse de mise à la terre verte qui sort de l'adaptateur doit être reliée à une terre permanente telle qu'une boîte de sortie correctement mise à la terre, ainsi qu'indiqué sur le croquis C. L'adaptateur ne doit pas être utilisé si une prise à trois fentes mise à la terre est disponible.



4. Utilisation Prévue

- Ce produit est adapté pour produire instantanément de la chaleur afin de réchauffer une pièce. Il permet également d'assurer de l'ambiance lumineuse. Il n'est pas conçu pour être utilisé comme source principale de chaleur.
- Ce produit est conçu pour un usage domestique exclusivement. L'appareil n'est pas conçu pour être utilisé à des fins commerciales.
- Ce produit doit être monté au mur ou encastré. **IL N'EST PAS ADAPTÉ POUR ÊTRE UTILISÉ EN TANT QU'APPAREIL AUTONOME.** L'utilisation du produit dans toute autre position peut entraîner un danger.
- Nous déclinons toute responsabilité en cas de dommages résultant d'une utilisation incorrecte de cet appareil ou du non-respect des présentes instructions.

5. Avant la Première Utilisation

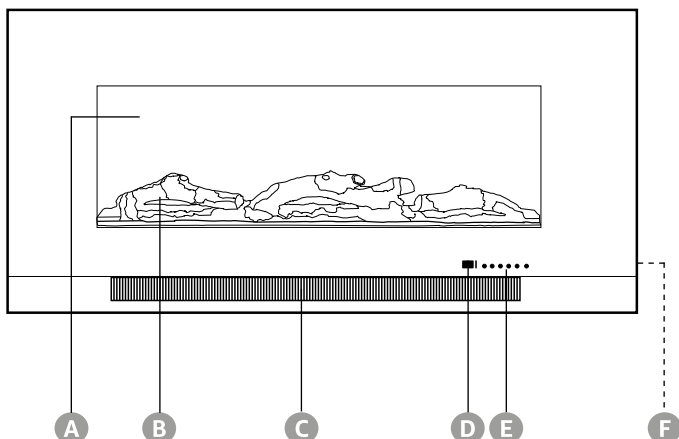
⚠ DANGER Risque d'étouffement!

Conservez tous les matériaux d'emballage hors de la portée des enfants : ces matériaux constituent une source de danger potentiel, p. ex. étouffement.

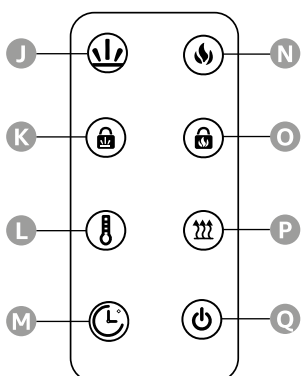
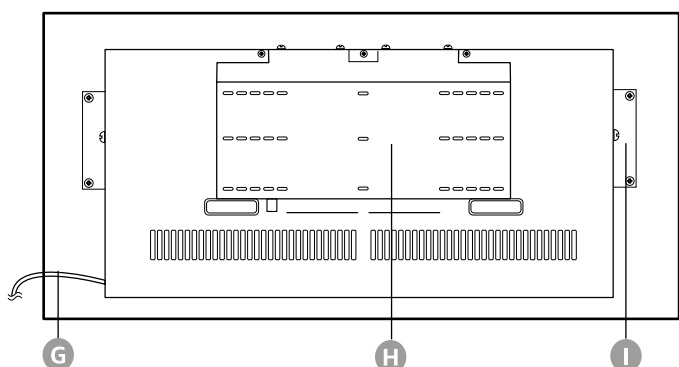
- Vérifiez l'état du produit afin de détecter des dommages éventuels dus au transport.
- Nous vous recommandons de prévoir un circuit dédié de 15 A pour le produit.
- Retirez tous les matériaux d'emballage, y compris l'emballage à l'intérieur de la boîte à combustion située derrière le panneau de visualisation en verre (A) ainsi que décrit à l'étape 1 de l'installation B.
- Avant de brancher le produit sur l'alimentation électrique, assurez-vous que la tension d'alimentation et le courant nominal correspondent aux caractéristiques d'alimentation indiquées sur la plaque signalétique du produit.
- Retirez la pellicule de protection du compartiment à piles de la télécommande.

6. Description du Produit

Face avant



Face arrière



- I Support de montage encastré
- J Touche de couleur des braises
- K Touche de verrouillage des braises
- L Touche de température
- M Touche du minuteur
- N Touche de couleur des flammes
- O Touche de verrouillage des flammes
- P Touche de niveau de puissance
- Q Touche de mise en veille

7. Conseils d'installation

⚠ AVERTISSEMENT

Une installation du produit non conforme aux instructions risque d'endommager celui-ci ou d'exposer l'utilisateur à des risques d'incendie, d'électrocution ou de blessures graves.

- ▶ Ce produit doit être installé et entretenu exclusivement par un adulte qui en possède l'expérience. En cas de doute, consultez un professionnel.
- ▶ Avant d'effectuer le montage, déterminez l'emplacement de montage approprié. Le produit doit être fixé sur un mur en bois ou en maçonnerie/béton à l'aide d'un matériel adapté à la surface de montage.
- ▶ Ne pas installer sur des cloisons sèches, des panneaux muraux ou des contreplaqués minces. La surface de montage doit pouvoir supporter le poids du produit.
- ▶ Pour obtenir des résultats optimaux, installez le produit à l'abri des rayons du soleil.
- ▶ Pour éviter toute reconstruction, installez le produit à proximité d'une prise de courant correctement mise à la terre.
- ▶ Ne pas percer dans des tuyaux ou des câbles électriques se trouvant sous la surface lors de la préparation des trous de montage. Utilisez un détecteur de tension/métaux.
- ▶ Le support de montage mural (H) est fixé sur le produit lors de la livraison. Retirez-le avant d'effectuer l'installation.

Pour l'installation encastrée B : La prise de courant doit être reliée à un interrupteur bipolaire de 16 A spécifique accessible afin de permettre la mise sous/hors tension du produit en toute sécurité.

8. Utilisation

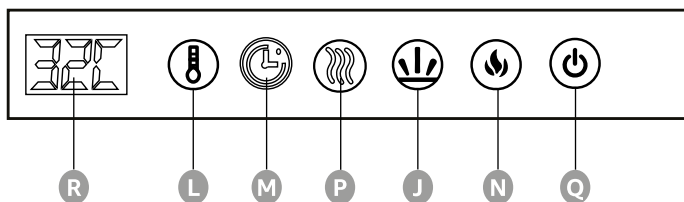
8.1 Mise sous/hors tension

1. Branchez le cordon d'alimentation muni d'une fiche (G) à une prise de courant appropriée.
2. Positionnez le commutateur d'alimentation (F) sur « I » (produit sous tension). Le produit émet un signal sonore, puis l'écran affiche U1.2 (D). Le produit est à présent en mode Veille.
3. Appuyez sur la touche mise en de veille (Q) pour mettre sous tension le produit.

REMARQUE L'écran s'éteint au bout d'environ 7 secondes en l'absence de toute pression exercée sur une autre touche.

4. Pour mettre hors tension le produit, appuyez à nouveau sur la touche de mise en veille (Q).

Commandes tactiles



- A Panneau de visualisation
- B Bûches
- C Conduits de chauffage
- D Écran
- E Commandes tactiles
- F Commutateur On/Off (Marche/Arrêt)
- G Cordon d'alimentation muni d'une fiche
- H Support de montage mural

REMARQUE

- Une seule pression exercée sur n'importe quelle touche de la télécommande ou des commandes tactiles (E) permet d'afficher la température ambiante actuelle. Pour sélectionner une fonction, appuyez à deux reprises sur la même touche.
- Il peut y avoir un soupçon d'odeur pendant les premières minutes d'utilisation, ou après une période de rangement. Il s'agit d'un phénomène normal qui disparaît rapidement.
- En cas de non-utilisation du produit pendant une longue période :

Pour l'installation murale A : Positionnez le commutateur d'alimentation (F) sur « 0 », puis retirez la fiche (G) de la prise de courant.

Pour l'installation encastrée B : Positionnez l'interrupteur mural sur « Off ».

8.2 Réglage de la température

- Appuyez à plusieurs reprises sur la touche de température (L) jusqu'à la sélection de la température souhaitée.
- La gamme de températures est comprise entre 62 et 86 °F (17 et 30 °C).
- Lorsque la pièce atteint la température réglée, la fonction de chauffage se désactive automatiquement.
- Si le produit détecte une baisse de température, la fonction de chauffage reprend automatiquement.

8.3 Changement de niveau de puissance

Appuyez sur la touche de niveau de puissance (P) pour faire défiler les différents réglages de puissance. L'écran (D) affiche les symboles ci-dessous pour indiquer le niveau de puissance choisi.

LO	650 W	Puissance faible
HI	1 300 W	Puissance élevée

8.4 Changement de couleur des flammes

- Appuyez à plus reprises sur la touche de couleur des flammes (N) jusqu'à la sélection de la couleur souhaitée.
- L'écran (D) affiche le code pour indiquer la couleur choisie.
- Lorsque vous utilisez le mode **F0**, appuyez sur la touche de verrouillage des flammes (O) à tout moment pour arrêter la boucle. Appuyez à nouveau sur la touche de verrouillage des flammes (O) pour reprendre.

F1	Orange
F2	Orange et vert
F3	Vert
F4	Vert et bleu
F5	Bleu
F6	Bleu et orange
F7	Bleu, orange et vert
F8	Bleu et rouge
F9	Rouge
F0	Passez en boucle toutes les couleurs

8.5 Changement de la couleur des braises

- Appuyez à plusieurs reprises sur la touche des braises (J) jusqu'à la sélection de la couleur souhaitée.
- L'écran (D) affiche le code pour indiquer la couleur choisie.
- Lorsque vous utilisez le mode **C0**, appuyez sur la touche de verrouillage du charbon (K) à tout moment pour arrêter la boucle. Appuyez à nouveau sur la touche de verrouillage des braises (K) pour reprendre.

C1	Rouge
C2	Bleu
C3	Vert
C4	Rouge rosé
C5	Orange
C6	Blanc
C7	Pourpre
C8	Jaune
C9	Bleu clair
C0	Passez en boucle toutes les couleurs

8.6 Réglage du minuteur

- Appuyez à plusieurs reprises sur la touche du minuteur (M) jusqu'à la sélection de l'heure souhaitée.
- L'écran (D) indique l'heure sélectionnée pendant 7 secondes, puis affiche la température ambiante. Le minuteur démarre le compte à rebours automatiquement.
- La fonction de minuteur peut être réglée entre 1 et 9 heures.
- Pour désactiver le minuteur, appuyez sur la touche du minuteur (M) à plusieurs reprises jusqu'à ce que l'écran (D) affiche ---.

8.7 Changement entre Fahrenheit et Celsius

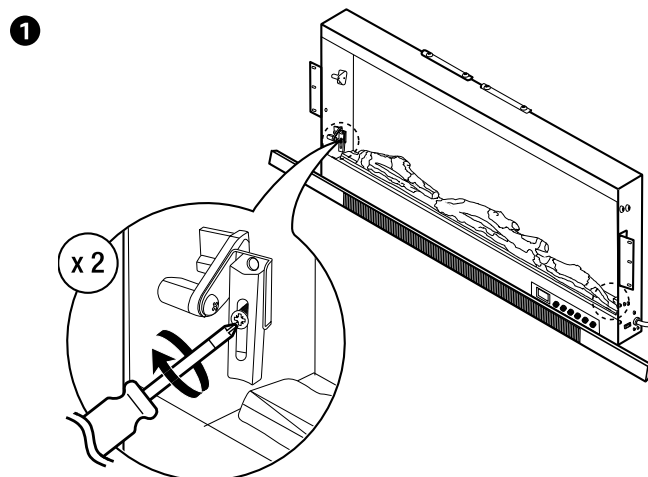
- Appuyez sur la touche de température (L) située sur le panneau de commandes et maintenez-la enfoncée pendant 5 secondes.
- L'écran (D) change pour indiquer le réglage souhaité.
- Répétez l'exécution des étapes ci-dessus pour revenir au réglage d'origine.

8.8 Changement entre bûches et cristaux**⚠ AVERTISSEMENT Risque de brûlures!**

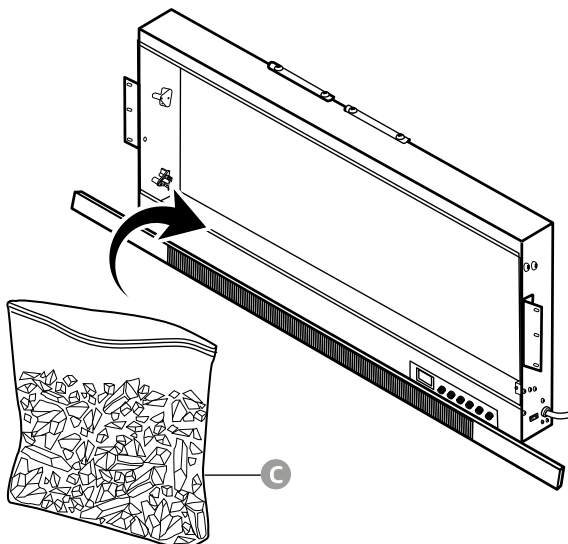
Certaines pièces de ce produit peuvent devenir très chaudes et provoquer des brûlures. Assurez-vous que le produit a refroidi et/ou est hors tension avant de changer les bûches et les cristaux.

Changer l'apparence du produit en retirant les bûches installées (B) derrière le panneau de visualisation (A).

- Retirez le panneau de visualisation (A) ainsi que décrit à l'étape 1 de l'installation **B**.
- Continuez avec les 2 étapes ci-dessous pour retirer les vis et les bûches, puis placez les cristaux (C) le long du bord de l'écran de façon uniforme.

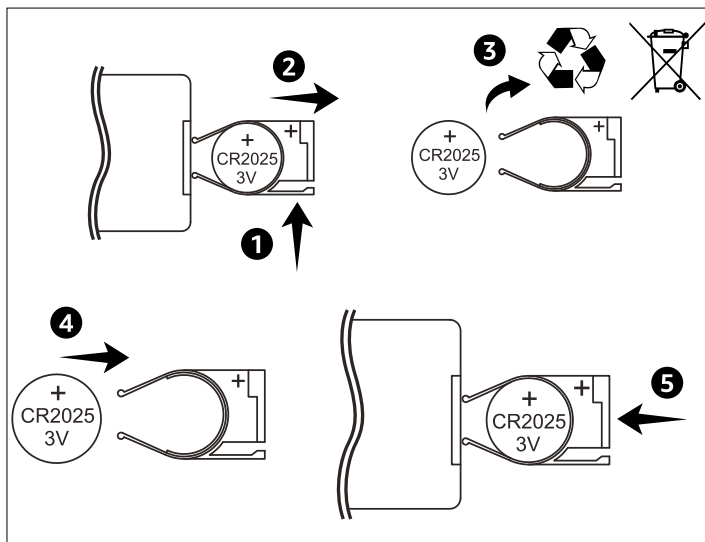


2



9. Remplacement de la Pile

1. Retirez le porte-piles de la télécommande.
2. Remplacez la pile usagée par une nouvelle pile CR2025 3 V. Le pôle positif (+) doit être dirigé vers le haut.



10. Nettoyage et Entretien

⚠ AVERTISSEMENT Risque d'électrocution! Pour prévenir tout risque d'électrocution :

Pour l'installation murale A : Positionnez le commutateur d'alimentation (F) sur « 0 », puis retirez la fiche (G) de la prise de courant.

Pour les installations encastrées B et C : Positionnez l'interrupteur mural sur « Off ».

10.1 Nettoyage

REMARQUE Nettoyez régulièrement le produit afin de prévenir toute accumulation de poussières ou de peluches autour des conduits de chauffage (C), car cela pourrait obstruer la sortie.

- ▶ Pour nettoyer le produit, essuyez-le à l'aide d'un chiffon doux légèrement humide.
- ▶ Ne jamais utiliser de détergents corrosifs, de brosses métalliques, de tampons à récurer abrasifs, d'ustensiles métalliques ou coupants pour nettoyer le produit.
- ▶ Ne pas pulvériser de liquides directement sur les surfaces du produit.

10.2 Entretien

Tout autre entretien ou réparation que celui ou celle mentionnée dans le présent manuel doit être effectué par du personnel technique qualifié.

11. Dépannage

Problème	Solution
Impossible de mettre le produit sous tension.	<ul style="list-style-type: none"> ▶ Assurez-vous que la fiche d'alimentation est correctement branchée à la prise de courant. Assurez-vous que la prise de courant fonctionne. ▶ Le produit a surchauffé et le dispositif de sécurité thermique s'est activé. Mettez hors tension le produit, puis remettez-le sous tension au bout de 10 minutes.
La flamme sur le panneau de visualisation ne bouge pas.	<ul style="list-style-type: none"> ▶ Moteur de flammes défectueux. Contactez du personnel technique qualifié.
Le produit se met hors tension automatiquement.	<ul style="list-style-type: none"> ▶ Le produit a surchauffé et le dispositif de sécurité thermique s'est activé. Mettez hors tension le produit, puis remettez-le sous tension au bout de 10 minutes.
La télécommande ne fonctionne pas.	<ul style="list-style-type: none"> ▶ Piles faibles. Changez les piles. ▶ Vous vous tenez trop loin du produit ou un objet bloque la trajectoire. Rapprochez-vous ou passez à une trajectoire plus claire. ▶ Le produit n'a pas été mis sous tension. Mettez sous tension le produit à l'aide du commutateur On/Off (Marche/Arrêt) (F) ou branchez-le à la prise de courant.
Flamme visible faible ou médiocre ou les cristaux ne sont pas luisants.	<ul style="list-style-type: none"> ▶ Les ampoules LED du produit sont grillées ou le câblage est mal fixé. Contactez du personnel technique qualifié.

12. Mise au Rebut des Batteries



Ne mettez pas au rebut les batteries usagées avec vos déchets ménagers. Déposez-les à un point de collecte approprié.

13. Caractéristiques

Numéro du modèle :	BLT-999W-13/42po/EF-WM362 MO BLT-999W-13/50po/ EF-WM363 MO BLT-999W-13/60po/ EF-WM364 MO BLT-999W-13/72po / EF-WM365 MO
Tension nominale :	120 V CA, 60 Hz
Consommation d'énergie par réglage :	Faible : 650 W (0,65 kW/heure) Forte : 1 300 W (1,3 kW/heure)

13.1 Télécommande

Type de tension/piles :	3 V  , 1 x CR2025 (Lithium)
Gamme :	16 pi (5 m) sans obstructions

14. Vos avis et aide et extension de garantie

Faites Part de Votre Évaluation et Prolongez Votre Garantie

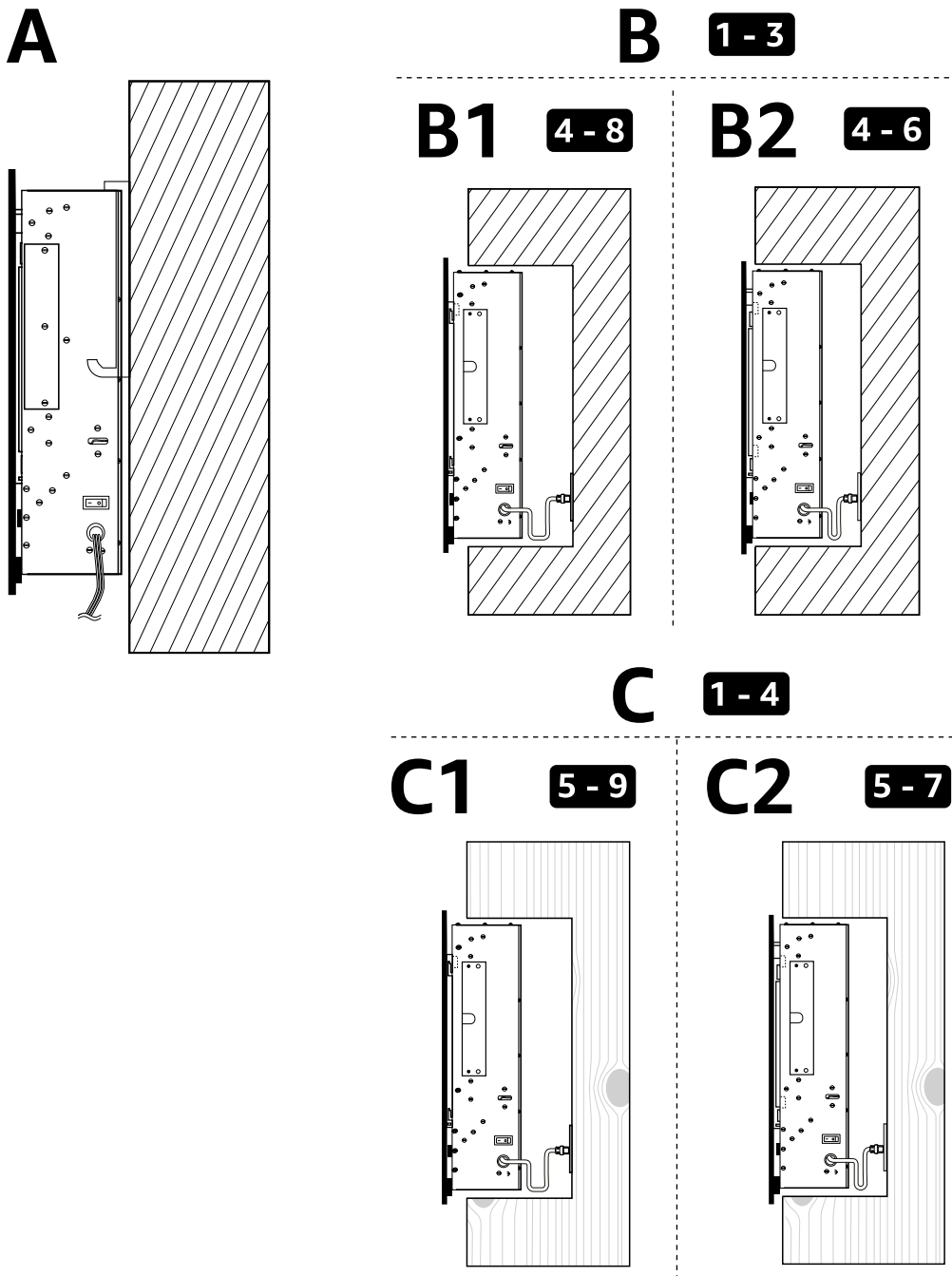
Nous désirons connaître votre opinion sur nos produits ... et nous vous invitons à la partager!

Laissez simplement votre opinion concernant le produit sur le site internet du détaillant où vous avez fait votre achat ou au www.jrhome.com et remplissez la fiche de garantie en ligne au <https://www.jrhome.com/warranty-registration> afin de recevoir gratuitement une prolongation d'un an de la garantie de protection.

Contactez-nous par email à customercare@jrhome.com ou appelez-nous sans frais à **(800) 561-5550, 7:30 a.m. - 4:00 p.m., HAP, Lundi - Vendredi**

16. Installation

16.1 Type d'Installation



A Montage en surface

B1 Encastré partiel : cloison sèche

B2 Entièrement encastré : cloison sèche

C1 Encastré partiel : montants en bois

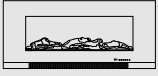
C2 Entièrement encastré : montants en bois



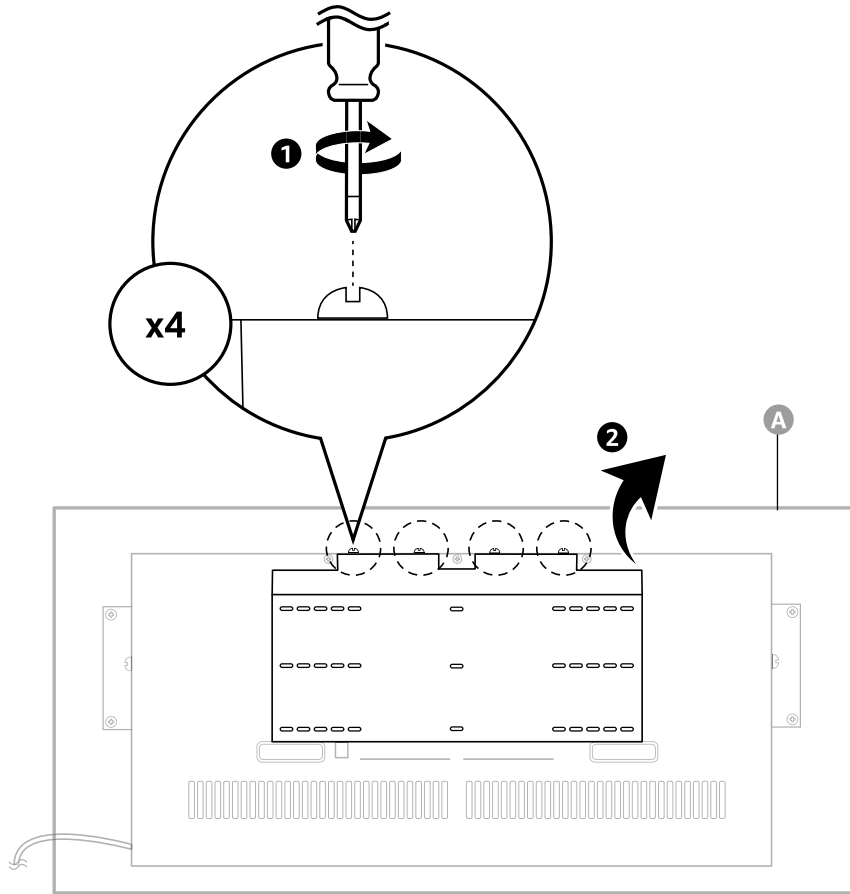
FR Montage

A

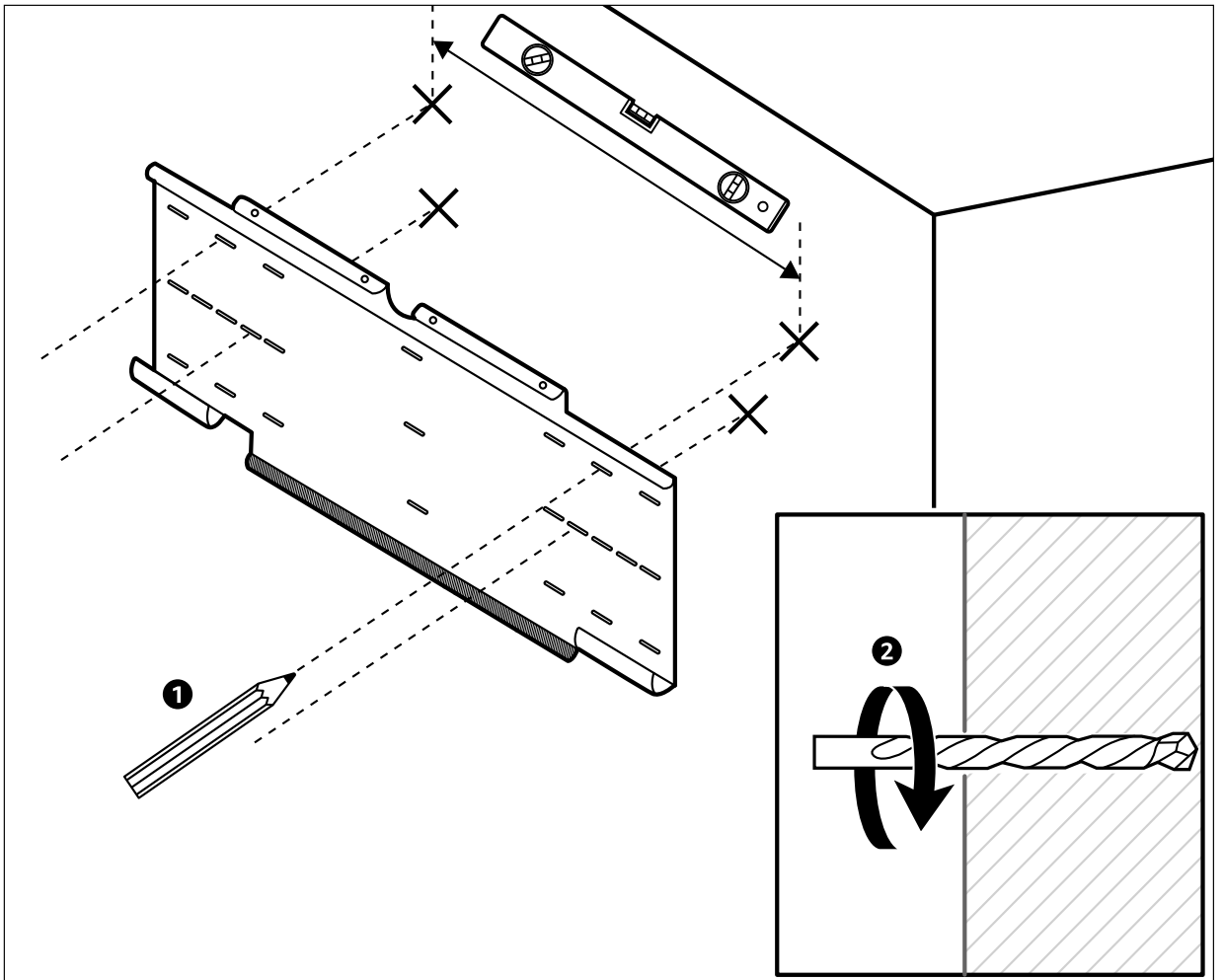
1



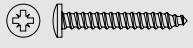
A (x 1)



2



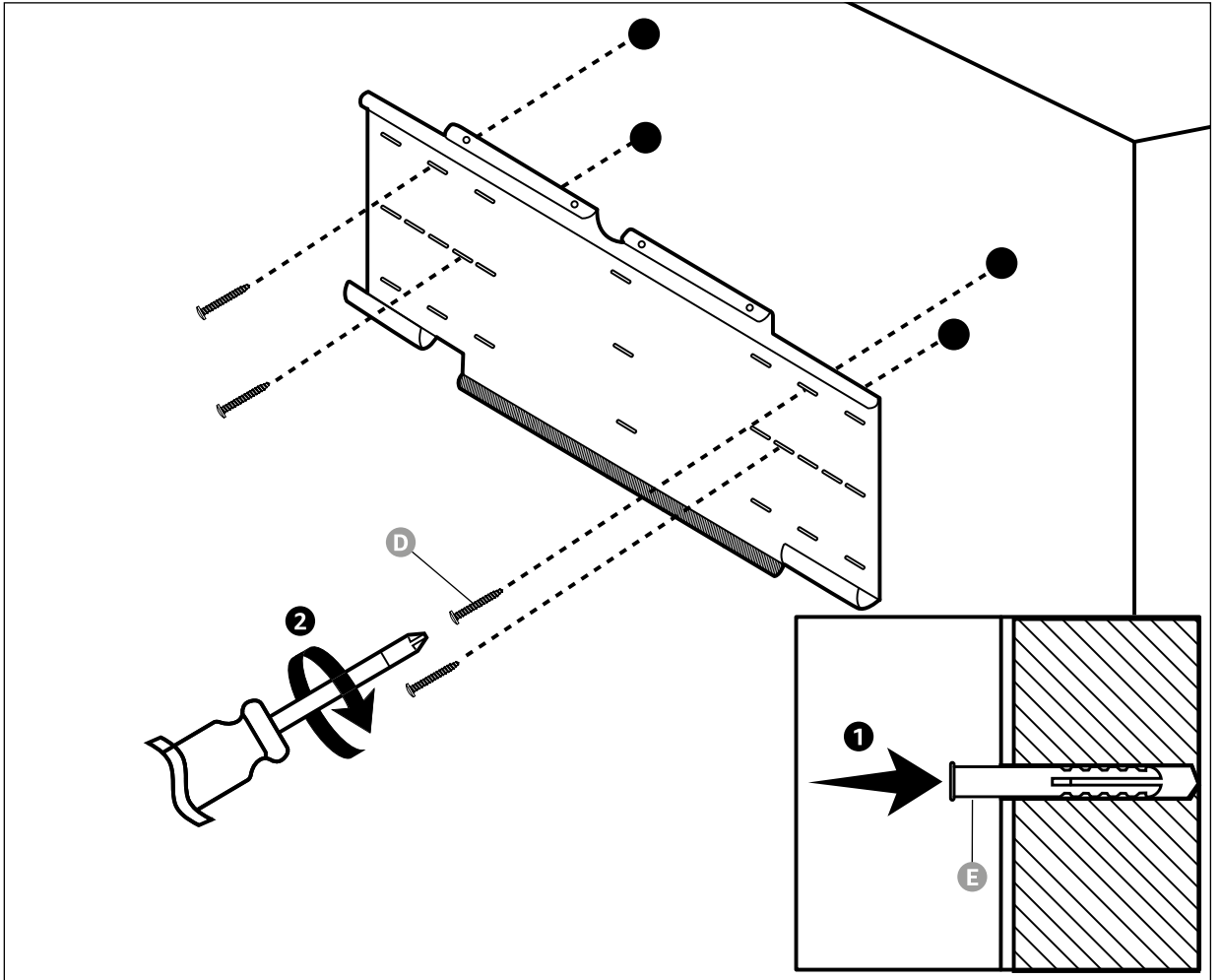
3



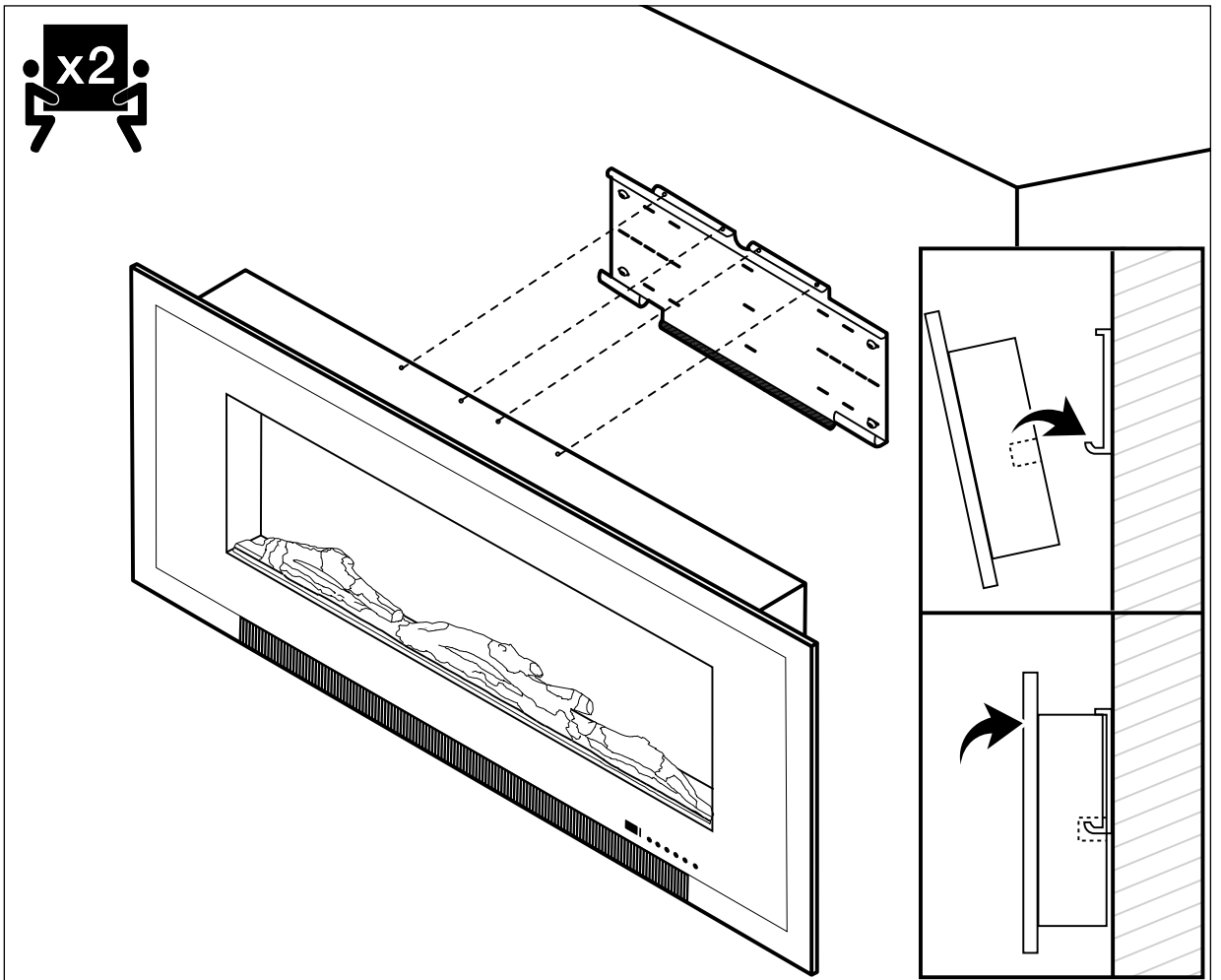
D (x 4)



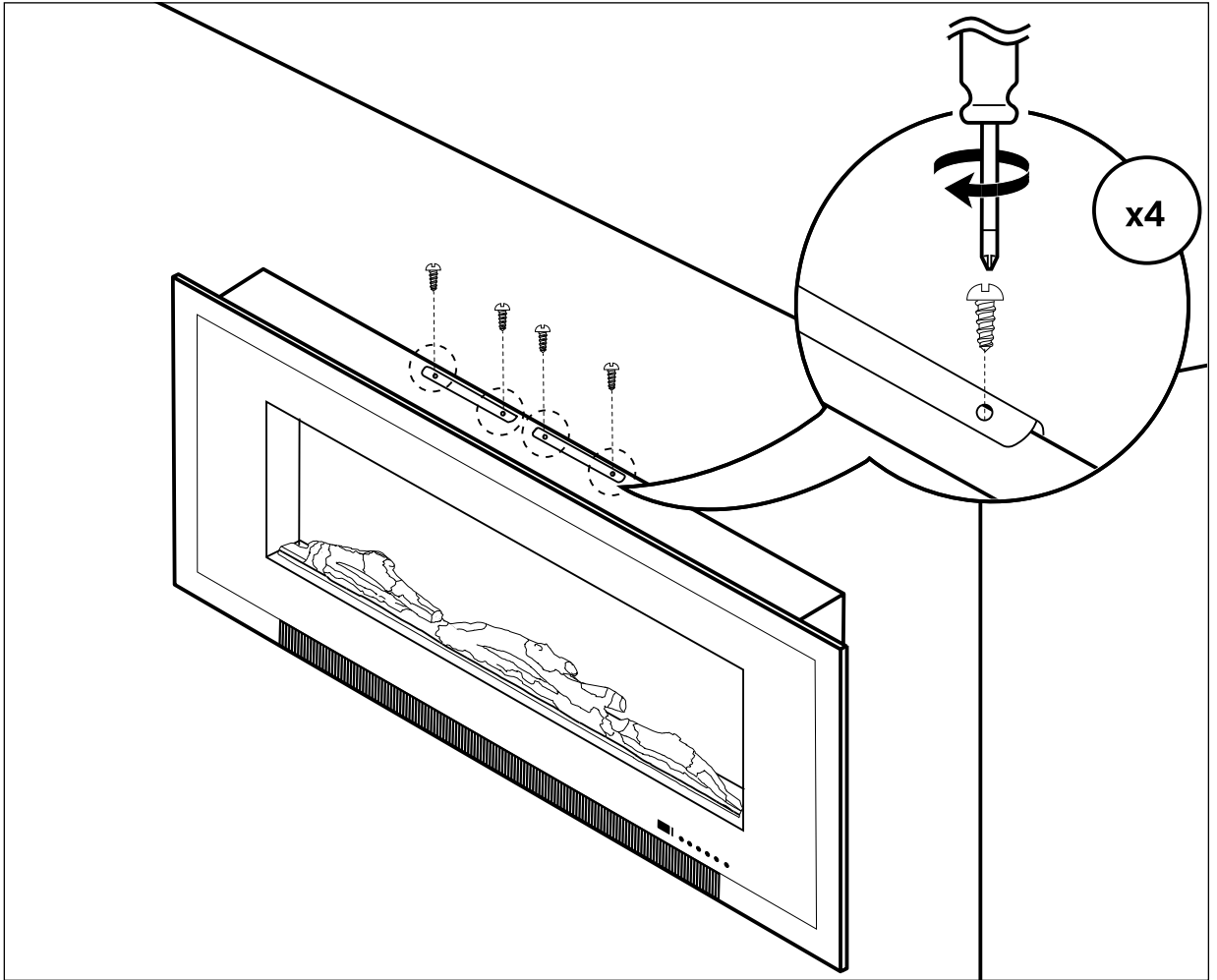
E (x 4)



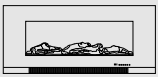
4



5

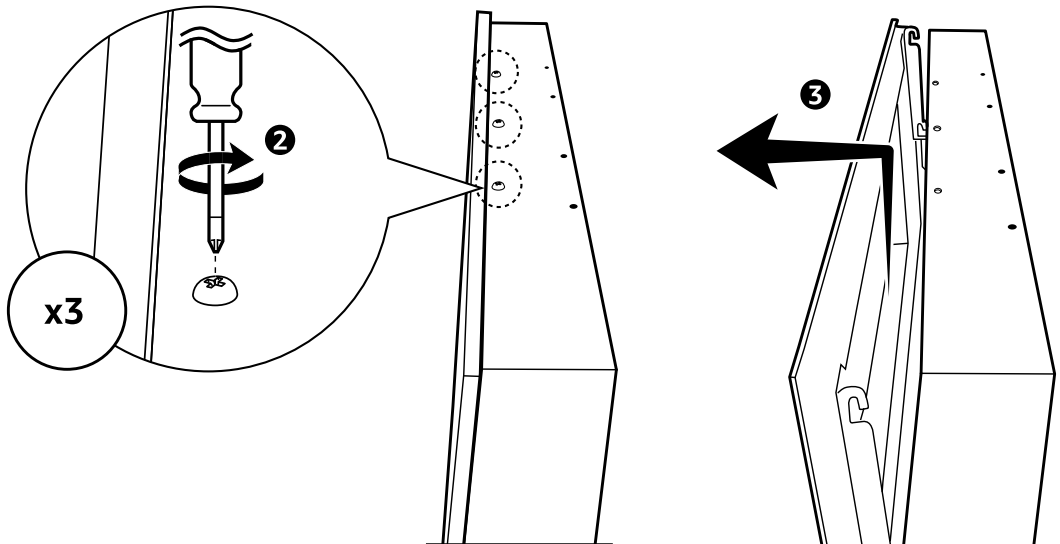
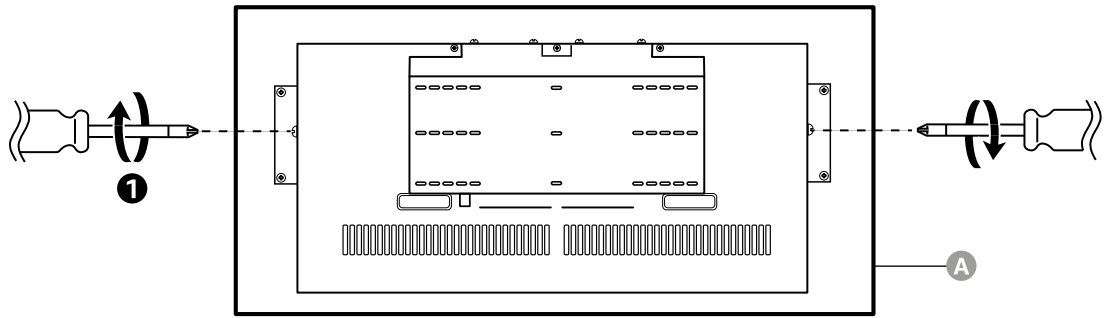


1



A (x 1)

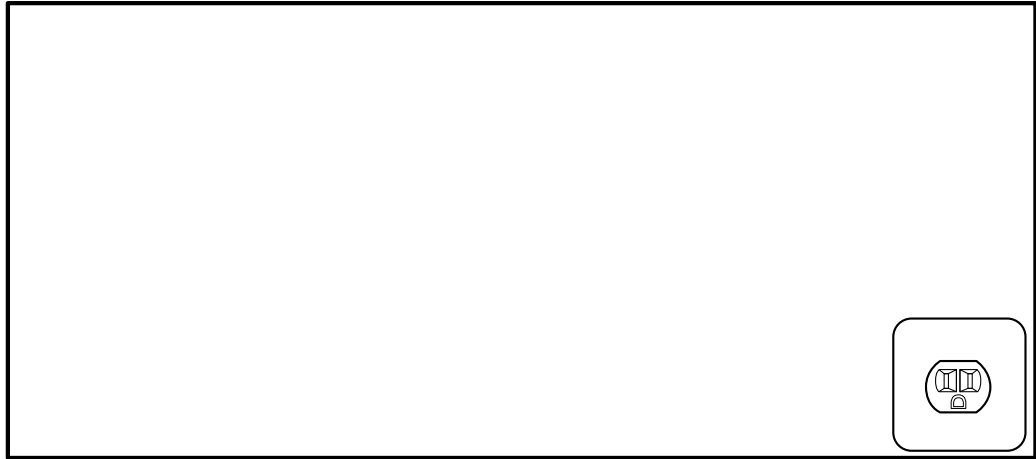
B



2

REMARQUE Une prise de courant spécifique doit être installée à l'intérieur de l'ouverture murale encastrée. Prévoyez un espace minimum de 3,9 po (10 cm) entre le dos du produit et une prise de courant. La prise de courant doit être reliée à un interrupteur bipolaire de 16 A accessible. En cas de doute, veuillez contacter un électricien professionnel.

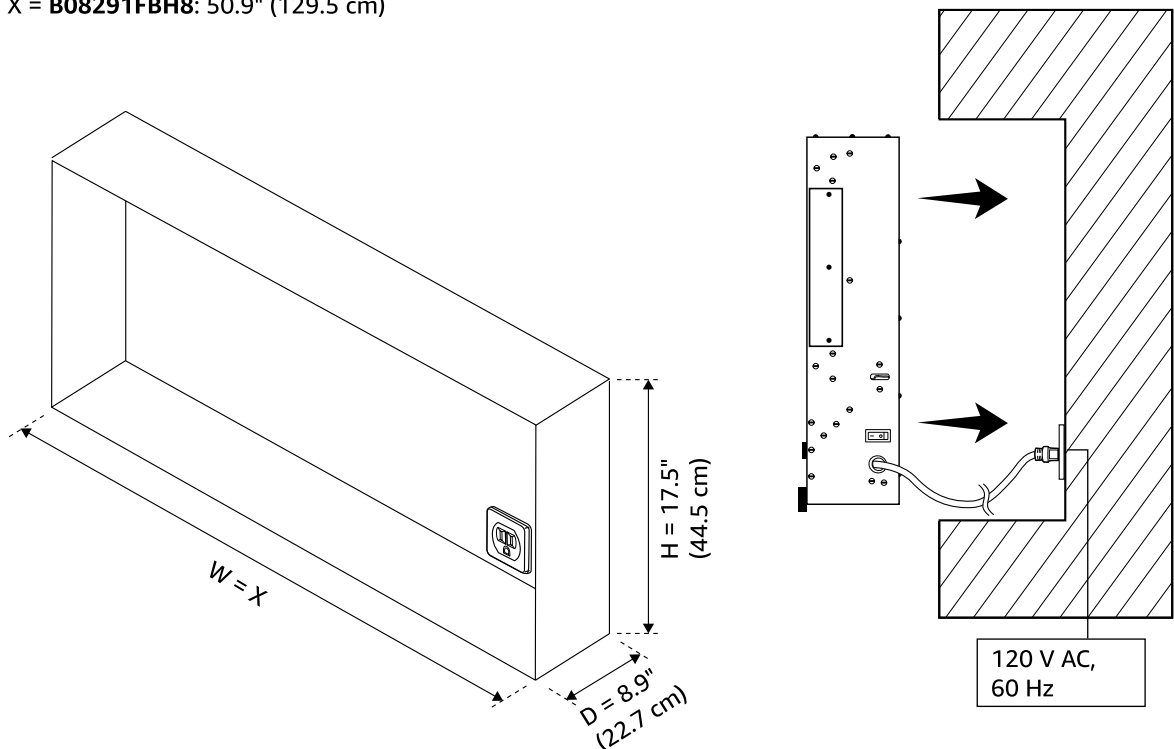
REMARQUE Positionnez le commutateur d'alimentation sur « I » (produit sous tension) avant de fixer le produit dans l'ouverture murale encastrée.

**3**

X = B08291MFPB: 32.8" (83.4 cm)

X = B08291VM5W: 40.9" (104.1 cm)

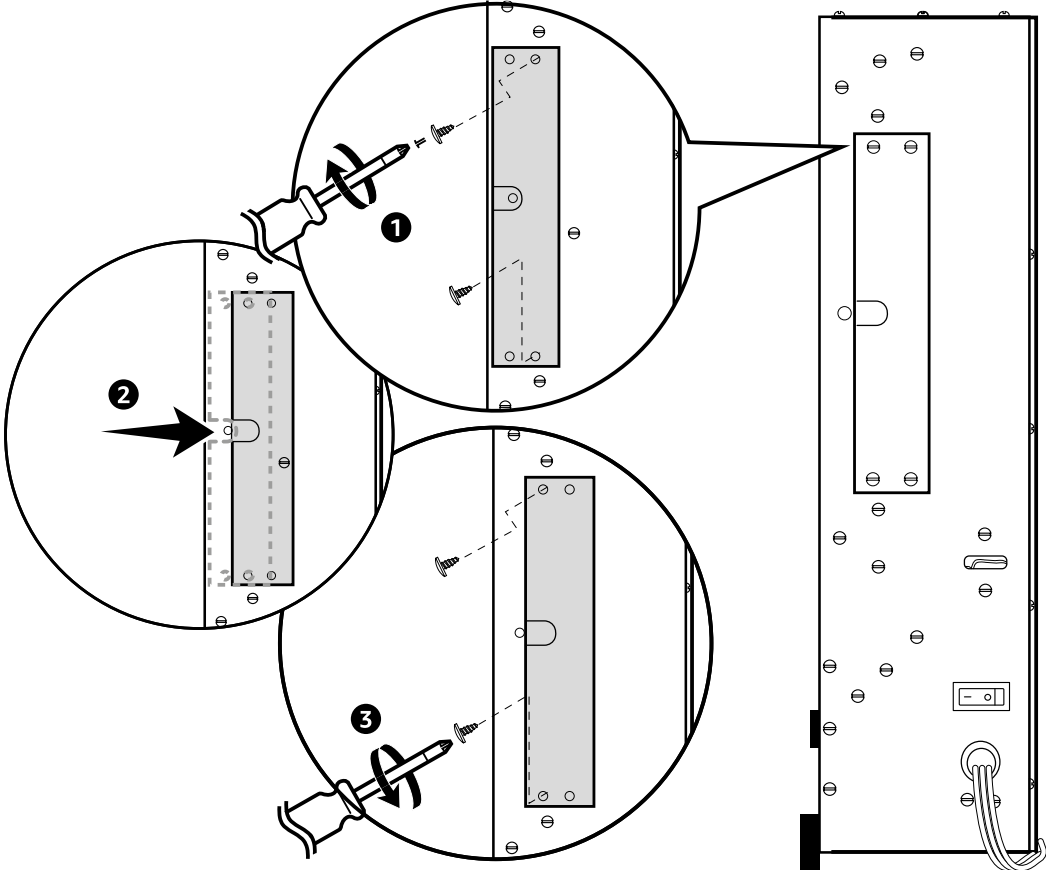
X = B08291FBH8: 50.9" (129.5 cm)



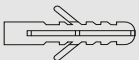
REMARQUE Évitez de tendre les parties extrêmement pliées du cordon d'alimentation après le branchement. Disposez correctement le cordon d'alimentation avant de placer le produit dans le mur.

4

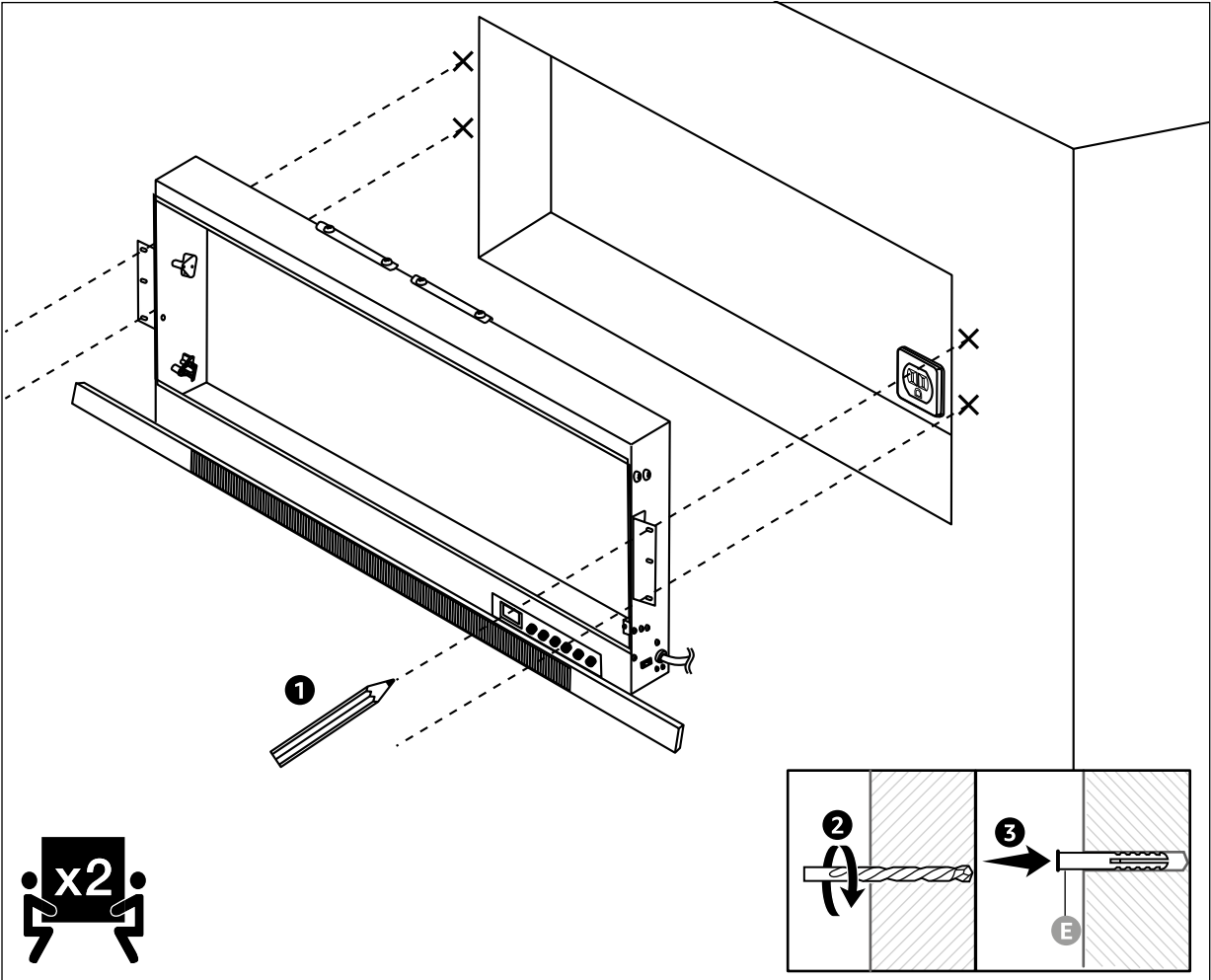
B1



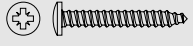
5



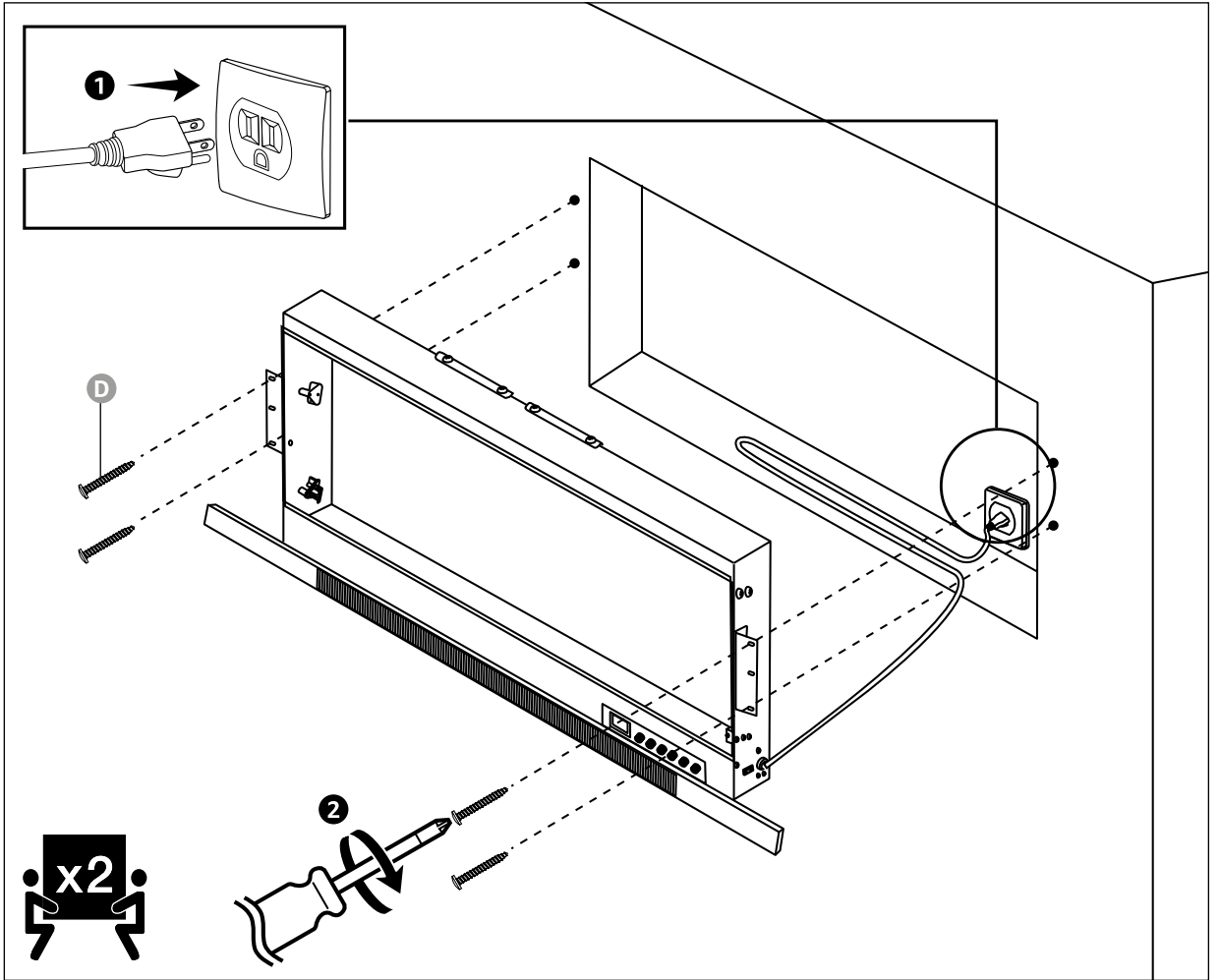
E (x 4)



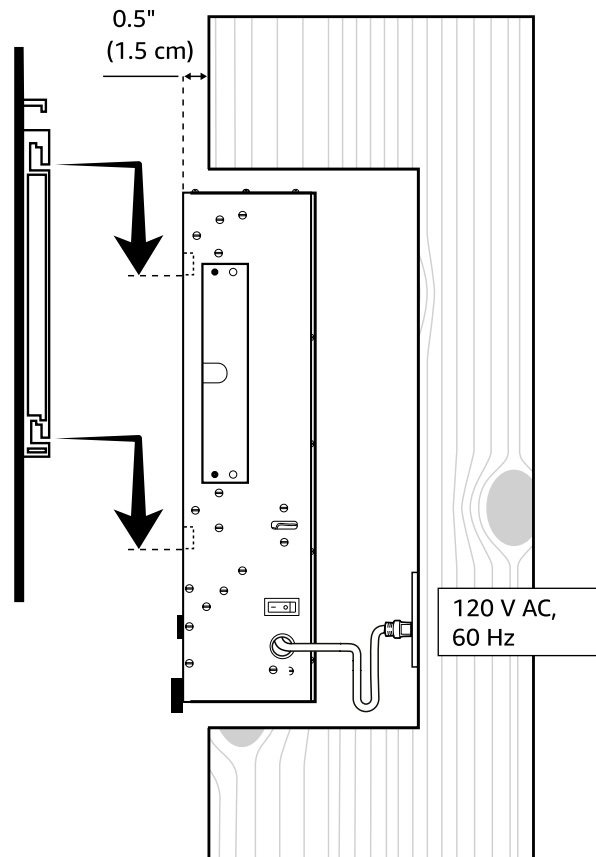
6

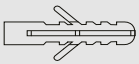
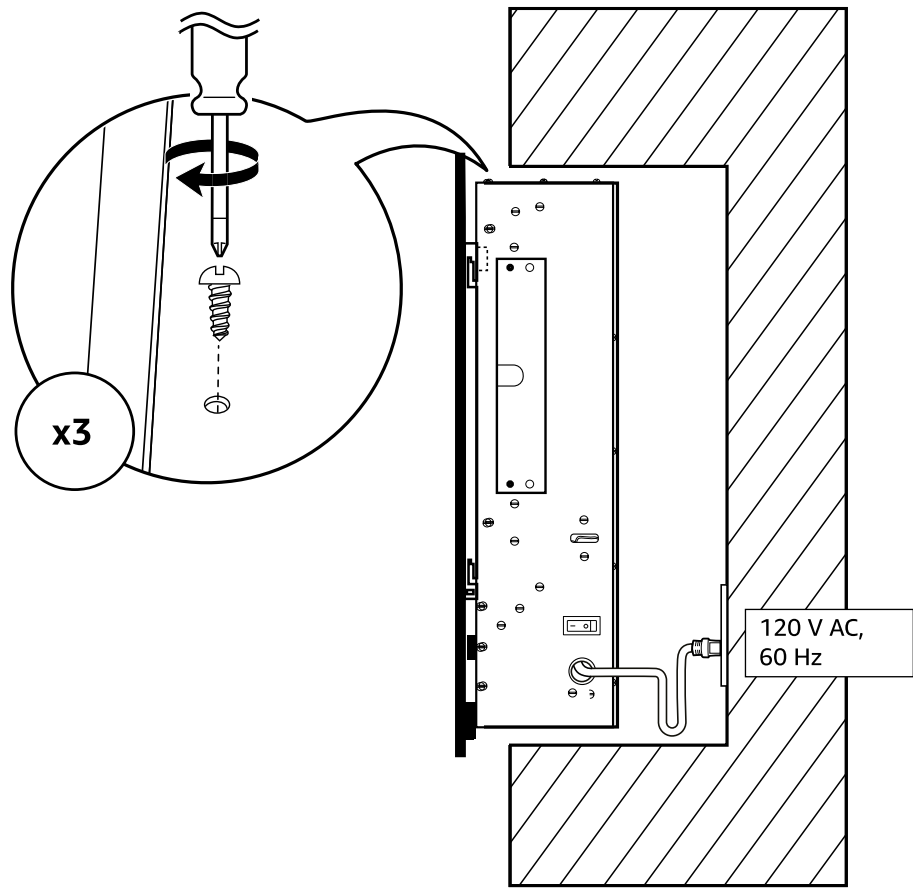


D (x 4)



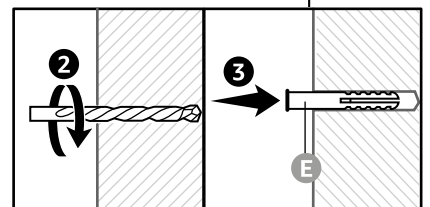
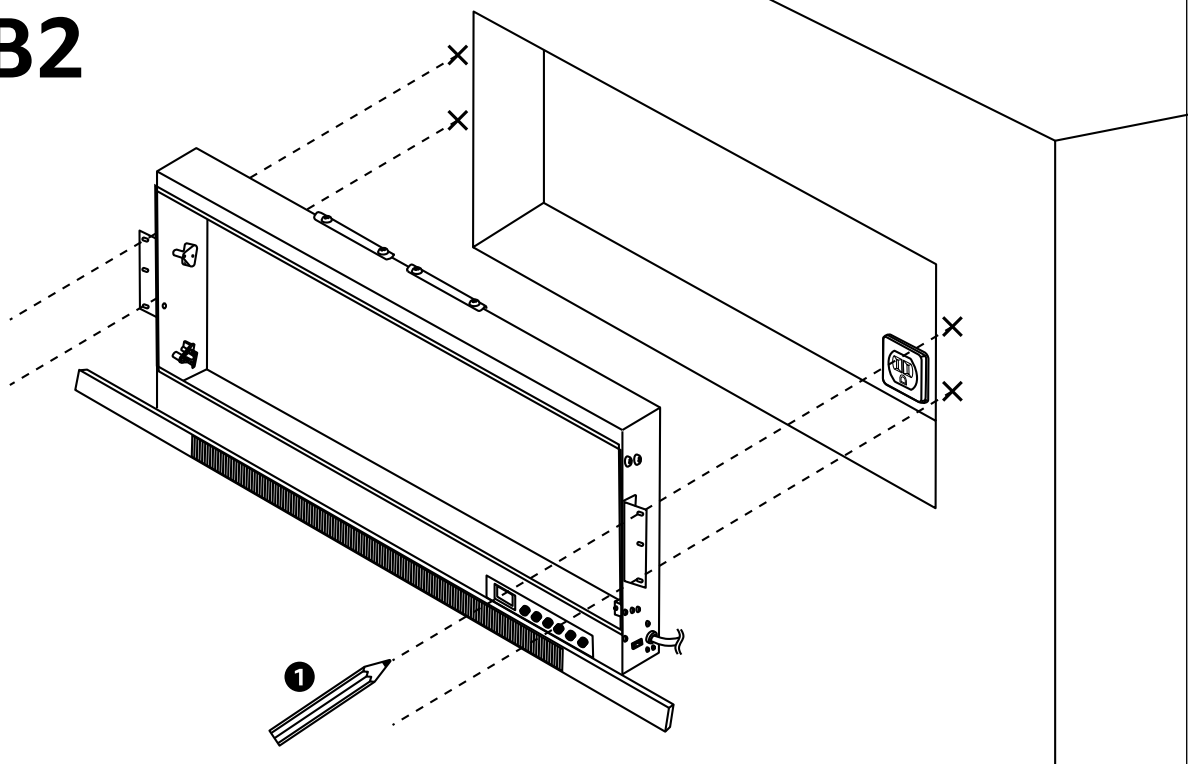
7



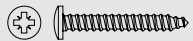


E (x 4)

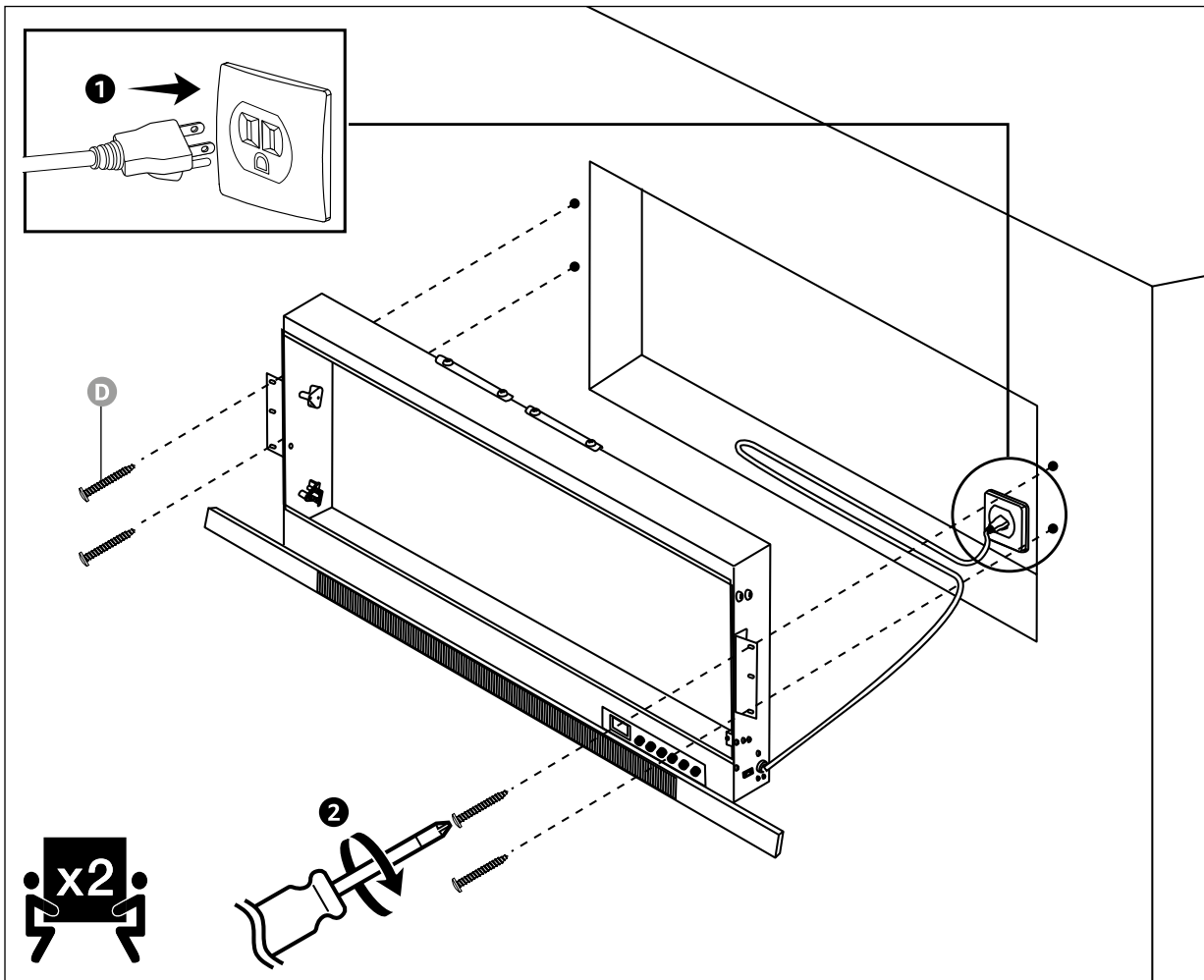
B2



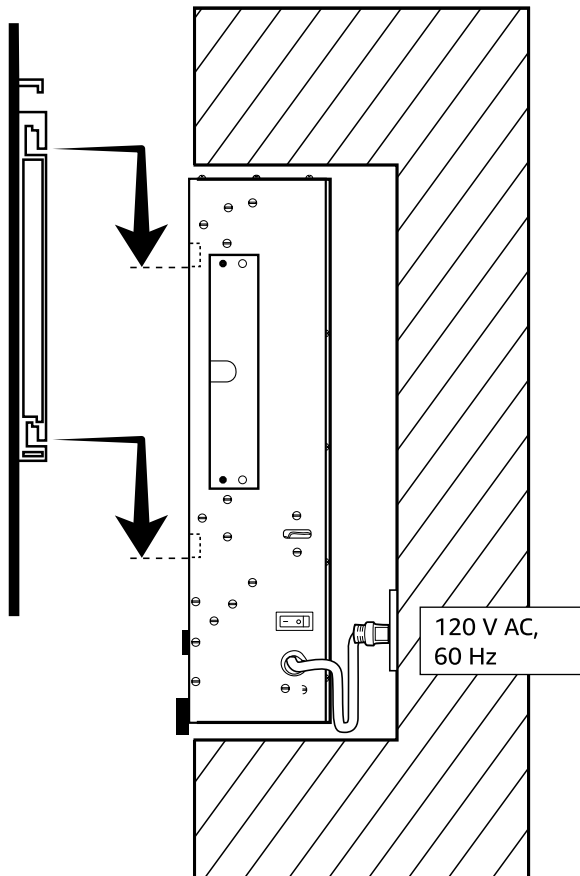
5

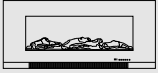


D (x 4)

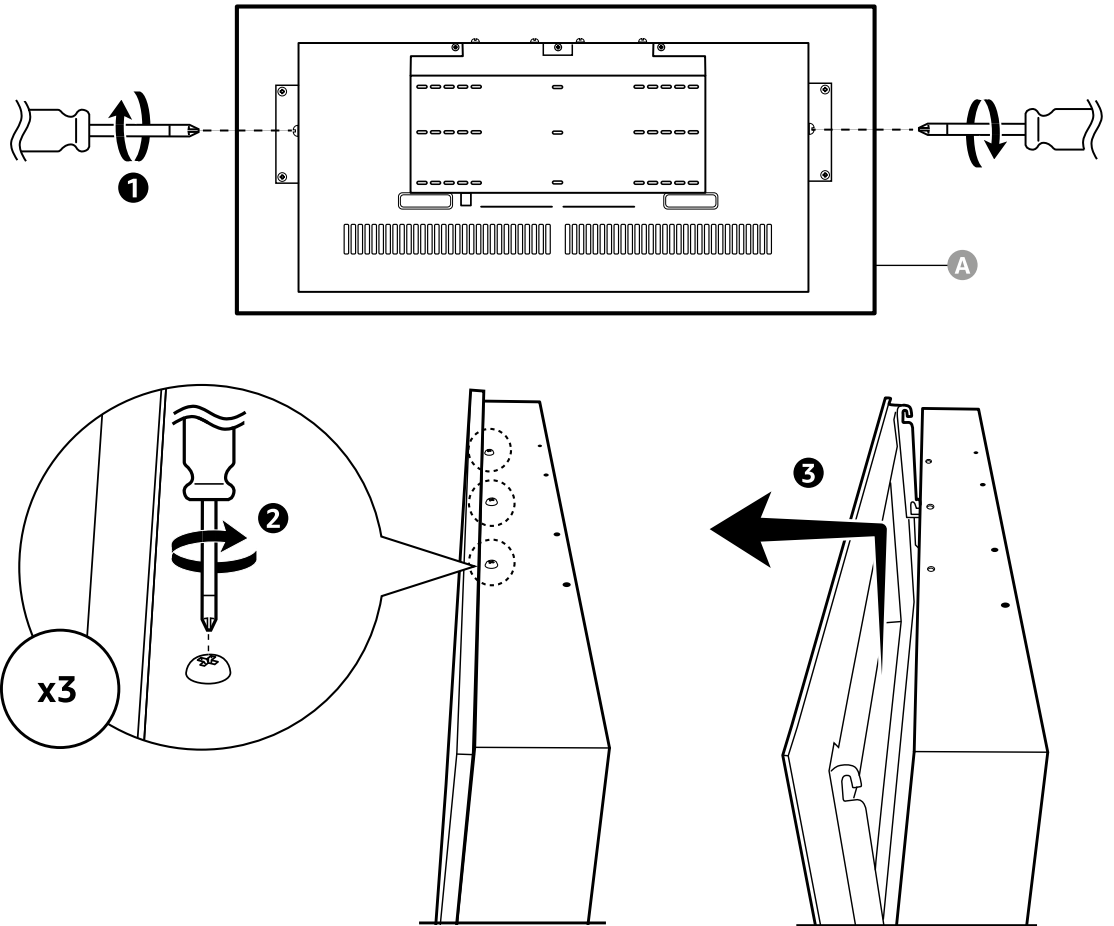


6



1

A (x 1)

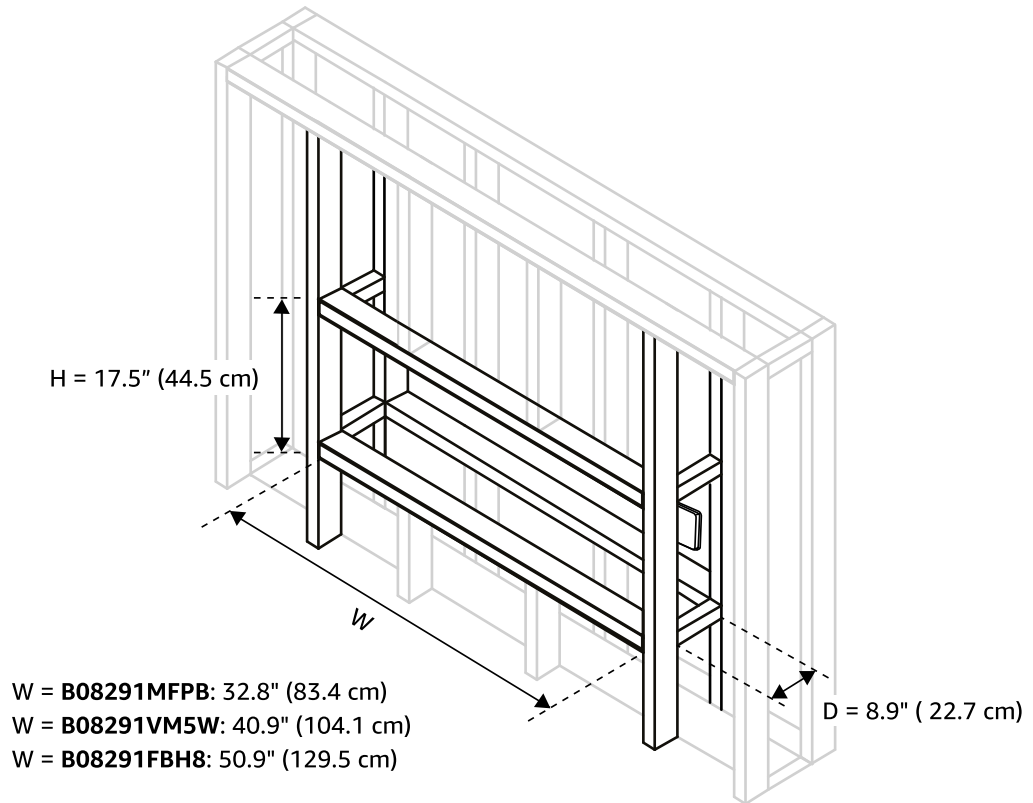
C**2**

REMARQUE Une prise de courant spécifique doit être installée à l'intérieur de l'ouverture murale encastrée. Prévoyez un espace minimum de 3,9 po (10 cm) entre le dos du produit et une prise de courant. La prise de courant doit être reliée à un interrupteur bipolaire de 16 A accessible. En cas de doute, veuillez contacter un électricien professionnel.

REMARQUE Positionnez le commutateur d'alimentation sur « I » (produit sous tension) avant de fixer le produit dans l'ouverture murale encastrée.



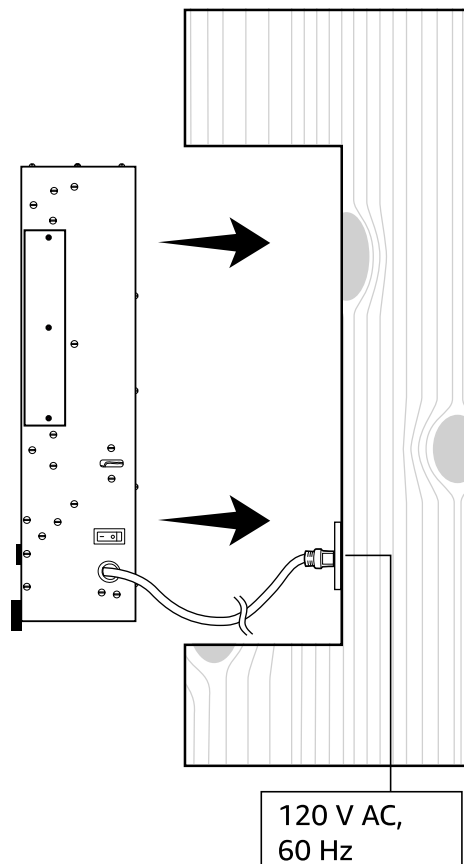
3



⚠ ATTENTION Risque de blessures ou d'endommagement du produit!

Choisissez un emplacement comportant au minimum deux montants muraux capables de supporter le poids du produit.

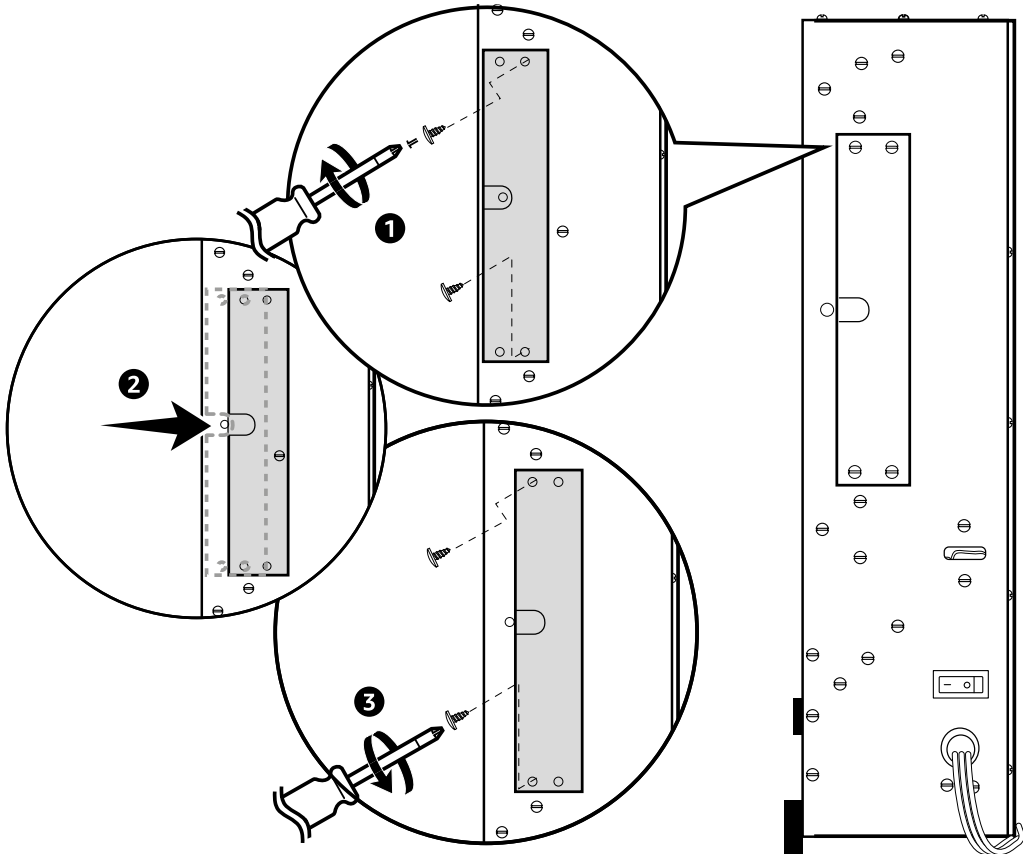
4



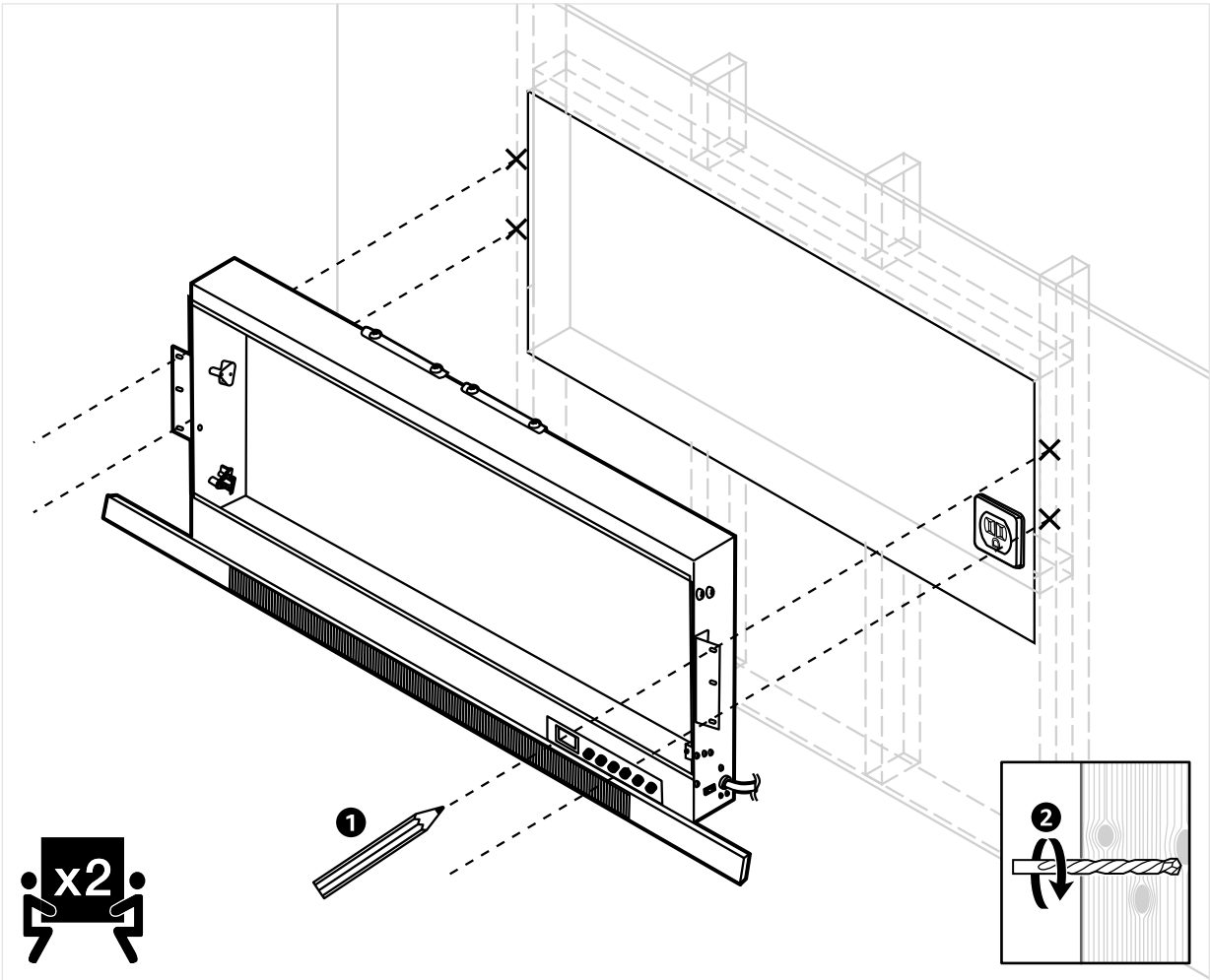
REMARQUE Évitez de tendre les parties extrêmement pliées du cordon d'alimentation après le branchement. Disposez correctement le cordon d'alimentation avant de placer le produit dans le mur.

5

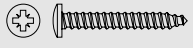
C1



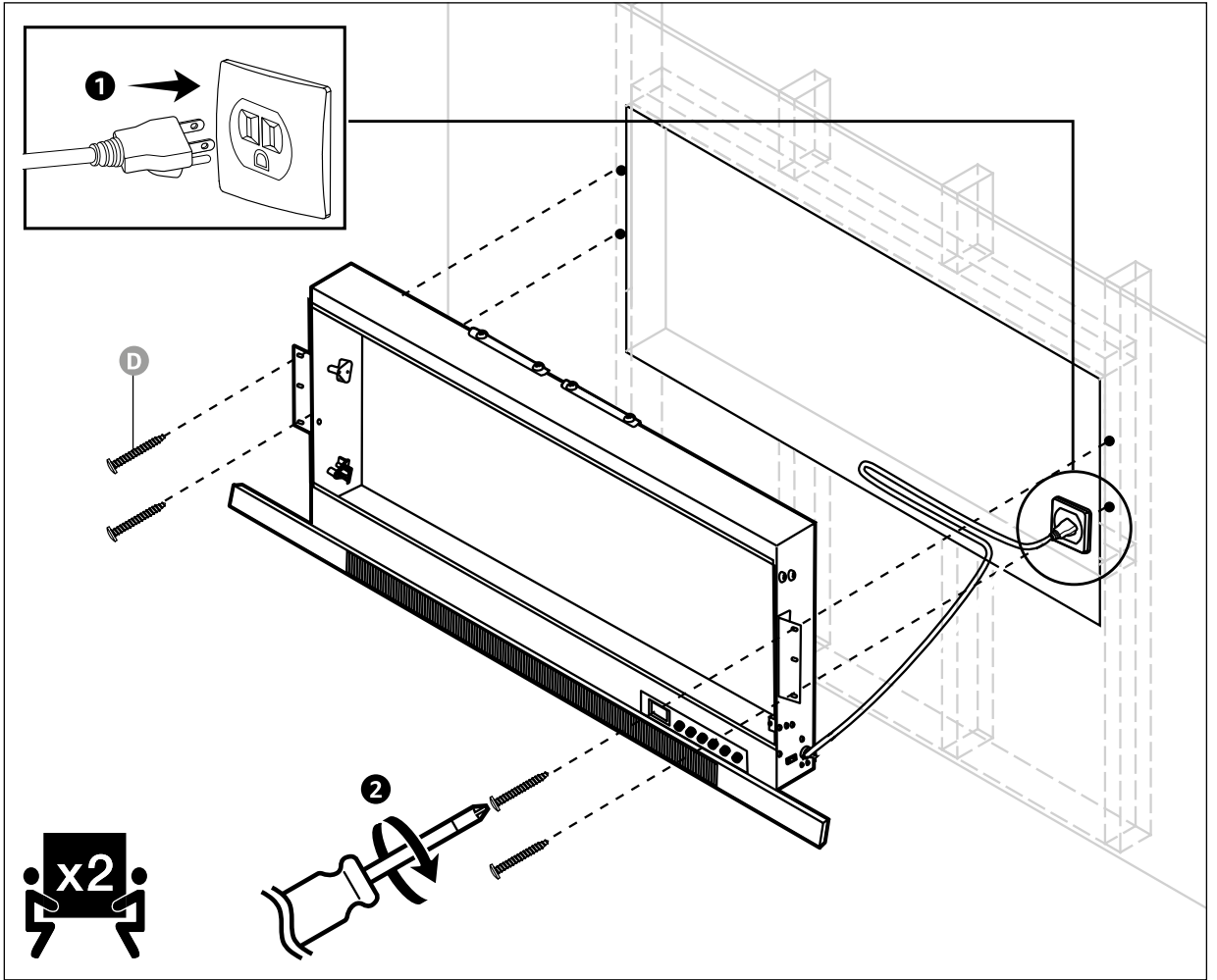
6



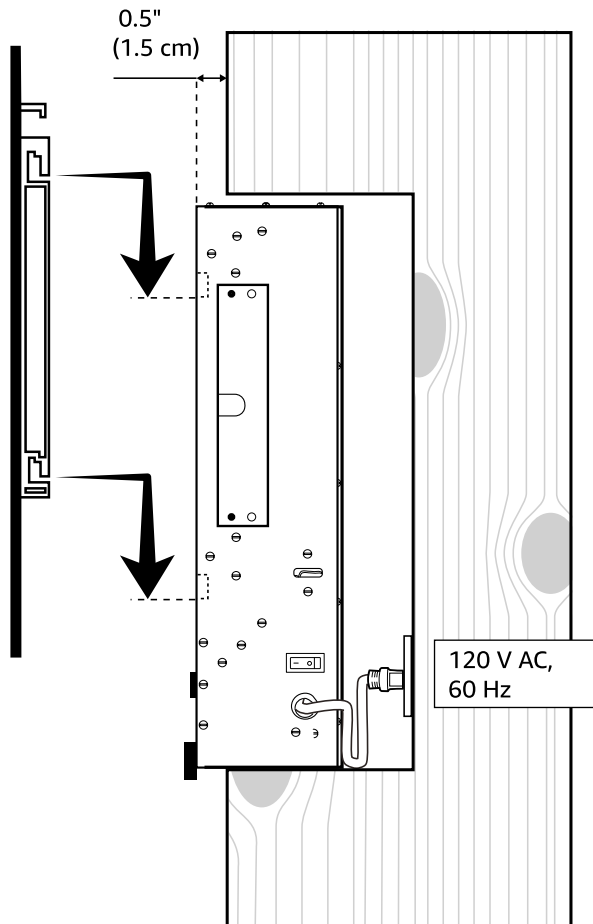
7

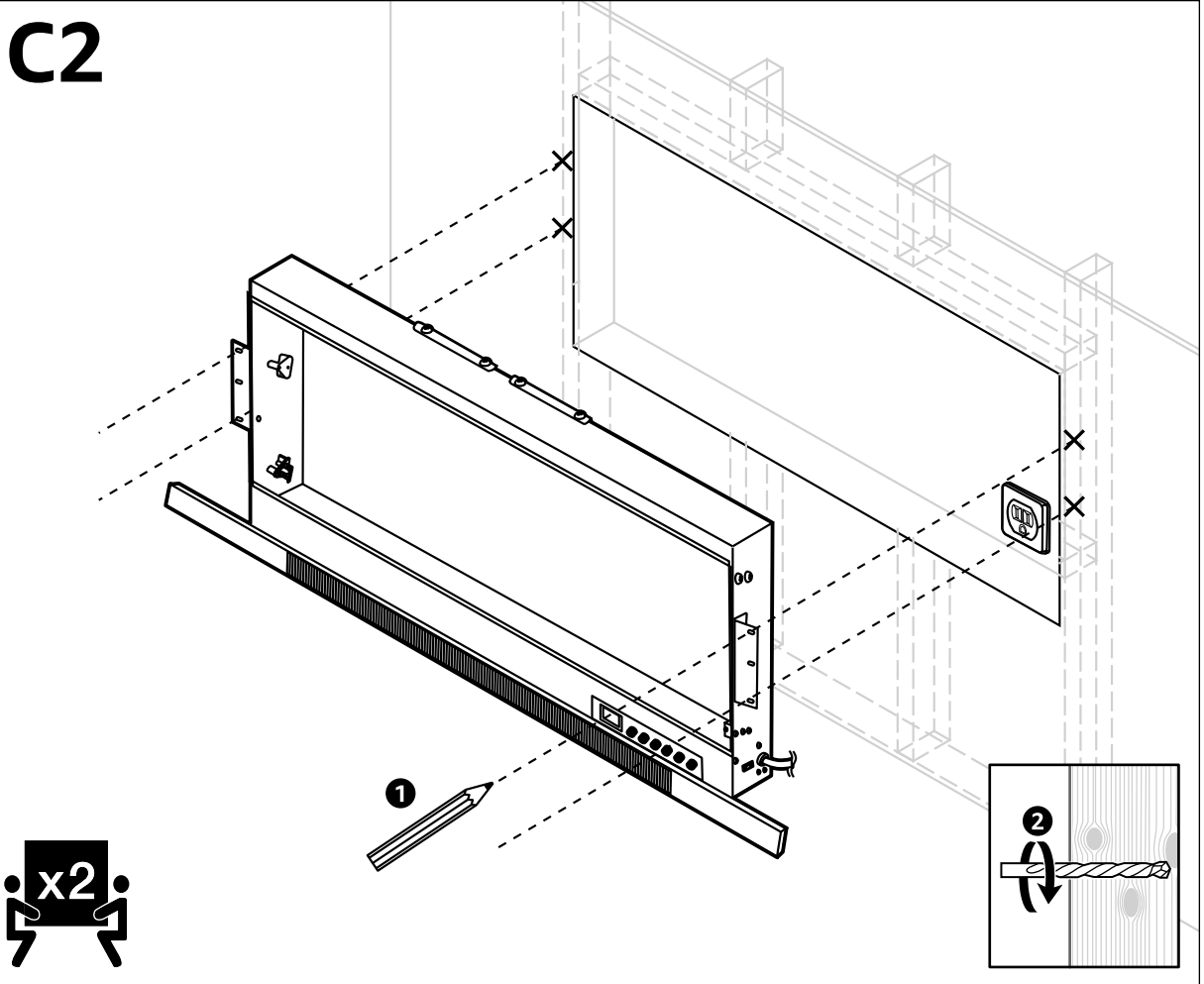
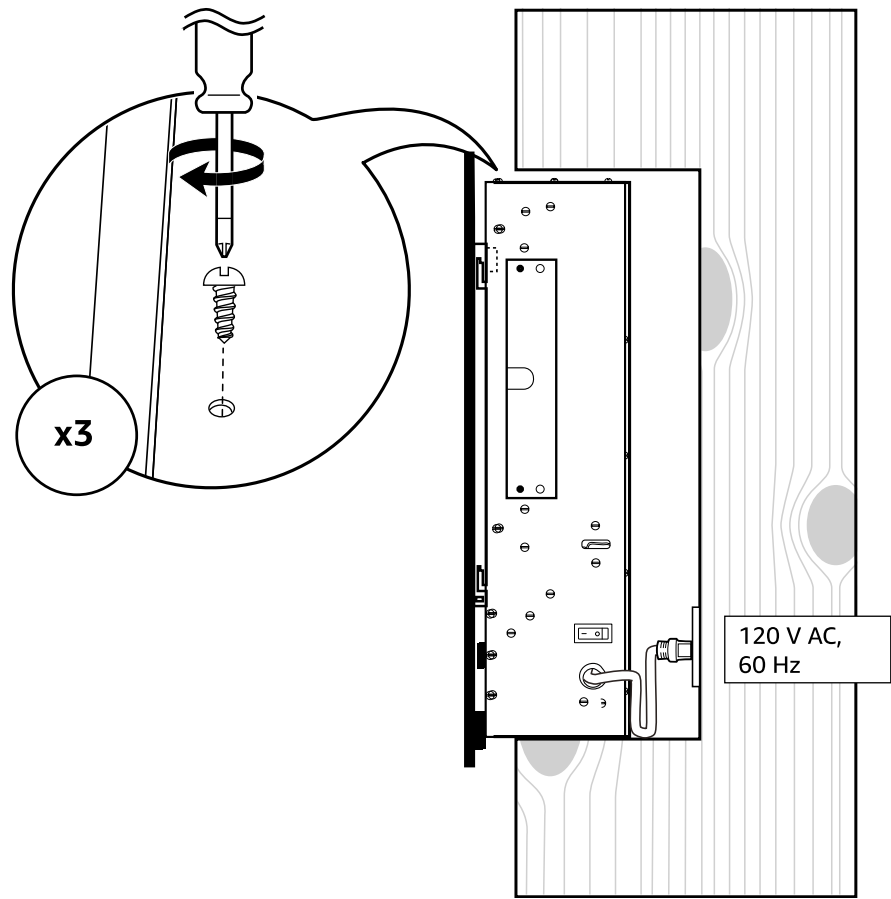


D (x 4)

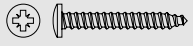


8

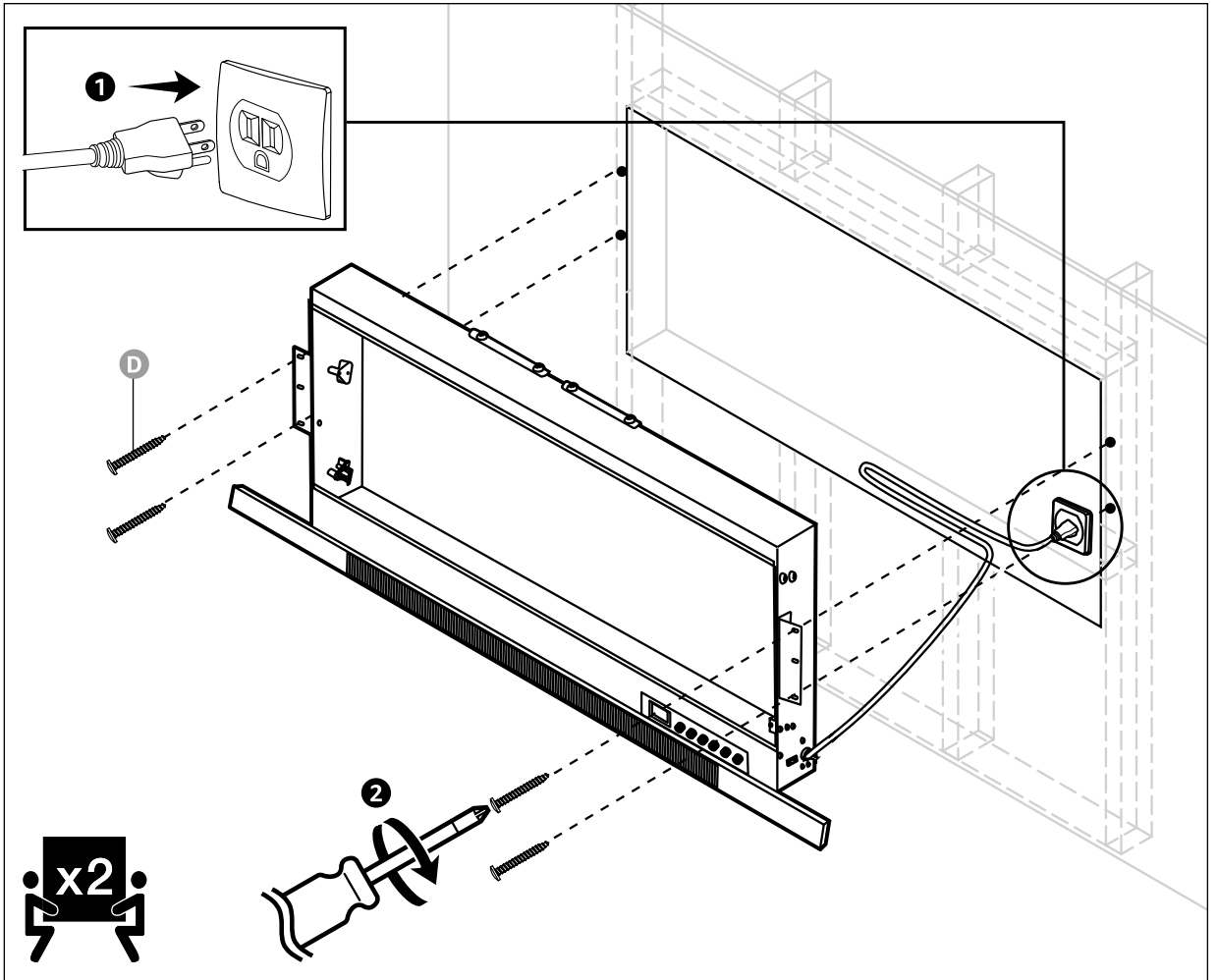




6



D (x 4)



7

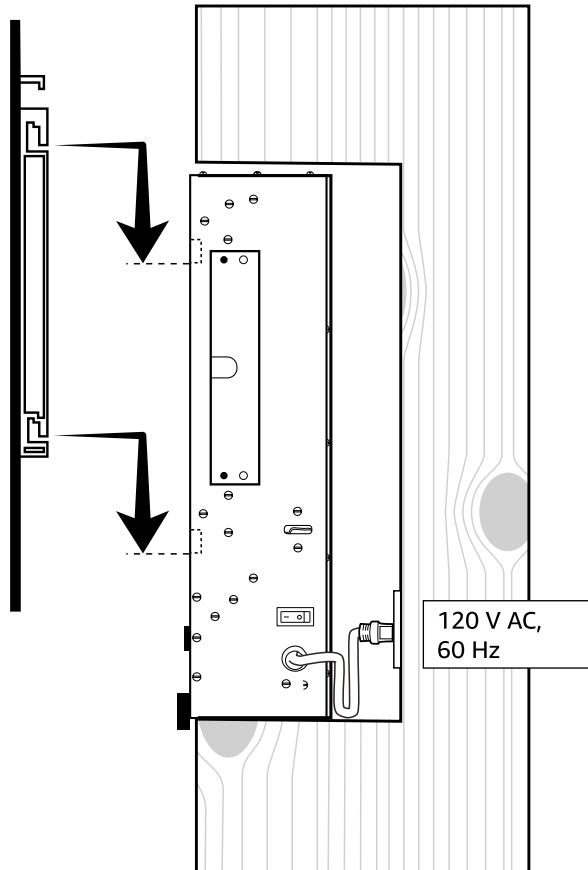


Table of Contents

1. Consideraciones de seguridad importantes	51
2. Advertencias sobre las baterías	52
3. Instrucciones para la conexión a tierra	53
4. Uso previsto	53
5. Antes de Usar por Primera Vez	53
6. Descripción del producto	54
7. Consejos de instalación	54
8. Funcionamiento	54
8.1 Encendido/apagado	54
8.2 Ajuste de la temperatura	55
8.3 Cambio del nivel de potencia	55
8.4 Cambio del color de la llama	55
8.5 Cambio del color del ámbar	55
8.6 Configuración del temporizador	55
8.7 Cambio entre Fahrenheit y Celsius	55
8.8 Cambio entre troncos y cristales	55
9. Cambio de Batería	56
10. Limpieza y Mantenimiento	56
10.1 Limpieza	56
10.2 Mantenimiento	56
11. Resolución de Problemas	56
12. Eliminación de la Batería	57
13. Eliminación (solo para México)	57
14. Especificaciones	57
14.1 Control remoto	57
15. Comentarios y ayuda	57
16. Dimensiones del producto	58
17. Instalación	59
17.1 Tipo de instalación	59



PRECAUCIÓN

RIESGO DE DESCARGA ELÉCTRICA NO ABRIR
NO CONTIENE PIEZAS REPARABLES POR EL
USUARIO



1. CONSIDERACIONES DE SEGURIDAD IMPORTANTES

Al usar dispositivos eléctricos, se deben tener precauciones básicas para reducir el riesgo de incendios, descargas eléctricas y lesiones, incluidas las siguientes:

⚠ ADVERTENCIA ¡Riesgo de incendio!

Para evitar sobrecalentamientos, no cubra el calefactor. No coloque objetos en contacto con el calefactor.

⚠ ADVERTENCIA ¡Riesgo de lesiones!

El electrodoméstico no se debe usar si el panel de vidrio está dañado.

⚠ PRECAUCIÓN ¡Riesgo de quemaduras!

Algunas piezas de este producto pueden calentarse mucho y provocar quemaduras. Se debe tener especial cuidado cuando haya niños y personas vulnerables presentes.

- Lea todas las instrucciones antes de usar este calefactor.
- El largo del cable de alimentación es de 6 pies (182.8 cm). Nunca use el producto con un cable de extensión ni con una regleta (enchufe múltiple).
- Este calefactor se calienta durante el uso. Para evitar quemaduras, no toque las superficies calientes con su piel expuesta. Si el calefactor tiene manillas, úselas para moverlo. Mantenga los materiales combustibles tales como muebles, almohadas, ropa de cama, papel, prendas y cortinas a al menos 3 pies (2 metros) del frente del calefactor y alejados de los costados y parte posterior.
- Se debe tener extremo cuidado si el calefactor es usado por o cerca de niños o minusválidos, y siempre que el calefactor se deje funcionando sin supervisión.
- No use ningún calefactor que tenga el cable o clavija dañados, ni después de que haya funcionado de forma incorrecta, se haya caído o sufrido cualquier tipo de daño. Deseche el calentador o lleve el calentador a un centro de reparación profesional para su revisión/repación.
- No usar en exteriores.
- Este calefactor no está hecho para usarse en baños, áreas de lavandería o lugares similares. Jamás deje el calefactor donde pueda caerse a una tina u otro contenedor de agua.
- Conecte solo a una toma de corriente debidamente conectada a tierra.

- No inserte ni permita que objetos extraños ingresen a las aberturas de ventilación, ya que esto podría provocar una descarga eléctrica, incendios o daños al calefactor.
- Para evitar un posible incendio, no bloquee las entradas ni salidas de aire de ninguna manera. No usar sobre superficies deformables como camas, donde las aberturas podrían quedar bloqueadas.
- Un calefactor tiene en su interior partes calientes y que emiten chispas o arcos eléctricos. No usar en áreas donde se usen o almacenen gasolina, pintura o líquidos inflamables.
- Use este calefactor sólo como se indica en este manual. Cualquier otro uso no recomendado por el fabricante podría provocar incendios, descargas eléctricas o lesiones a personas.

Para la instalación en muro A:

- Desconecte siempre el electrodoméstico cuando no lo esté usando.
- Para desconectar el calefactor, mueva los controles hacia la posición de apagado y luego saque el enchufe de la toma de corriente.
- No pase el cable por debajo de alfombras. No cubra el cable con alfombras, limpiapiés u objetos similares. No pase el cable bajo muebles o electrodomésticos. Acomode el cable de manera tal que esté lejos de zonas de tráfico y donde nadie pueda tropezarse con él.
- Conecte siempre los calefactores directamente a una toma/receptáculo de corriente. Jamás use con un cable de extensión o alargador reubicable (tomas simples o múltiples).
- Este calefactor tiene un control de límite de temperatura. El producto se apaga automáticamente si el calefactor alcanza una temperatura interna no segura de 239 °C (115 °C). Para restablecerlo, desconecte el producto de la toma de corriente y espere 5 minutos antes de volver a conectarlo y encenderlo.

Para la instalación empotrada B y C:

- Para poder encender y apagar el producto, la toma de corriente debe estar cableada a un interruptor de 16 A de dos polos dedicado y accesible.
- Mueva los interruptores de pared siempre a la posición de apagado cuando no esté en uso.
- Este calefactor tiene un control de límite de temperatura. El producto se apaga automáticamente si el calefactor alcanza una temperatura interna no segura de 239 °C (115 °C). Para restablecerlo, mueva el interruptor de pared a la posición de apagado y espere 5 minutos antes de volver a encenderlo.

GUARDE ESTAS INSTRUCCIONES

2. Advertencias sobre las baterías

⚠ ADVERTENCIA

- ▶ **RIESGO DE INGESTIÓN:** Este producto contiene una batería de celda tipo botón ó moneda.
- ▶ En caso de ingestión se puede producir la **MUERTE** o lesiones graves.
- ▶ Ingerir una batería de celda o botón puede provocar quemaduras químicas internas en apenas **2 horas**.
- ▶ **MANTENGA** las baterías nuevas y usadas **FUERA DEL ALCANCE DE LOS NIÑOS**.
- ▶ Busque atención médica inmediatamente si sospecha de ingestión de una batería o de su inserción dentro de cualquier parte del cuerpo.
- ▶ Deseche inmediatamente cualquier batería usada y manténgalas fuera del alcance de los niños. **NO** deseche las baterías junto con la basura doméstica.
- ▶ Incluso las baterías usadas pueden provocar lesiones graves o la muerte.
- ▶ Llame al centro toxicológico local para recibir información sobre el tratamiento a seguir.



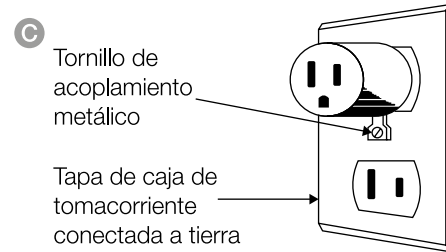
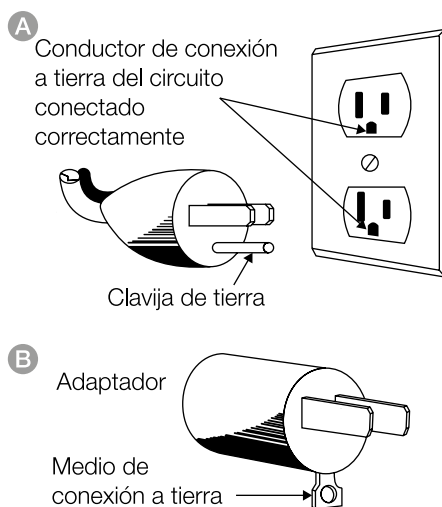
RIESGO DE INGESTIÓN: Este producto contiene una batería de celda tipo botón ó moneda.

- ▶ No mezcle baterías viejas con baterías nuevas, de distintas marcas ni de distintos tipos, como alcalinas con baterías de zinc-carbono o baterías recargables.
- ▶ Retire y deseche inmediatamente las baterías si el producto no se usará durante un periodo extendido.
- ▶ No se debe recargar baterías no recargables.
- ▶ No descargue por la fuerza, recarga, desarme o caliente por sobre la temperatura especificada por el fabricante ni las incinere. Hacerlo puede provocar lesiones por escape, fugas o explosión que dan como resultado quemaduras químicas.
- ▶ **Mantenga las pilas alejadas de los niños.** *En particular, mantenga las pilas que puedan ser ingeridas alejadas de los niños. En caso de ingerir una pila de botón, debe buscarse atención médica de inmediato.*
- ▶ Los niños no deben sustituir las pilas sin la supervisión de un adulto.
- ▶ **Inserte siempre las pilas correctamente según la polaridad (+ y -) marcada en la pila y en el producto.** *Si las pilas se introducen al revés, pueden sufrir un cortocircuito o cargarse. Esto puede provocar un sobrecalentamiento, fuga, emanación de gases, ruptura, explosión, incendio o daños personales.*
- ▶ **No provoque ningún cortocircuito en las pilas.** *Cuando los terminales positivos (+) y negativos (-) de la pila entran en contacto eléctrico entre ellos, la pila puede sufrir un cortocircuito. Por ejemplo, las pilas sueltas dentro de un bolsillo con llaves o monedas pueden cortocircuitarse. Esto puede producir una fuga, emanación de gas, explosión, incendio y daños personales.*
- ▶ **No cargue las pilas.** *Si intenta cargar una pila no recargable (primaria), puede ocasionar una generación interna de gas y/o calor, lo que a su vez podría causar una fuga, emanación de gas, explosión, incendio y daños personales.*
- ▶ **No provoque la descarga de las pilas.** *Si las pilas se descargan a la fuerza por medio de una fuente de energía externa, la tensión de la pila se verá forzada por debajo de su capacidad de diseño y se generarán gases dentro de la pila. Esto puede producir una fuga, emanación de gas, explosión, incendio y daños personales.*
- ▶ **Las pilas agotadas deben extraerse inmediatamente del equipo y desecharse correctamente.** *Si las pilas descargadas se guardan dentro del equipo durante un largo período de tiempo, puede producirse una fuga de electrolito, lo que a su vez puede causar daños al equipo y/o lesiones personales.*
- ▶ **No caliente las pilas.** *Si una pila se expone al calor, este puede provocar una fuga, emanación de gas, explosión o incendio y causar lesiones personales.*
- ▶ **No realice ningún tipo de soldadura directamente en las pilas.** *El calor de la soldadura directamente a una pila puede provocar una fuga, emanación de gas, explosión o incendio y causar lesiones personales.*

- ▶ **No desmonte las pilas.** Al desmontar o separar una pila, el contacto con sus componentes puede ser perjudicial y provocar lesiones personales o un incendio.
- ▶ **No deforme las pilas.** Las pilas no se deben aplastar, perforar o mutilar de ninguna manera. Este tipo de acción puede provocar una fuga, emanación de gas, explosión o incendio y causar lesiones personales.
- ▶ **No deseche las pilas en el fuego.** Si las pilas se arrojan al fuego, la acumulación de calor puede provocar una explosión y/o incendio y daños personales. No incinere las pilas excepto para eliminarlas correctamente en un incinerador controlado.
- ▶ **Si el recipiente de la pila de litio está dañado, no lo exponga a agua.** Cuando el metal del litio entra en contacto con el agua puede producir hidrógeno gaseoso, incendios, explosiones y/o provocar lesiones físicas.
- ▶ **No encapsule ni modifique las pilas.** El encapsulamiento o cualquier otra modificación de una pila puede provocar el bloqueo de los mecanismos de alivio de la presión y, en consecuencia, explosiones o lesiones físicas. Deberá consultar al fabricante de las pilas si considera necesario realizar cualquier tipo de modificación.

3. Instrucciones para la conexión a tierra

Este calefactor es apto para usarse con 120 volts. El cable tiene una clavija como la que se indica en la imagen A. Se puede usar un adaptador como el de la imagen B para conectar clavijas con conexión a tierra de tres patas a receptáculos de dos orificios. El conector verde que sale del adaptador se debe conectar a una conexión permanente a tierra de una caja de salida como la que se indica en la imagen C. El adaptador no se debe usar si tiene disponible un receptáculo de tres orificios.



4. Uso previsto

- ▶ Este producto es apto para proporcionar calor y calentar una habitación, además de crear un ambiente visual. No está hecho para usarse como una fuente de calor principal.
- ▶ Este producto está hecho solo para uso doméstico. No está hecho para uso comercial.
- ▶ Este producto se debe instalar sobre un muro o empotrado en un muro dentro de un espacio en el mismo. **NO ES APTO PARA USARSE COMO ELECTRODOMÉSTICO DE MOVIMIENTO LIBRE.** Usar este producto cualquier otra posición podría provocar peligros.
- ▶ No se aceptará responsabilidad alguna por daños provocados por un uso inadecuado o por no cumplir con estas instrucciones.

5. Antes de Usar por Primera Vez

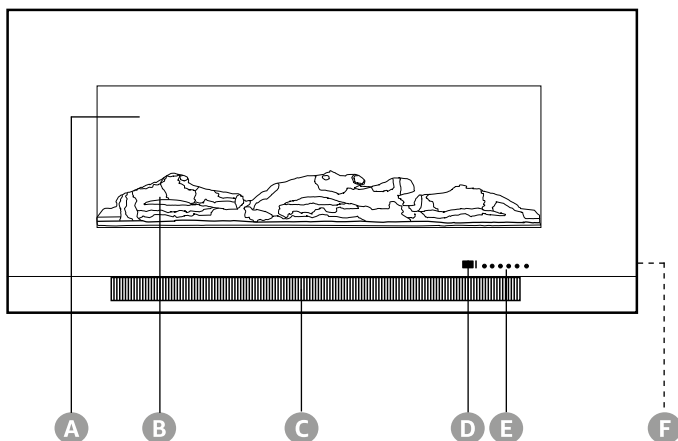
⚠ PELIGRO ¡Riesgo de asfixia!

Mantenga los materiales de empaque lejos de los niños, ya que estos materiales son una posible fuente de peligro (asfixia).

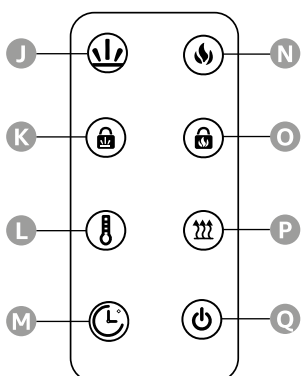
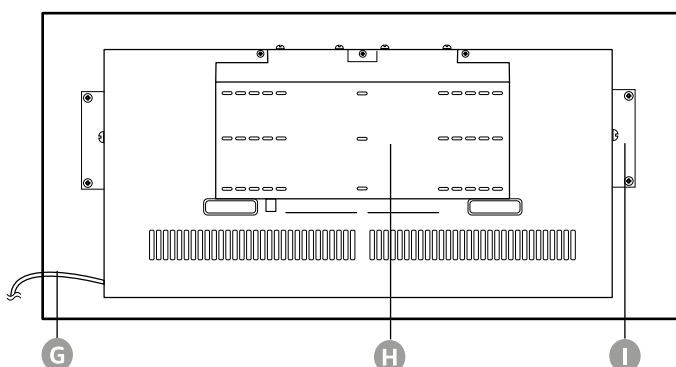
- ▶ Revise que el producto no haya sufrido daños durante su transporte.
- ▶ Se recomienda usar el producto en un circuito dedicado de 15 A.
- ▶ Saque todos los materiales del empaque, incluido el empaque que está adentro de la caja de fuego que se encuentra detrás del panel visual de vidrio (A) como se indica en el paso 1 de la instalación B.
- ▶ Antes de conectar el producto al suministro de alimentación, revise que el voltaje y la clasificación de la corriente concuerden con los detalles indicados en la etiqueta de clasificación del producto.
- ▶ Saque la cinta protectora del compartimiento de la batería del control remoto.

6. Descripción del producto

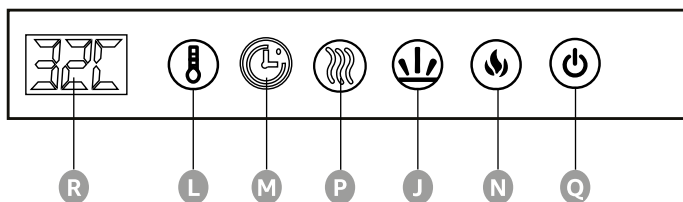
Frente



Atrás



Controles táctiles



- A Panel visual
- B Troncos
- C Ventilaciones de calefacción
- D Pantalla
- E Controles táctiles
- F Interruptor de encendido/apagado
- G Cable de alimentación con clavija
- H Soporte de montaje para pared
- I Soporte de montaje para empotrar
- J Botón del color del ámbar
- K Botón de bloqueo del ámbar
- L Botón de temperatura
- M Botón del temporizador
- N Botón del color de la llama
- O Botón de bloqueo de la llama
- P Botón del nivel de potencia
- Q Botón del modo espera

7. Consejos de instalación

⚠ ADVERTENCIA

No instalar el producto según lo indicado en el manual puede provocar daños al producto o podría exponer al usuario a riesgos de incendio, descarga eléctrica o lesiones graves.

- Solo un adulto experimentado debe instalar y mantener este producto. Si tiene dudas, consulte a un profesional.
- Antes de instalarlo, determine una ubicación adecuada. El producto debe fijarse a un muro de madera o tabiquería/concreto, usando elementos de fijación aptos para la superficie de montaje.
- No instale el producto en paredes de yeso, bordes de murallas o madera terciada delgada. La superficie de montaje debe ser capaz de resistir el peso del producto.
- Para tener mejores resultados, instale el producto de manera tal que no quede expuesto directamente a la luz solar.
- Para evitar tener que realizar una reconstrucción, instale el producto cerca de una toma de corriente correctamente conectada a tierra.
- No perforo tuberías ni cables de energía debajo de la superficie durante la preparación de los orificios de montaje. Use un detector de metal/voltaje.
- El soporte de montaje para pared (H) viene unido al producto de fábrica. Sáquelo antes de instalarlo.

Para una instalación empotrada B: Para poder encender y apagar el producto, la toma de corriente debe estar cableada a un interruptor de 16 A de dos polos accesible.

8. Funcionamiento

8.1 Encendido/apagado

1. Conecte el cable de alimentación con clavija (G) a una toma de corriente apta.
2. Mueva el interruptor de encendido (F) a la posición "I" (producto encendido). El producto emite un bip y la pantalla (D) indica U1.2. El producto ahora está en modo espera.
3. Presione el botón del modo espera (Q) para encender el producto.

AVISO La pantalla se apagará tras aproximadamente 7 segundos si no se presiona ningún otro botón.

4. Para apagar el producto, presione el botón del modo espera (Q) nuevamente.

AVISO

- Podrá ver la temperatura actual de la habitación si presiona cualquier botón del control remoto o controles táctiles (E) una vez. Para seleccionar una función, presione el mismo botón dos veces.
- Podría haber un rastro de mal olor durante los primeros minutos de uso, o tras un periodo de almacenamiento. Esto es normal y desaparece rápidamente.
- Si el producto no se utilizará durante un largo periodo de tiempo:

Para la instalación en muro A: Mueva el interruptor de encendido (F) a la posición "0" y saque la clavija (G) de la toma de corriente.

Para una instalación empotrada B: Coloque el interruptor de pared en la posición de apagado.

8.2 Ajuste de la temperatura

- Presione el botón de temperatura (L) reiteradamente hasta haber seleccionado la temperatura deseada.
- El rango de temperatura va entre 62 - 86 °F (17 - 30 °C).
- Cuando la habitación alcance la temperatura configurada, la función calefactora se apagará automáticamente.
- Si el producto detecta una baja de temperatura, la función calefactora se reanuda automáticamente.

8.3 Cambio del nivel de potencia

Presione el botón del nivel de potencia (P) para alternar entre los distintos ajustes de potencia. La pantalla (D) muestra los siguientes símbolos para indicar el nivel de potencia seleccionado.

LO	650 W	Potencia baja
HI	1300 W	Potencia alta

8.4 Cambio del color de la llama

- Presione el botón del color de la llama (N) reiteradamente hasta seleccionar el color deseado.
- La pantalla (D) muestra el código para indicar el color seleccionado.
- Al usar el modo **F0**, presione el botón de bloqueo de la llama (O) en cualquier momento para detener el ciclo. Presione el botón de bloqueo de la llama (O) nuevamente para continuar.

F1	Naranja
F2	Naranja y verde
F3	Verde
F4	Verde y azul
F5	Azul
F6	Azul y naranja
F7	Azul, naranja y verde
F8	Azul y rojo
F9	Rojo
F0	Alterna entre todos los colores

8.5 Cambio del color del ámbar

- Presione el botón del ámbar (J) reiteradamente hasta seleccionar el color deseado.
- La pantalla (D) muestra el código para indicar el color seleccionado.
- Al usar el modo **C0**, presione el botón de bloqueo del ámbar (K) en cualquier momento para detener el ciclo. Presione el botón de bloqueo del ámbar (K) nuevamente para continuar.

C1	Rojo
C2	Azul
C3	Verde
C4	Rojo rosa
C5	Naranja
C6	Blanco
C7	Púrpura
C8	Amarillo
C9	Celeste
C0	Alterna entre todos los colores

8.6 Configuración del temporizador

- Presione el botón del temporizador (M) reiteradamente hasta seleccionar el tiempo deseado.
- La pantalla (D) indica el tiempo seleccionado durante 7 segundos y luego muestra la temperatura de la habitación. El temporizador comienza la cuenta regresiva automáticamente.
- La función temporizador se puede configurar entre 1 - 9 horas.
- Para apagar el temporizador, presione el botón del temporizador (M) reiteradamente hasta que la pantalla (D) muestre ---.

8.7 Cambio entre Fahrenheit y Celsius

- Mantenga presionado el botón de temperatura (L) en el panel de control durante 5 segundos.
- La pantalla (D) cambia para mostrar el ajuste deseado.
- Repita los pasos anteriores para volver al ajuste original.

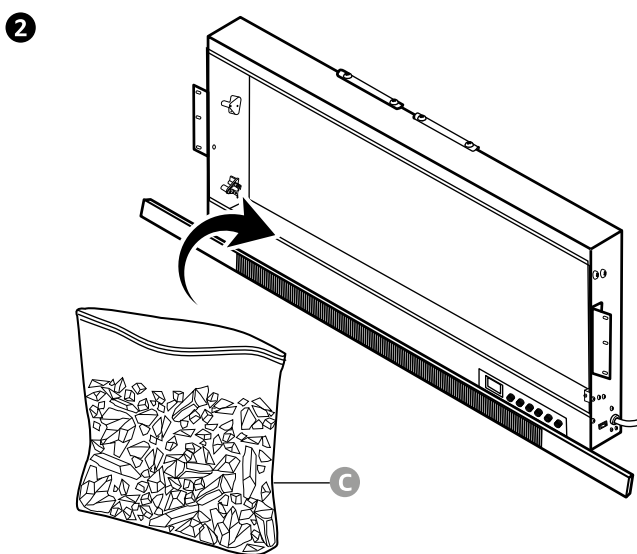
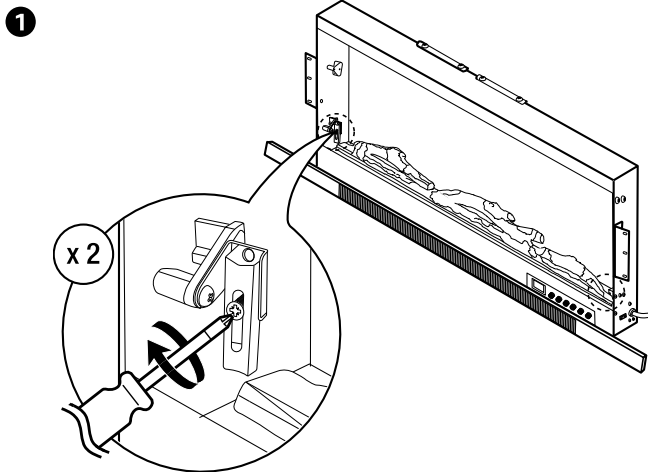
8.8 Cambio entre troncos y cristales

⚠ ADVERTENCIA ¡Riesgo de quemaduras!

Algunas piezas de este producto pueden calentarse mucho y provocar quemaduras. Asegúrese de que el producto se haya enfriado y esté apagado antes de cambiar los troncos y cristales.

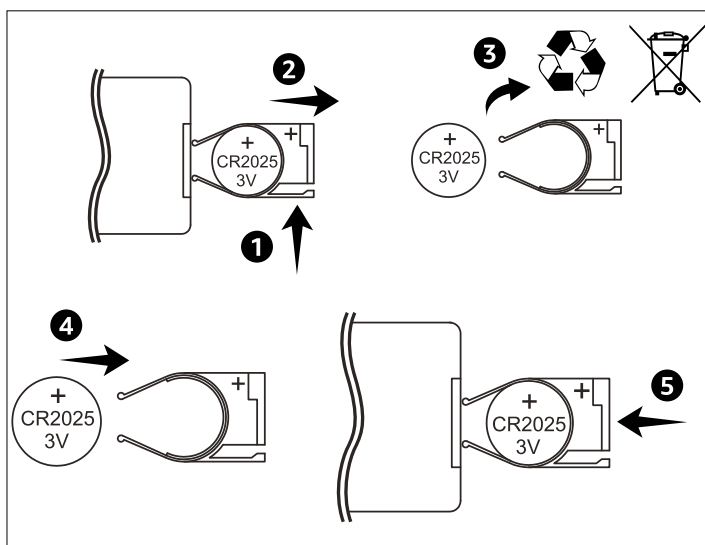
Cambie el aspecto del producto quitando los troncos instalados (B) detrás del panel visual (A).

- Saque el panel visual (A) como se indica en el paso 1 de la instalación **B**.
- Continúe con los siguientes 2 pasos para sacar los tornillos y troncos; luego, coloque los cristales (C) de forma pareja en el borde del panel.



9. Cambio de Batería

1. Saque el soporte de la batería del control remoto.
2. Cambie la batería usada por una batería CR2025 de 3 V nueva. El polo positivo (+) debe apuntar hacia arriba.



10. Limpieza y Mantenimiento

⚠ ADVERTENCIA ¡Riesgo de descarga eléctrica! Para evitar descargas eléctricas:

Para la instalación en muro A: Mueva el interruptor de encendido (F) a la posición "0" y saque la clavija (G) de la toma de corriente.

Para la instalación empotrada B y C: Coloque el interruptor de pared en la posición de apagado.

10.1 Limpieza

AVISO Limpie el producto con regularidad para evitar la acumulación de cabellos, polvo o pelusas alrededor de las ventilaciones de calefacción (C), ya que esto podría provocar que la toma quede bloqueada.

- ▶ Para limpiar el producto, use un paño suave y levemente humedecido.
- ▶ Jamás use detergentes corrosivos, cepillos de alambre, escobillas abrasivas, ni utensilios metálicos o afilados para limpiar el producto.
- ▶ No rocíe líquidos directamente sobre las superficies del producto.

10.2 Mantenimiento

Cualquier otra reparación no mencionada en este manual se debe realizar mediante personal de servicio calificado.

11. Resolución de Problemas

Problema	Solución
El producto no enciende.	<ul style="list-style-type: none"> ▶ Verifique que el enchufe esté conectado a una toma de corriente adecuada. Verifique que la toma de corriente funcione. ▶ El producto se sobrecalienta y el dispositivo de seguridad térmica se activó. Apague el producto y vuelva a encenderlo después de 10 minutos.
La llama del panel visual no se mueve.	<ul style="list-style-type: none"> ▶ El motor de la llama está defectuoso. Contacte a un técnico de servicio calificado.
El producto se apaga automáticamente.	<ul style="list-style-type: none"> ▶ El producto se sobrecalienta y el dispositivo de seguridad térmica se activó. Apague el producto y vuelva a encenderlo después de 10 minutos.
El control remoto no funciona.	<ul style="list-style-type: none"> ▶ Baterías a punto de agotarse. Cambie la batería. ▶ Está muy lejos del producto o un objeto está bloqueando la vía. Acérquese o despeje la vía. ▶ El producto no está encendido. Encienda el producto desde el interruptor de encendido/apagado (F) o conéctelo a la toma de corriente.
La llama se ve tenue o apenas se ve, o bien los cristales no brillan.	<ul style="list-style-type: none"> ▶ Las luces LED del producto se quemaron o su cableado se soltó. Contacte a un técnico de servicio calificado.

12. Eliminación de la Batería



Nunca deseche las baterías usadas en los residuos domésticos. Llévelas a un lugar de recogida/eliminación adecuado.

13. Eliminación (solo para México)

La Ley General para la Prevención y Gestión Integral de Residuos (LGPGIR) tiene como propósito minimizar el impacto de los artículos eléctricos y electrónicos sobre el medioambiente, tanto aumentando la reutilización y reciclaje de los mismos como reduciendo la cantidad de desechos eléctricos que se arrojan en rellenos sanitarios. Este producto se debe desechar por separado de la basura doméstica una vez que concluya su ciclo de vida. Tome en cuenta que es su responsabilidad eliminar el equipo electrónico en los centros de reciclaje a fin de conservar los recursos naturales. Para ver información sobre su área de entrega de reciclaje, contacte a su autoridad de manejo de desechos electrónicos local, a la oficina de administración de su ciudad o a su servicio de eliminación de desechos domésticos local.

14. Especificaciones

Número de modelo:	BLT-999W-13/42"/EF-WM362 MO BLT-999W-13/50"/EF-WM363 MO BLT-999W-13/60"/EF-WM364 MO BLT-999W-13/72"/EF-WM365 MO
Voltaje nominal:	120 V CA 60 Hz
Consumo eléctrico según modo:	Lo (Bajo): 650 W (0.65 kW/hora) Hi (Alto): 1300 W (1.3 kW/hora)

14.1 Control remoto

Voltaje/tipo de batería:	1 x CR2025 (Litio) de 3 V ===
Rango:	16 pies (5 m), sin obstrucciones

15. Comentarios y ayuda

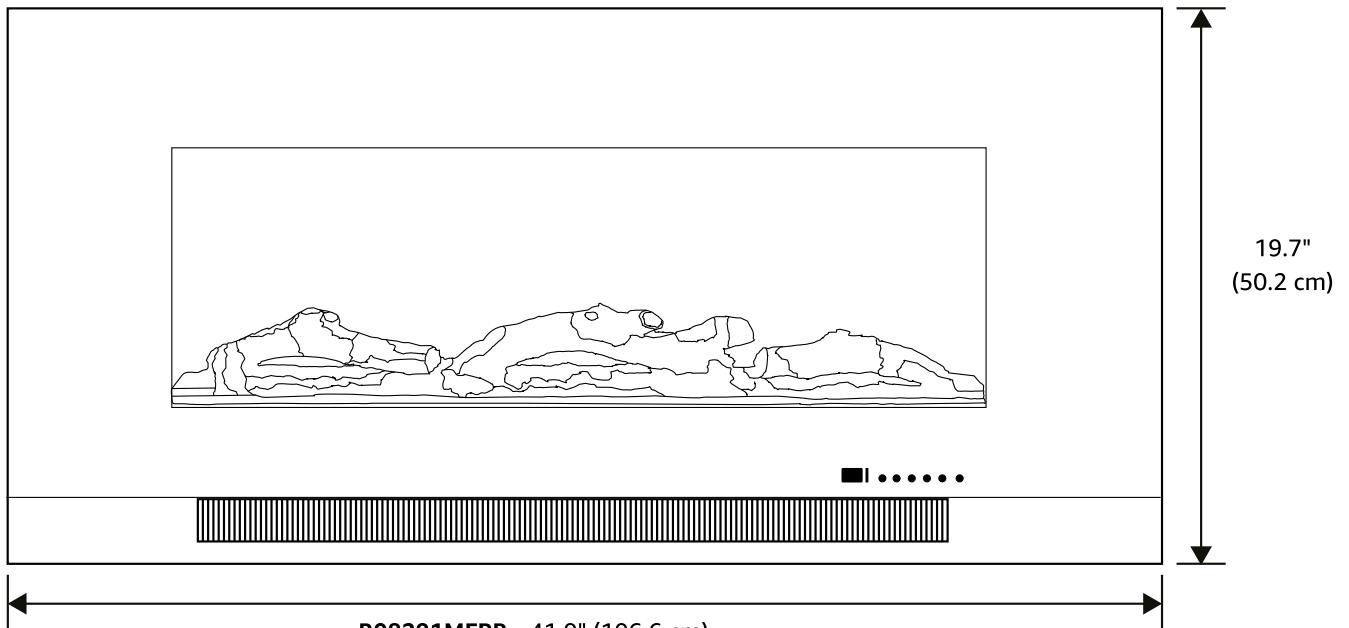
Extienda su garantía dejando un comentario

Queremos su opinión sobre su compra ... ¡y queremos que se lo cuente a todos!

Simplemente deje una reseña del producto en el sitio web del minorista donde realizó su compra, o en www.jrhome.com.com, y complete la garantía en línea en <https://www.jrhome.com/warranty-registration> para recibir un año adicional de protección de garantía.

Comuníquese con nosotros por correo electrónico a customercare@jrhome.com o llámenos sin cargo al **(800) 561-5550, de 7:30 a.m. a 4:00 p.m.**, hora del Pacífico, de lunes a viernes.

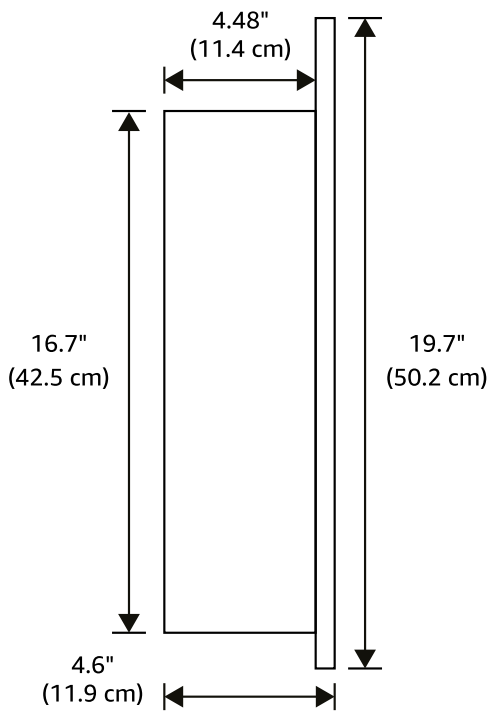
16. Dimensiones del producto



B08291MFPB - 41.9" (106.6 cm)

B08291VM5W - 50" (127 cm)

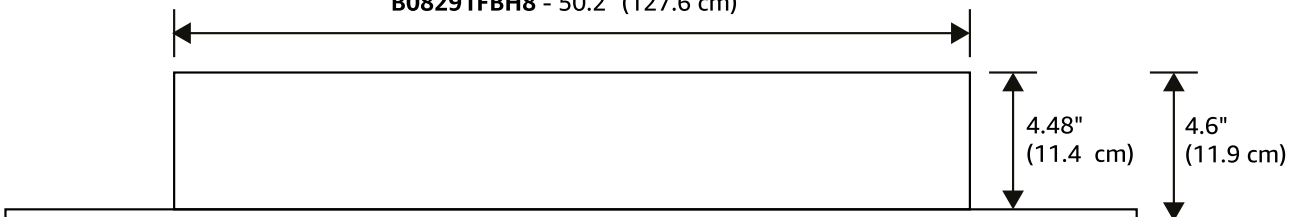
B08291FBH8 - 60" (152.4 cm)



B08291MFPB - 32" (81.5cm)

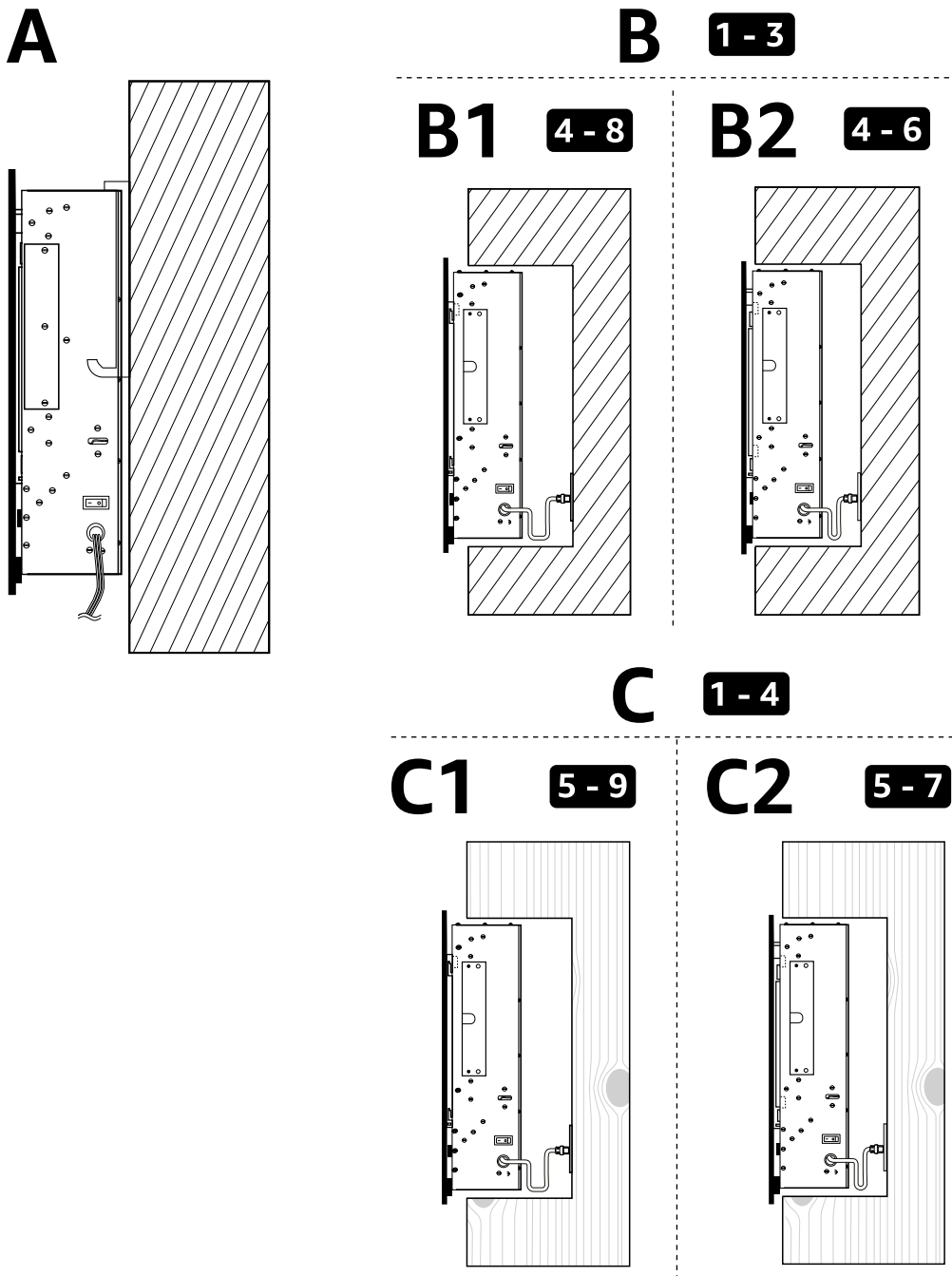
B08291VM5W - 40.2" (102.2 cm)

B08291FBH8 - 50.2" (127.6 cm)



17. Instalación

17.1 Tipo de instalación



A Montaje en Superficie

B1 Semiempotrado (pared de yeso)

B2 Totalmente empotrado (pared de yeso)

C1 Semiempotrado (viga de madera)

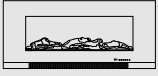
C2 Totalmente empotrado (viga de madera)



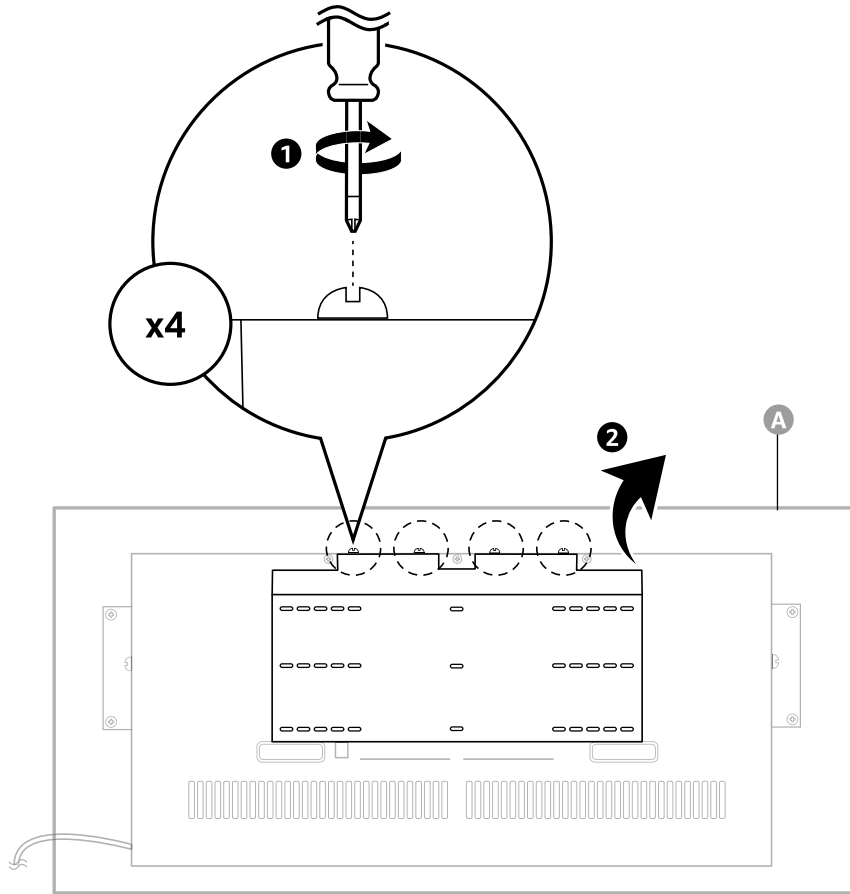
ES Montaje

A

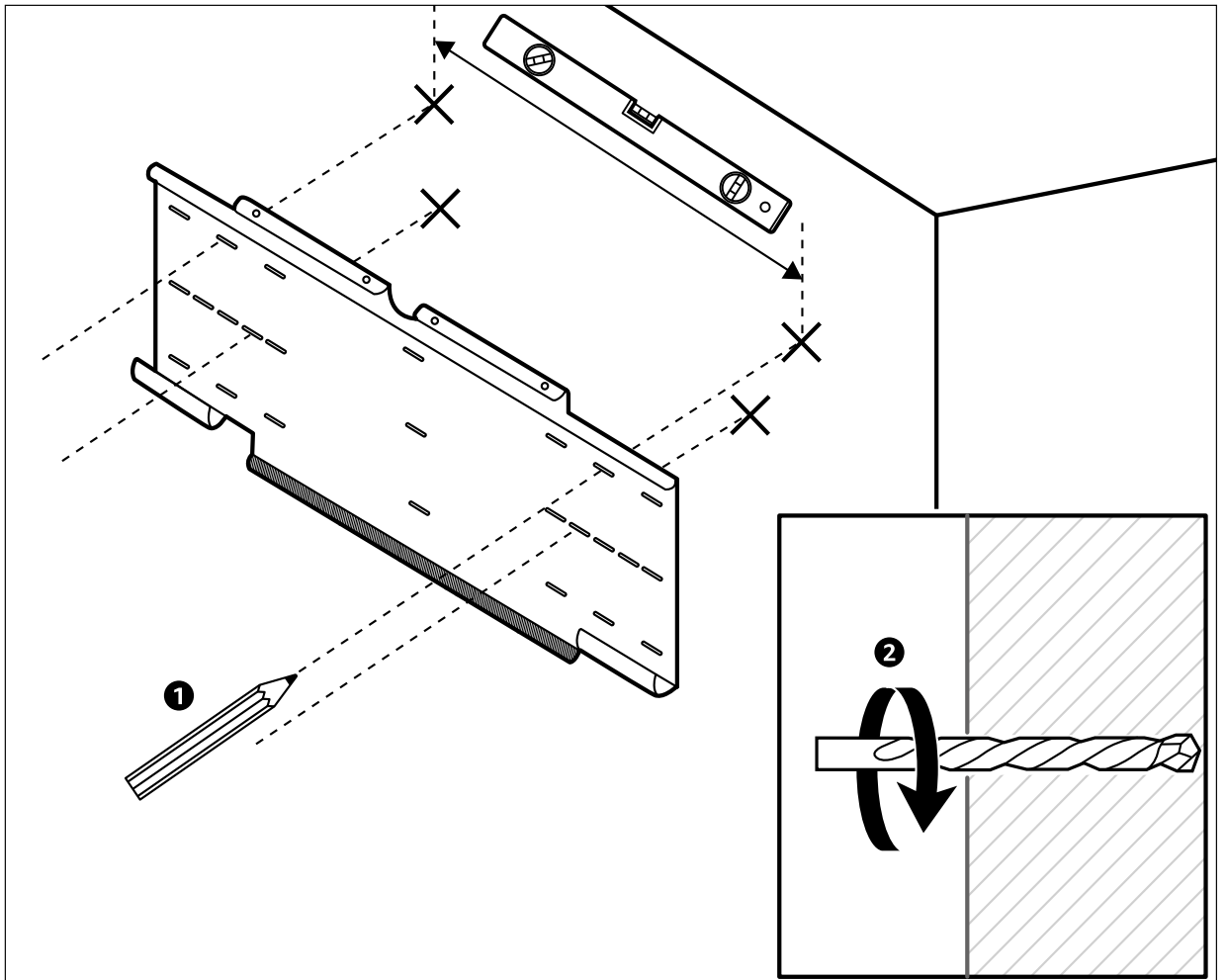
1



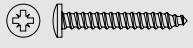
A (x 1)



2



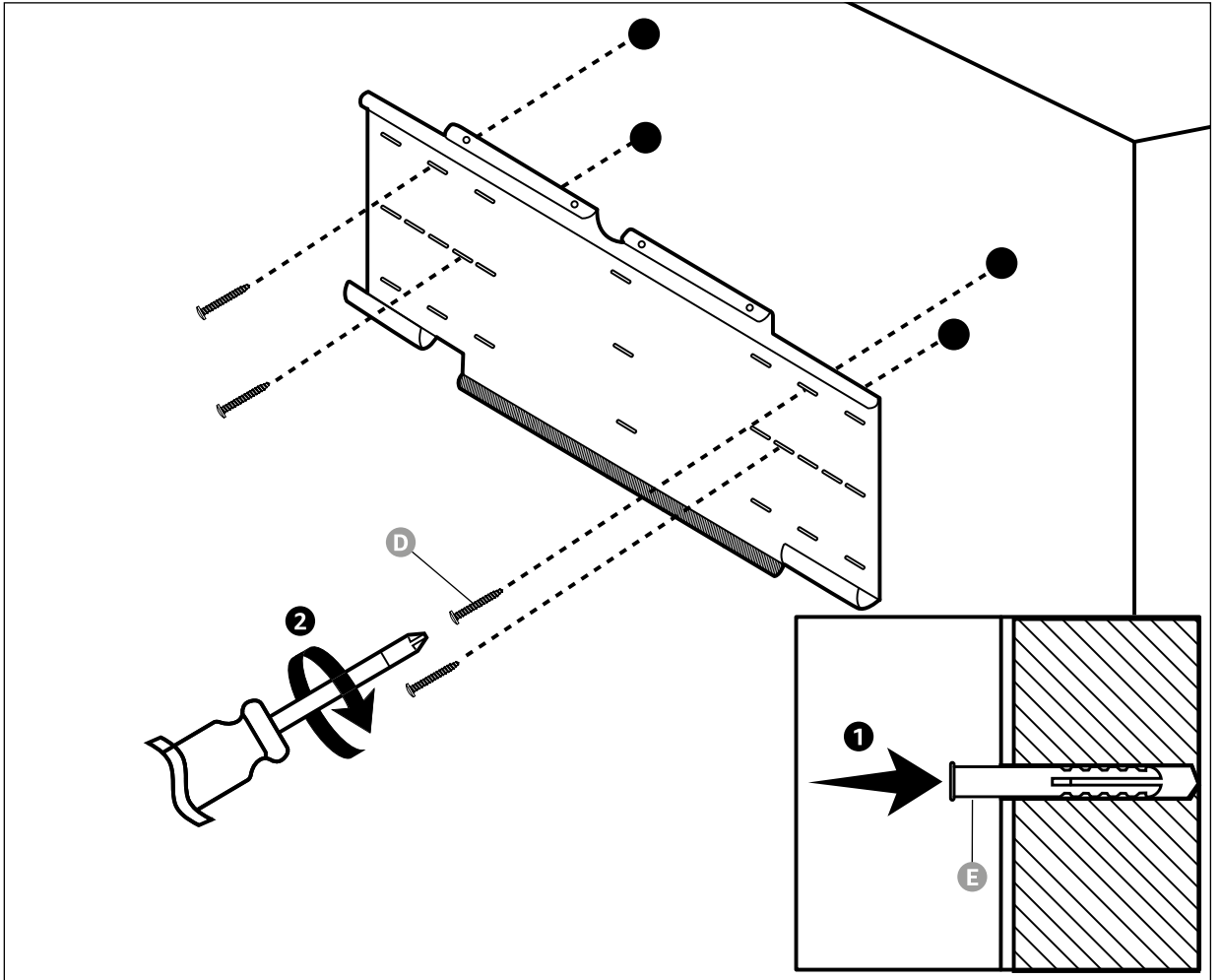
3



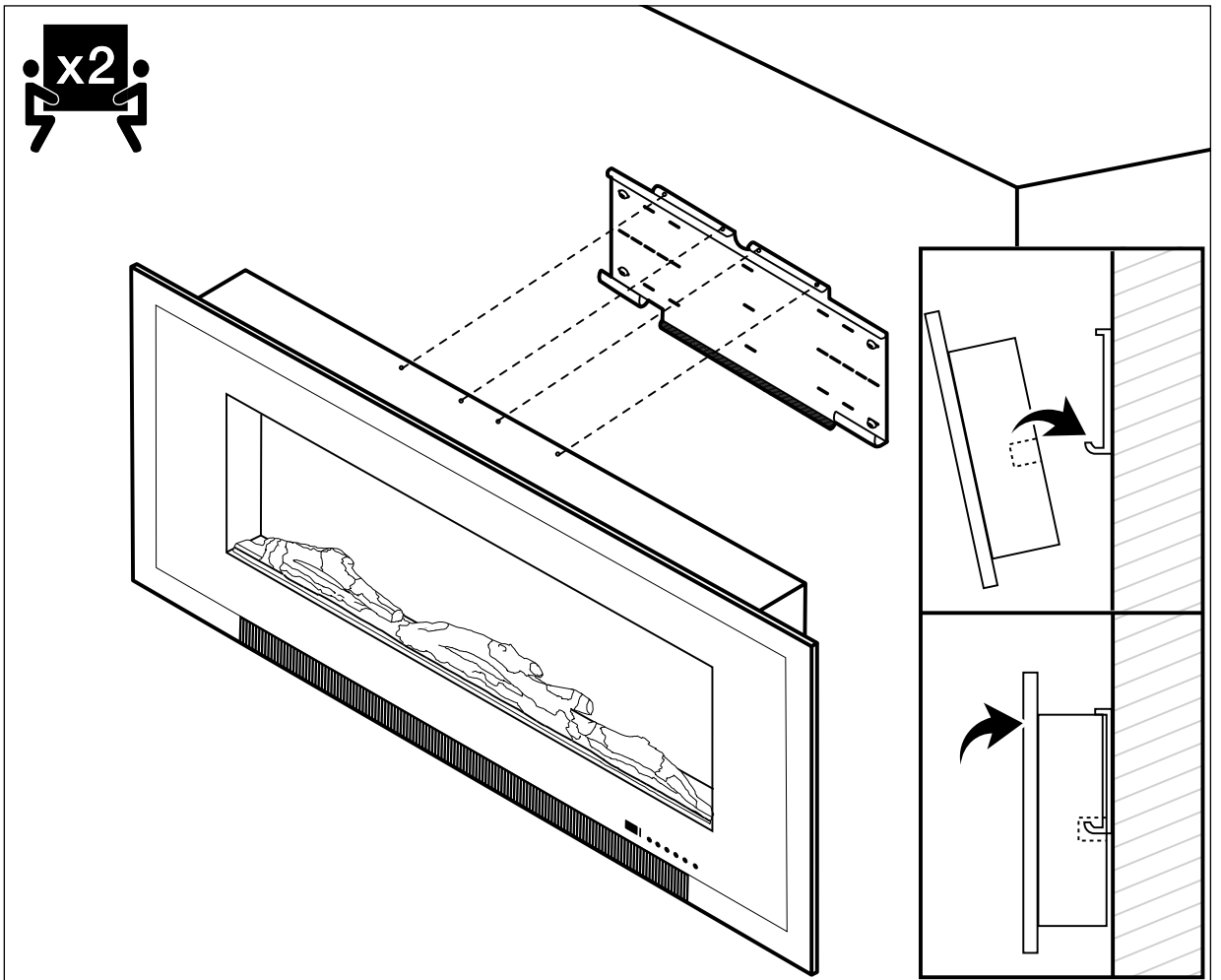
D (x 4)



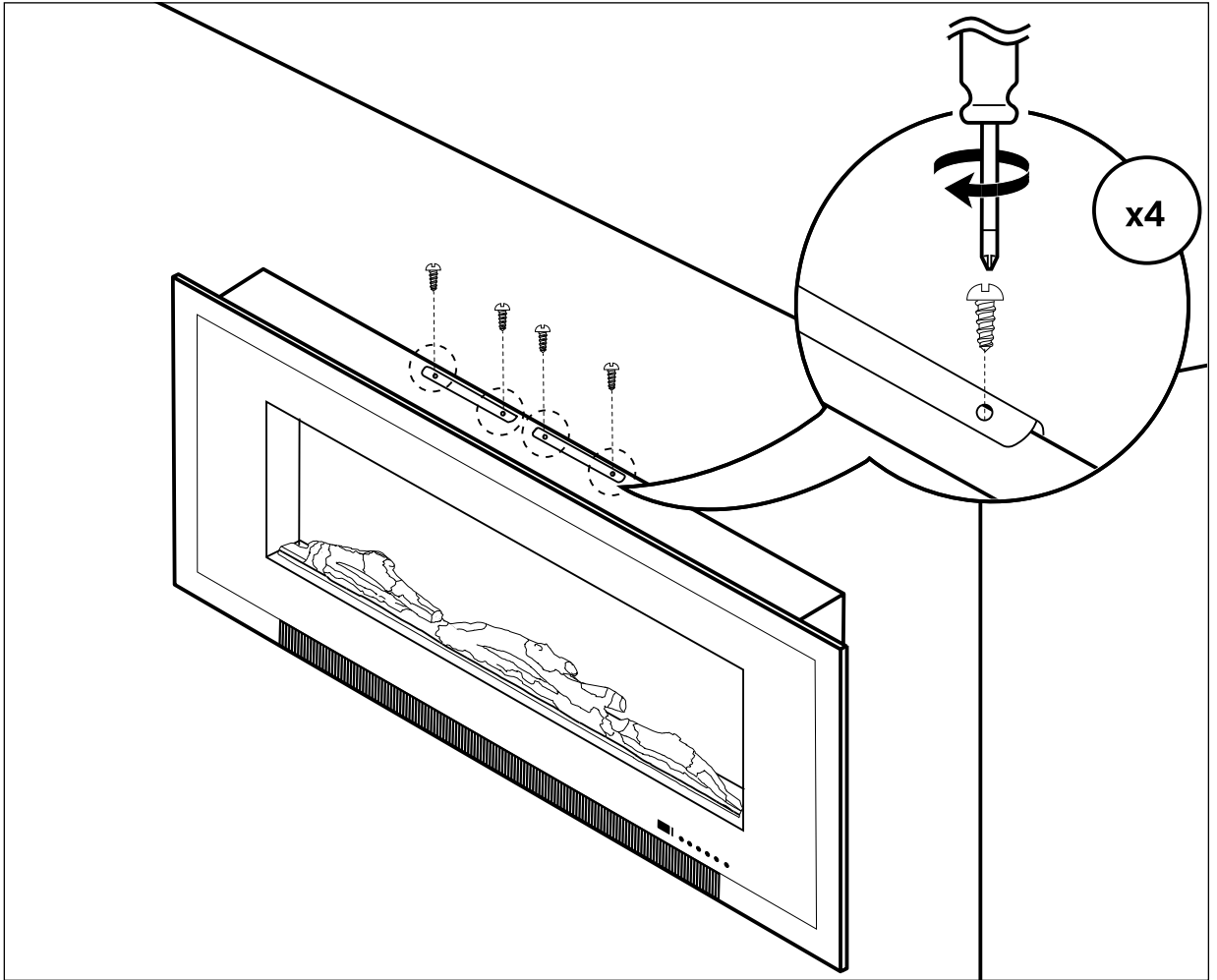
E (x 4)



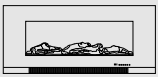
4



5

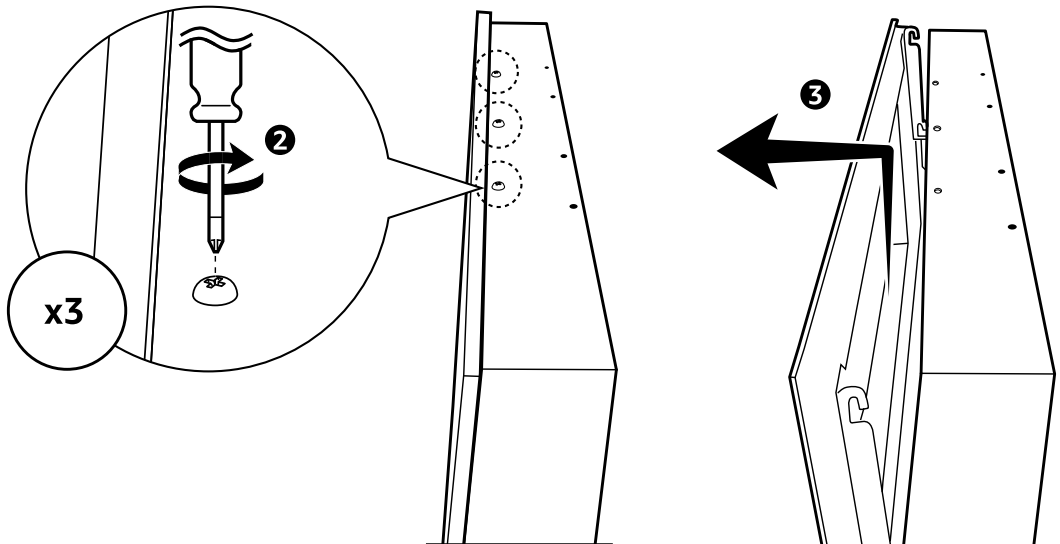
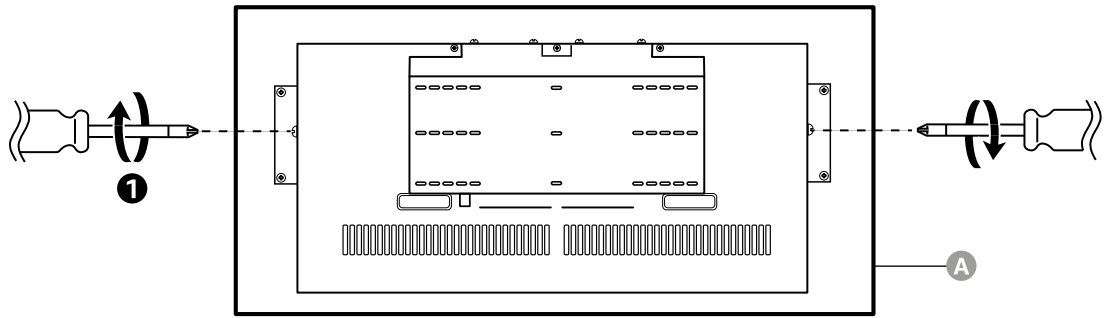


1



A (x 1)

B



2

AVISO Se debe instalar una toma dedicada al interior del espacio dentro del muro. Mantenga al menos 3.9 pulgadas (10 cm) de espacio entre la parte posterior del producto y la toma de corriente. La toma de corriente debe cablearse a un interruptor de 16 A de dos polos. Si tiene dudas, contacte a un electricista profesional.

AVISO Mueva el interruptor a la posición "I" (producto encendido) antes de fijar el producto al espacio dentro del muro.

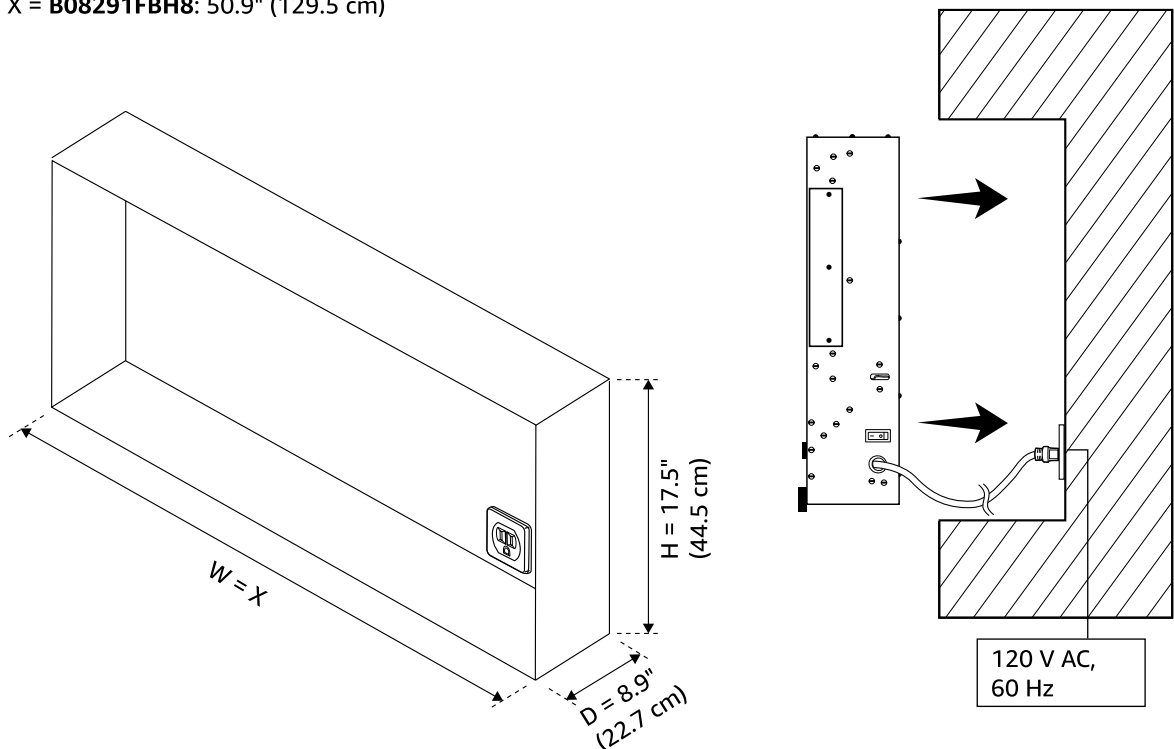


3

X = B08291MFPB: 32.8" (83.4 cm)

X = B08291VM5W: 40.9" (104.1 cm)

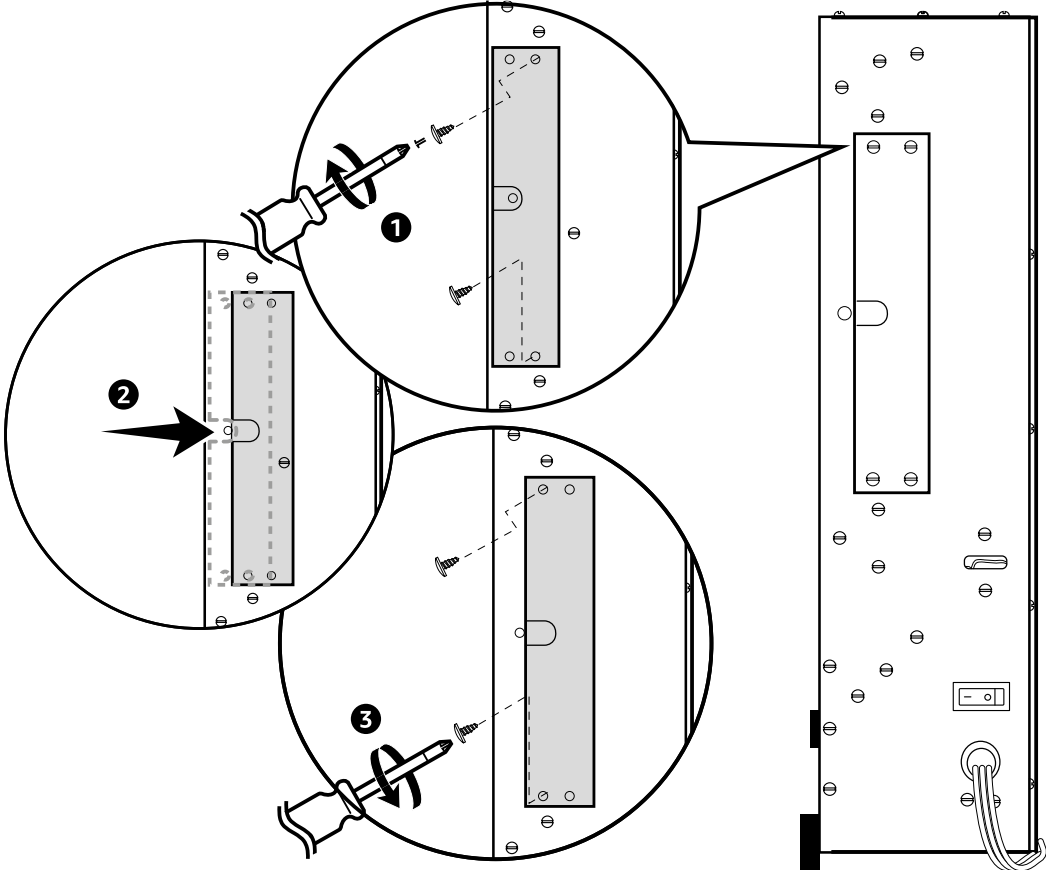
X = B08291FBH8: 50.9" (129.5 cm)



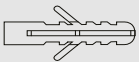
AVISO Evite tensar o doblar en extremo el cable de alimentación después de conectarlo. Coloque el cable de manera correcta antes de colocar el producto en el muro.

4

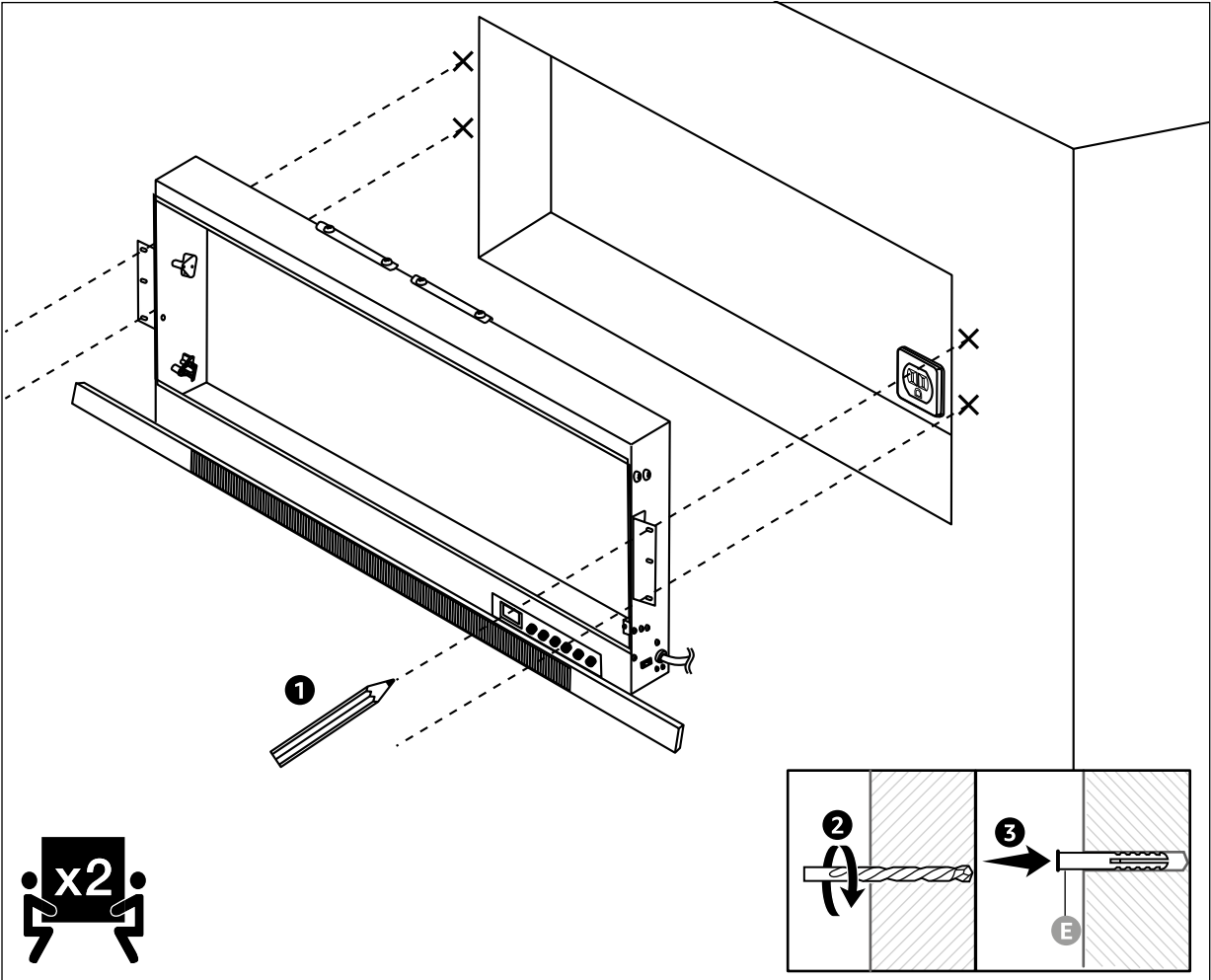
B1



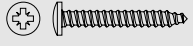
5



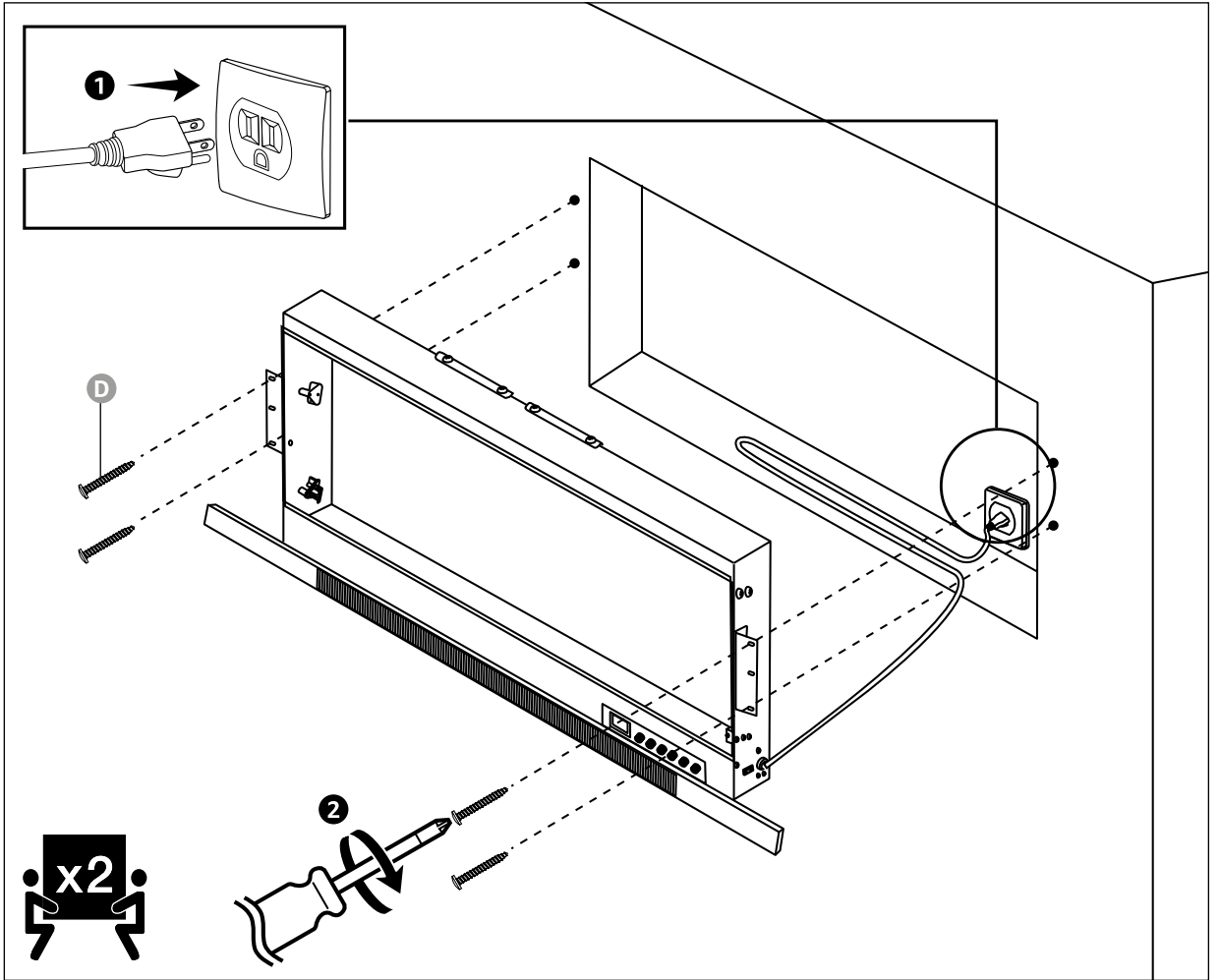
E (x 4)



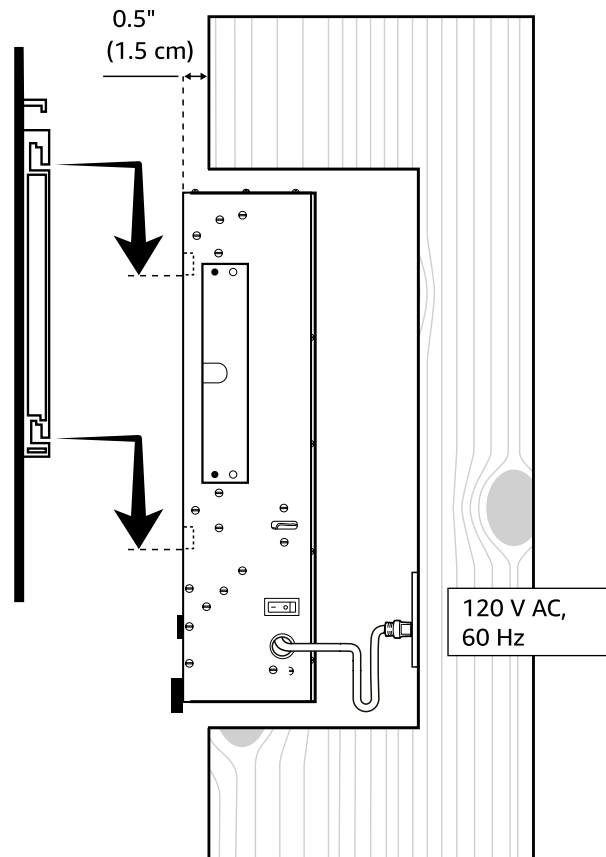
6

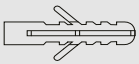
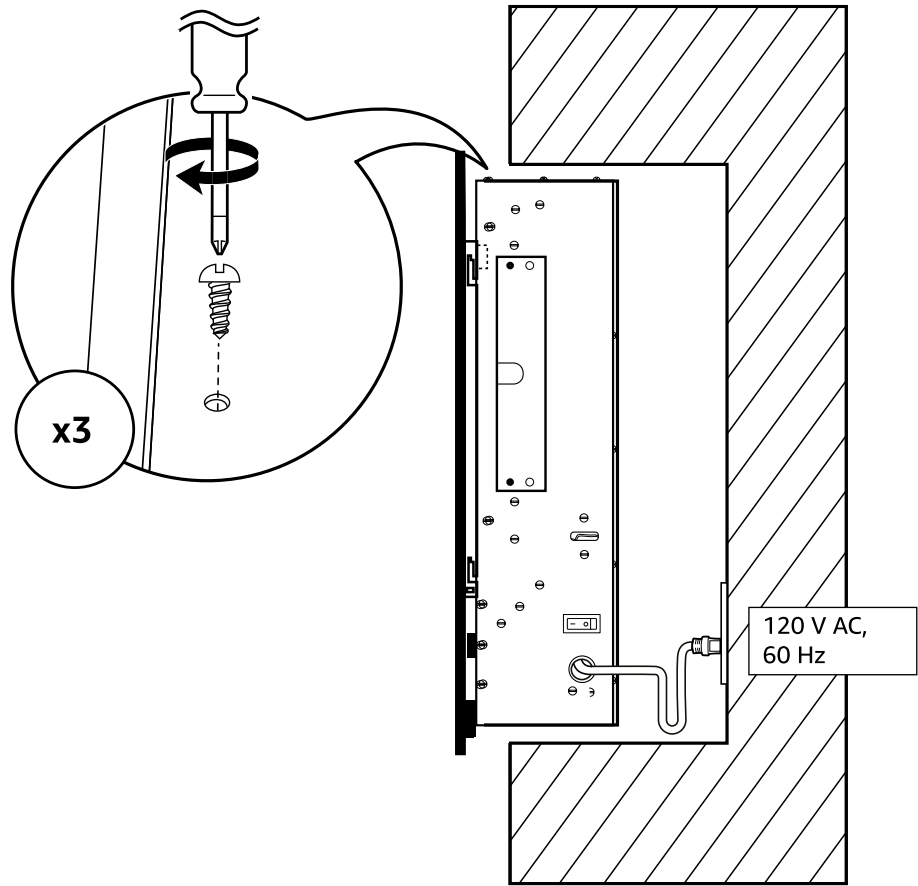


D (x 4)



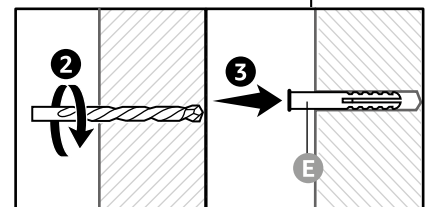
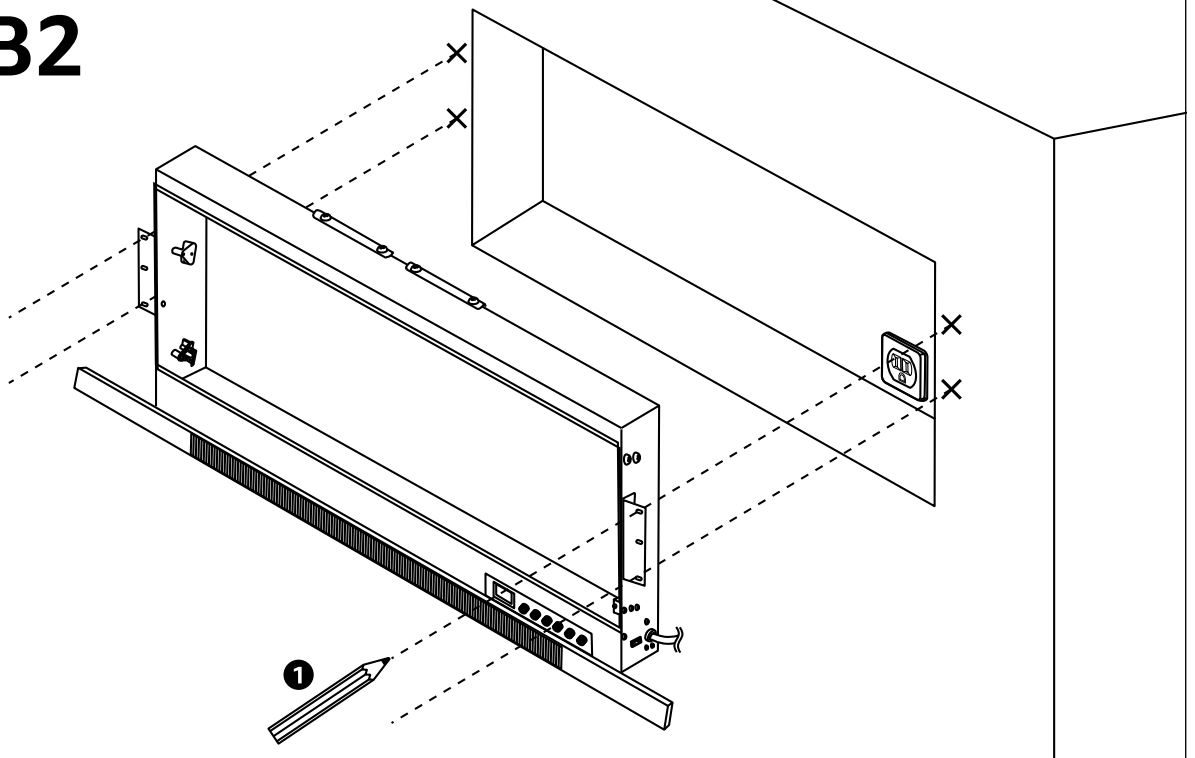
7



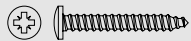


E (x 4)

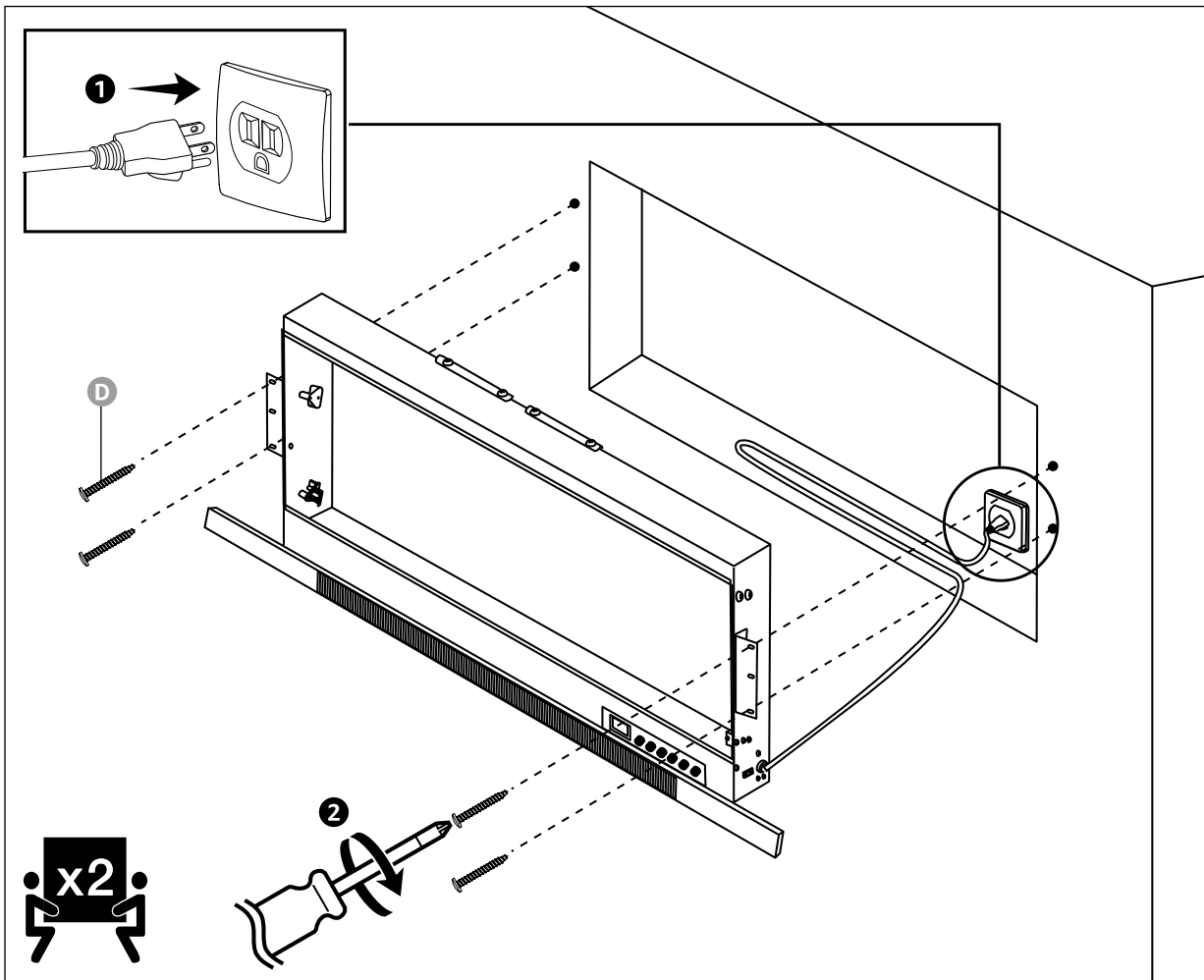
B2



5



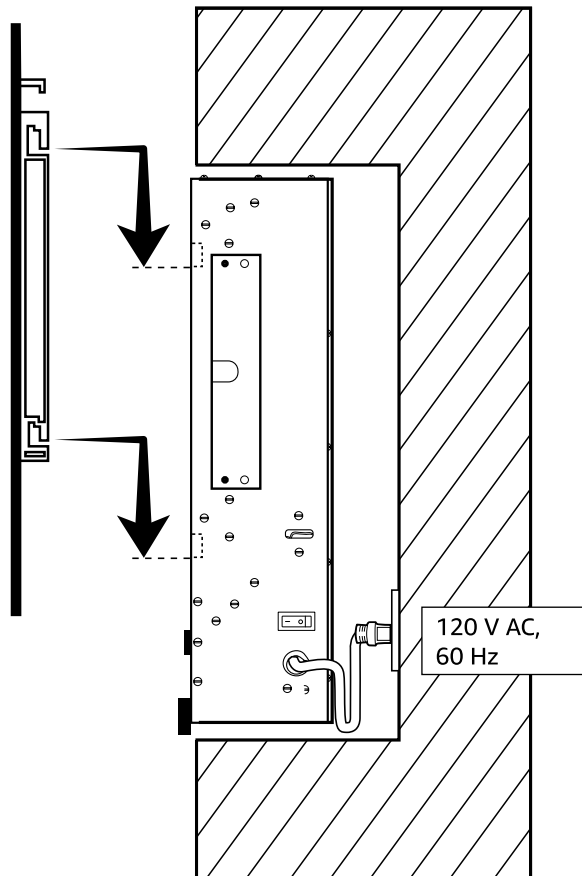
D (x 4)

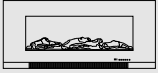


6

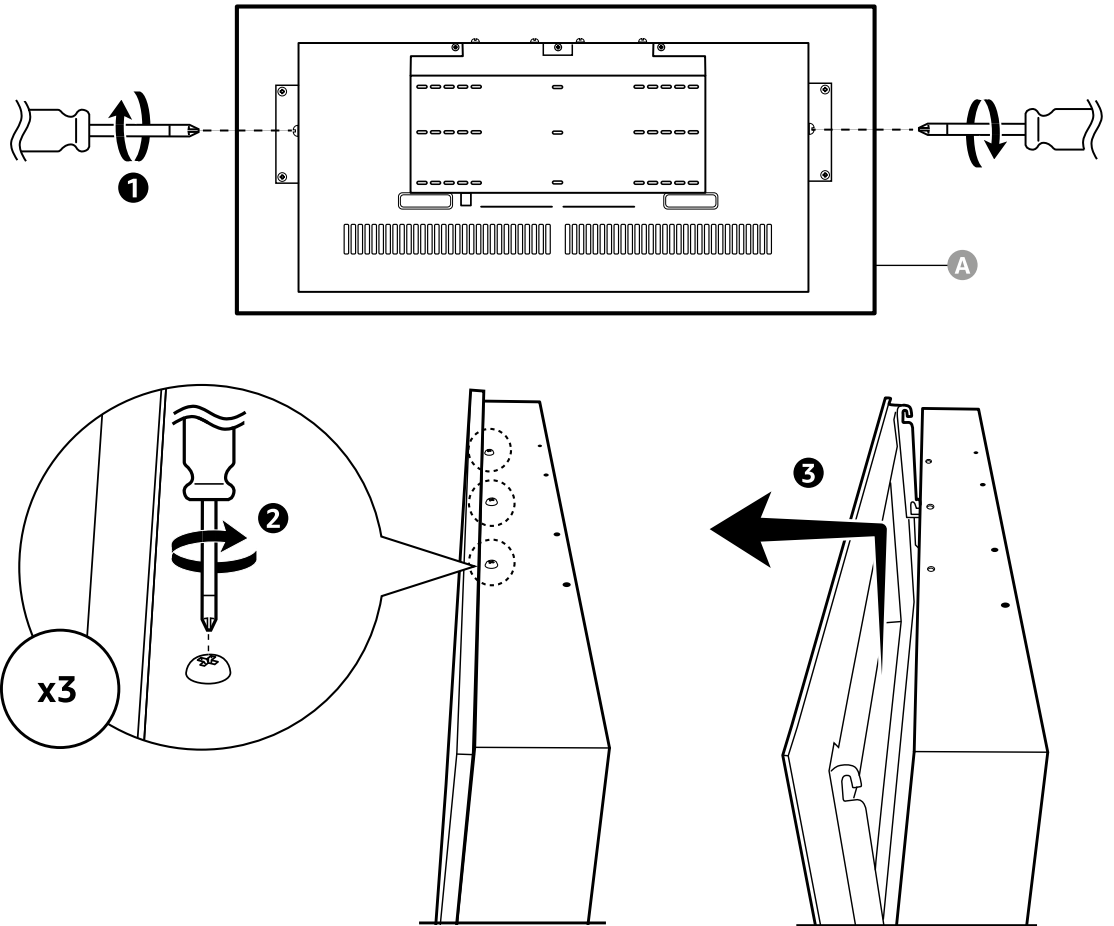


x2



1

A (x 1)

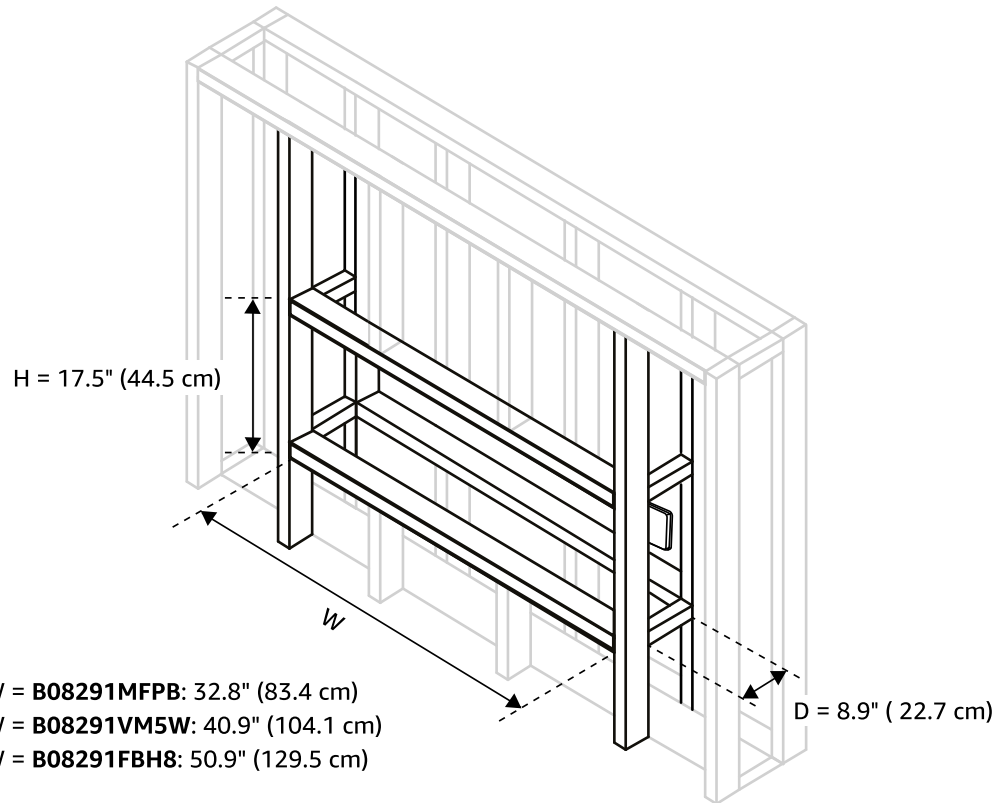
C**2**

AVISO Se debe instalar una toma dedicada dentro del espacio dentro del muro. Mantenga al menos 3.9 pulgadas (10 cm) de espacio entre la parte posterior del producto y la toma de corriente. La toma de corriente debe cablearse a un interruptor de 16 A de dos polos. Si tiene dudas, contacte a un electricista profesional.

AVISO Mueva el interruptor a la posición "I" (producto encendido) antes de fijar el producto al espacio dentro del muro.



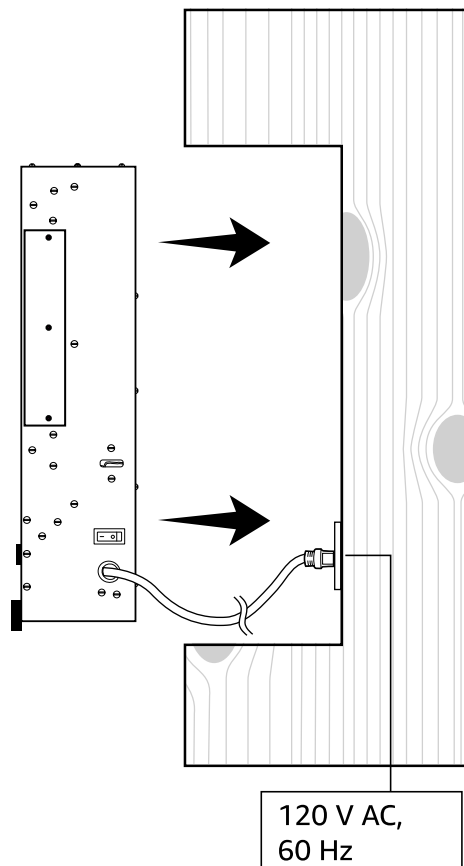
3



⚠ PRECAUCIÓN ¡Riesgo de lesiones o daños al producto!

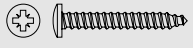
Elija un lugar con un mínimo de dos montantes de madera, capaces de soportar el peso del producto.

4

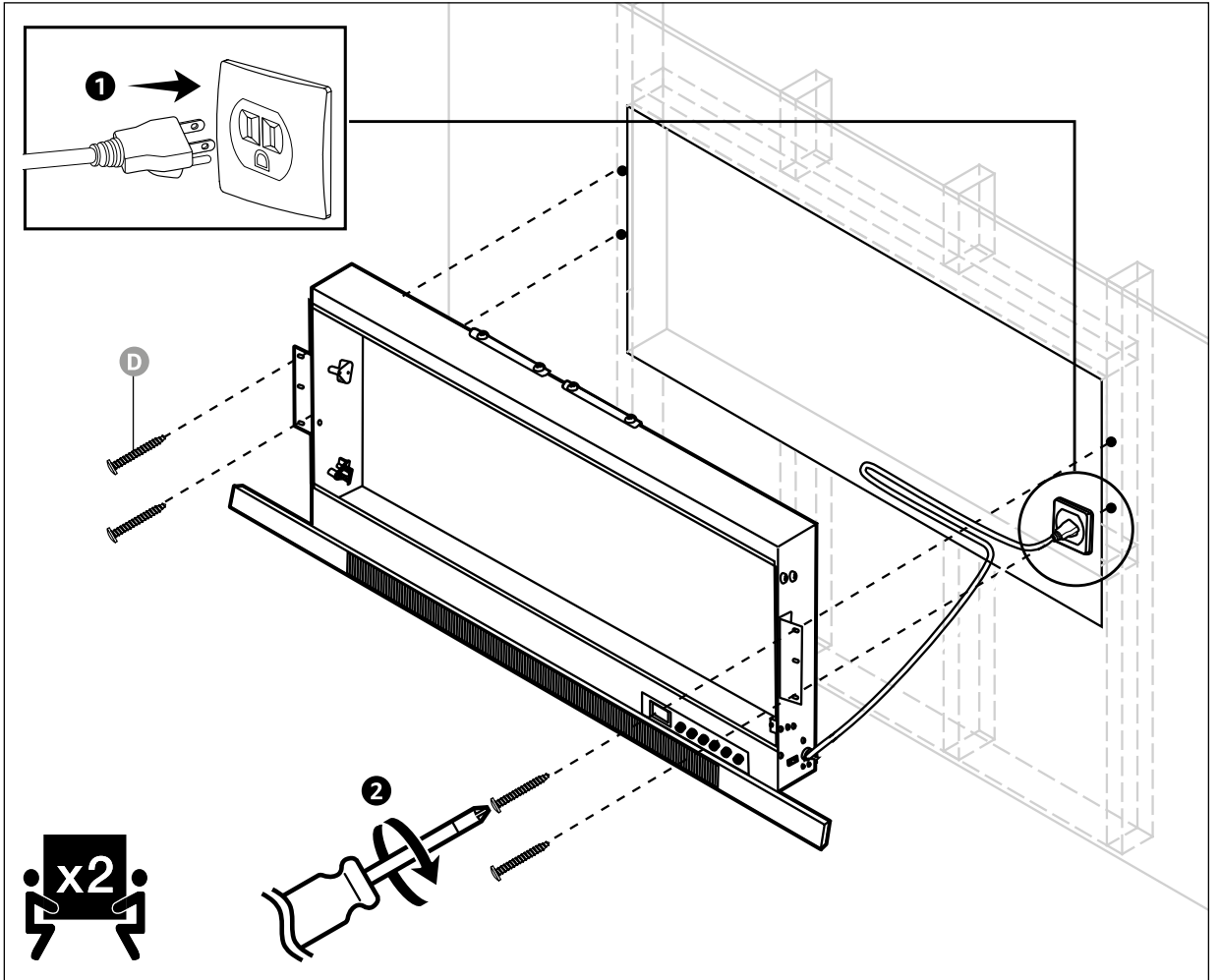


AVISO Evite tensar o doblar en extremo el cable de alimentación después de conectarlo. Coloque el cable de manera correcta antes de colocar el producto en el muro.

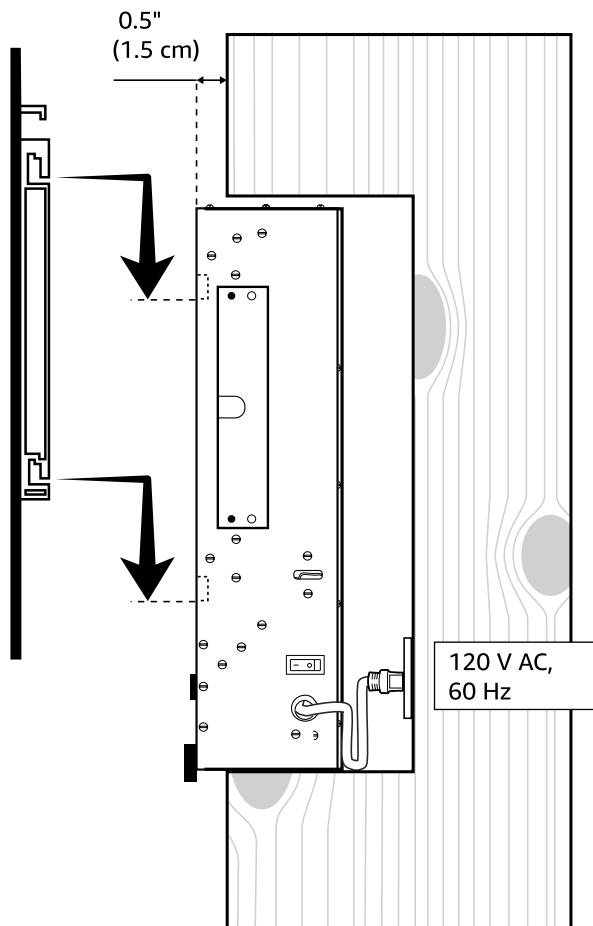
7

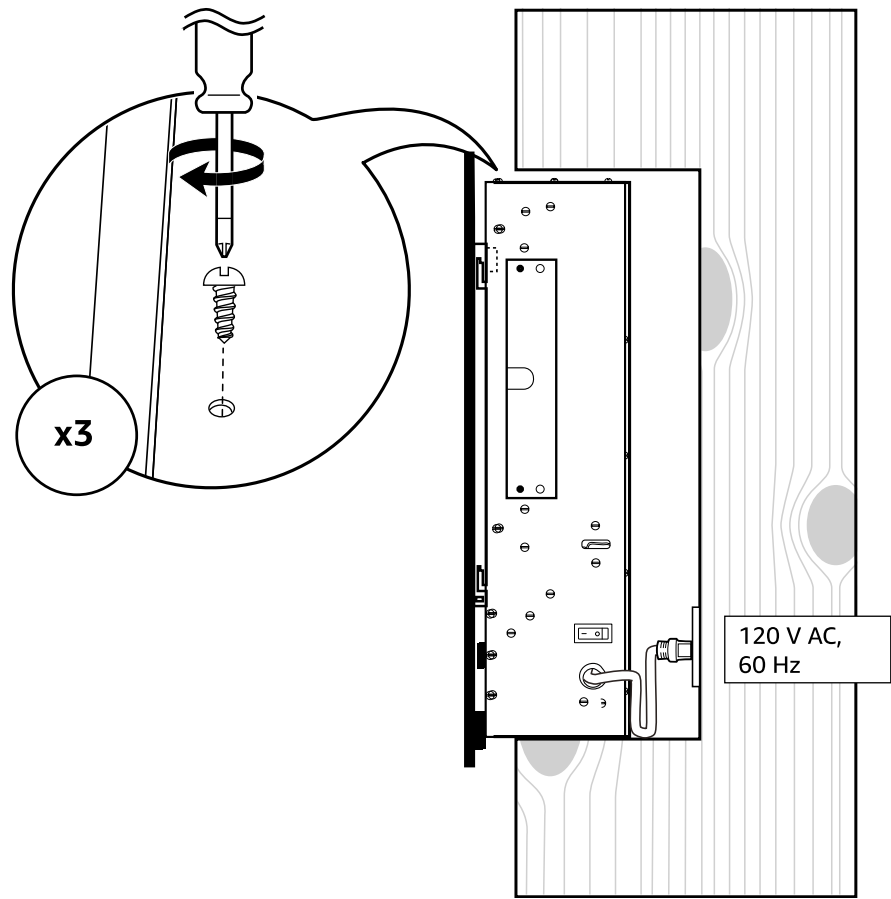


D (x 4)

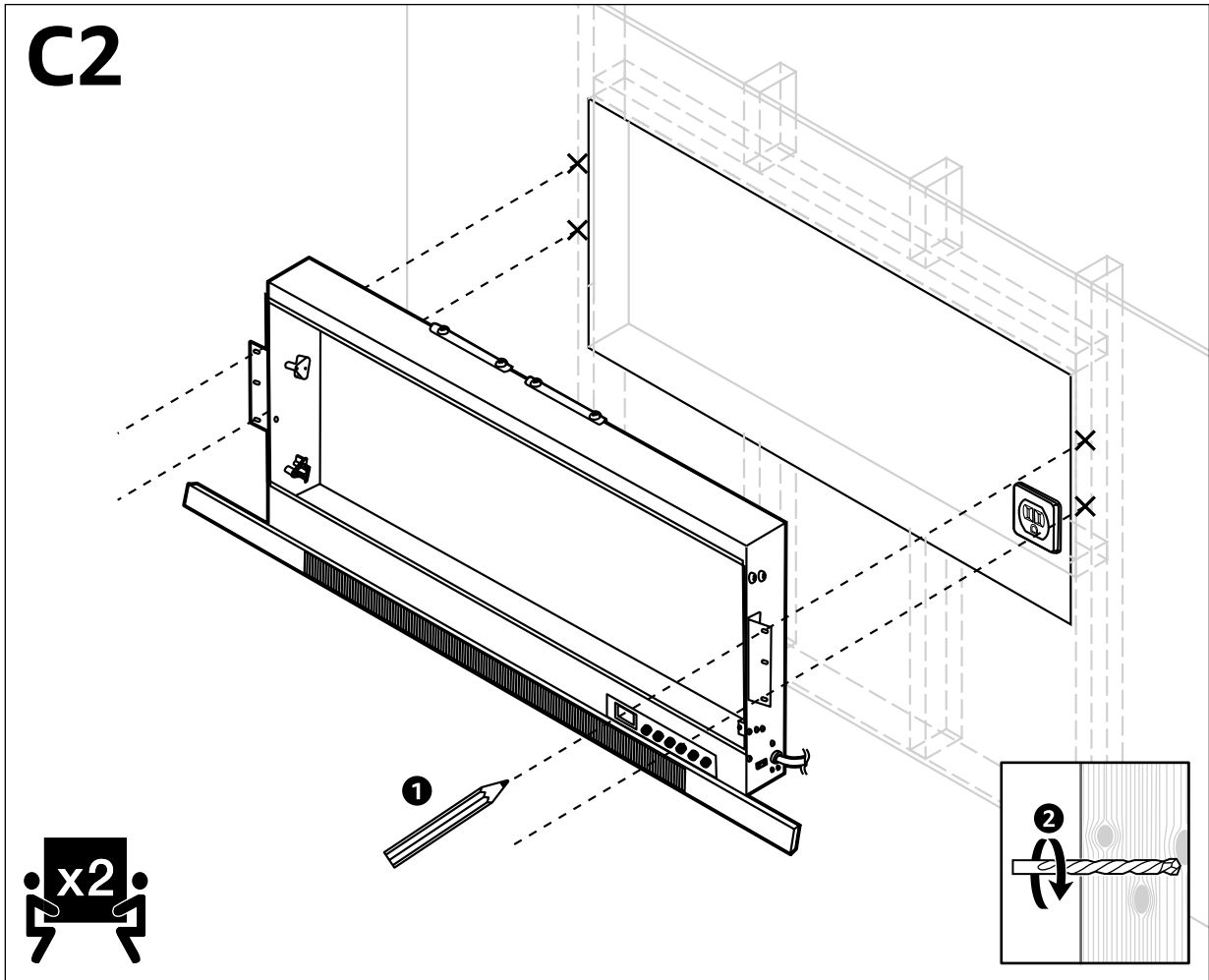


8

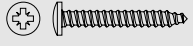




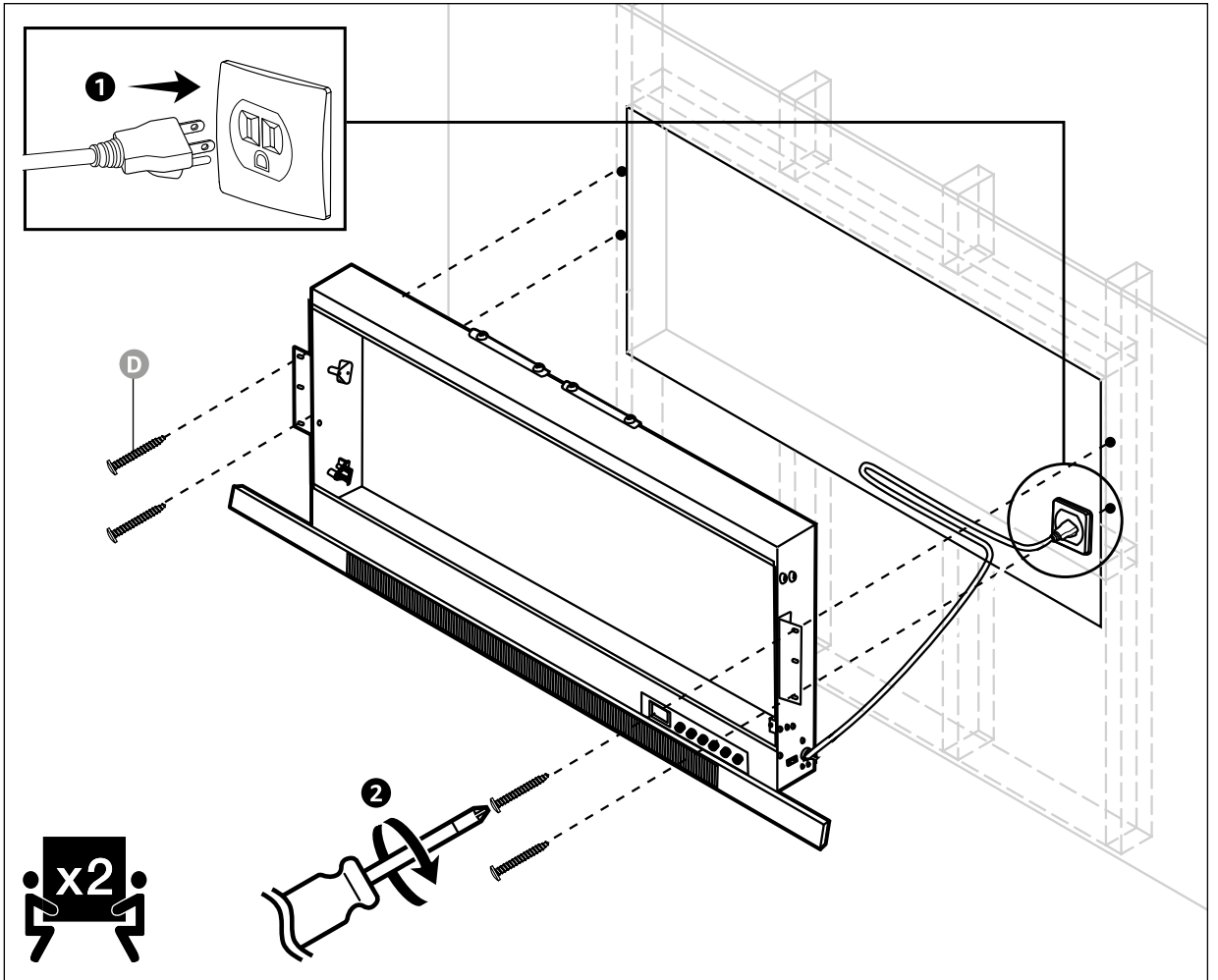
C2



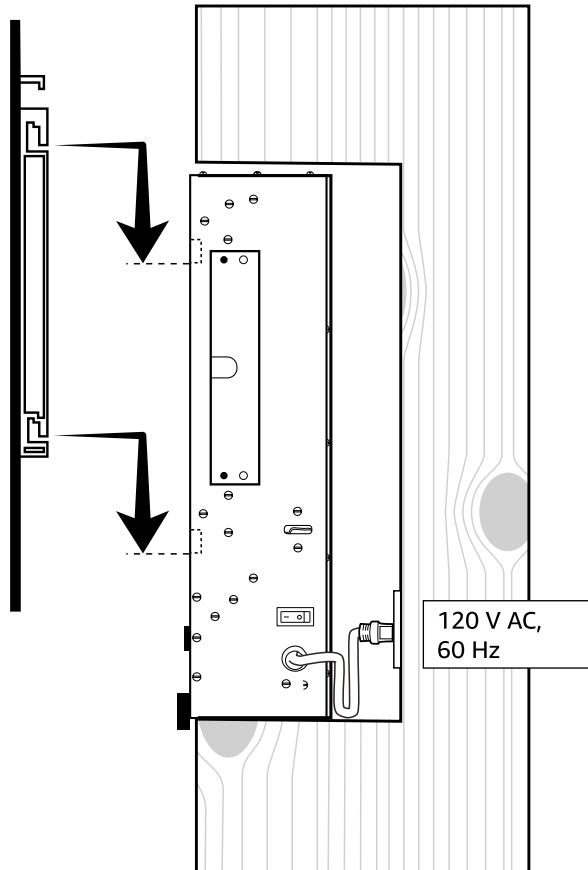
6



D (x 4)



7



amazon basics

amazon.com/AmazonBasics

MADE IN CHINA
FABRIQUÉ EN CHINE
HECHO EN CHINA

V03-03/24